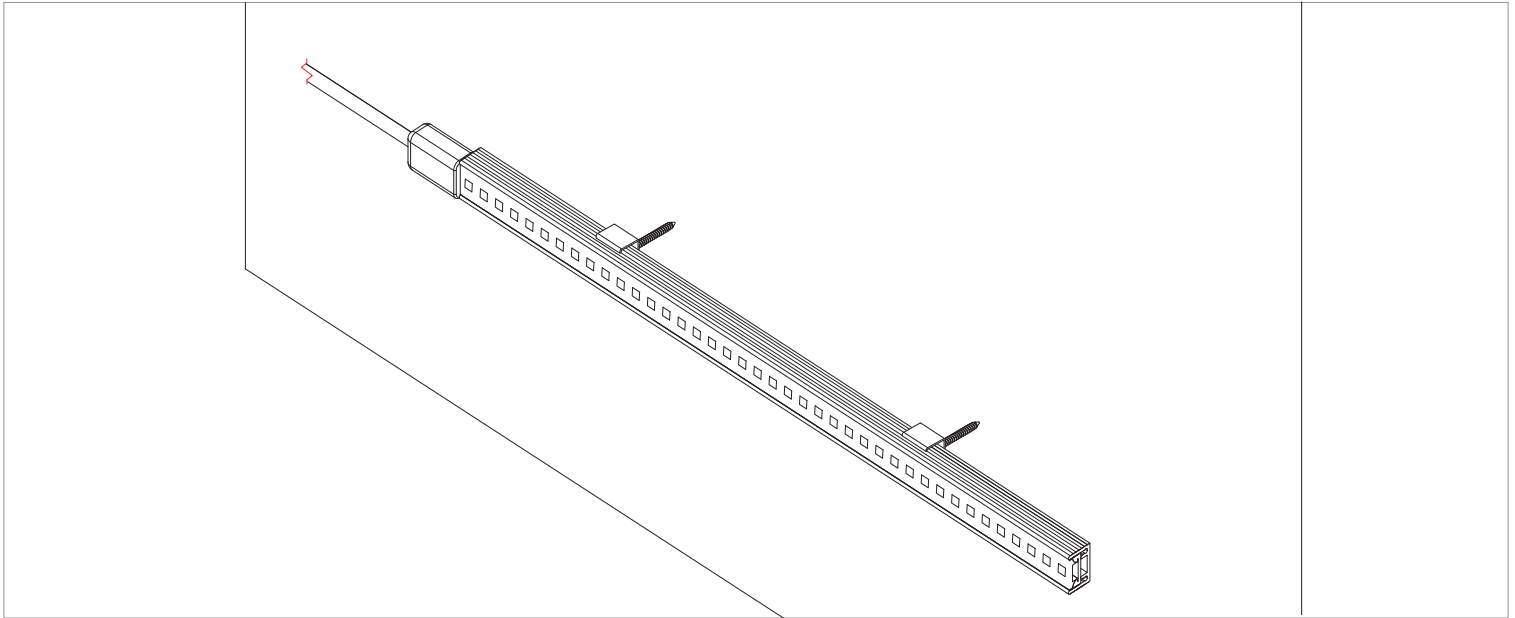


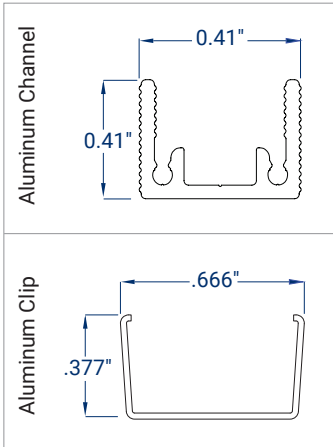


WARNING!

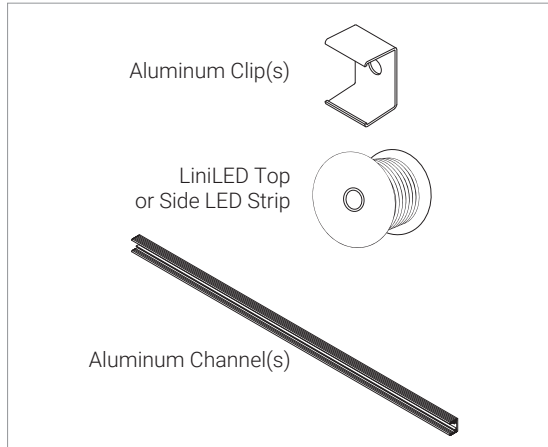
- READ THE PROVIDED INSTRUCTIONS PRIOR TO INSTALLING.
- INSTALLATION SHOULD BE CARRIED OUT BY QUALIFIED INSTALLERS.
- THE INSTALLER HAS THE FINAL RESPONSIBILITY FOR THE STRENGTH AND RIGIDITY OF THE WALL/CEILING STRUCTURE.
- A MINIMUM OF 2 PEOPLE REQUIRED WHEN INSTALLING LONG LENGTH FIXTURES.



MOUNT DIMENSIONS



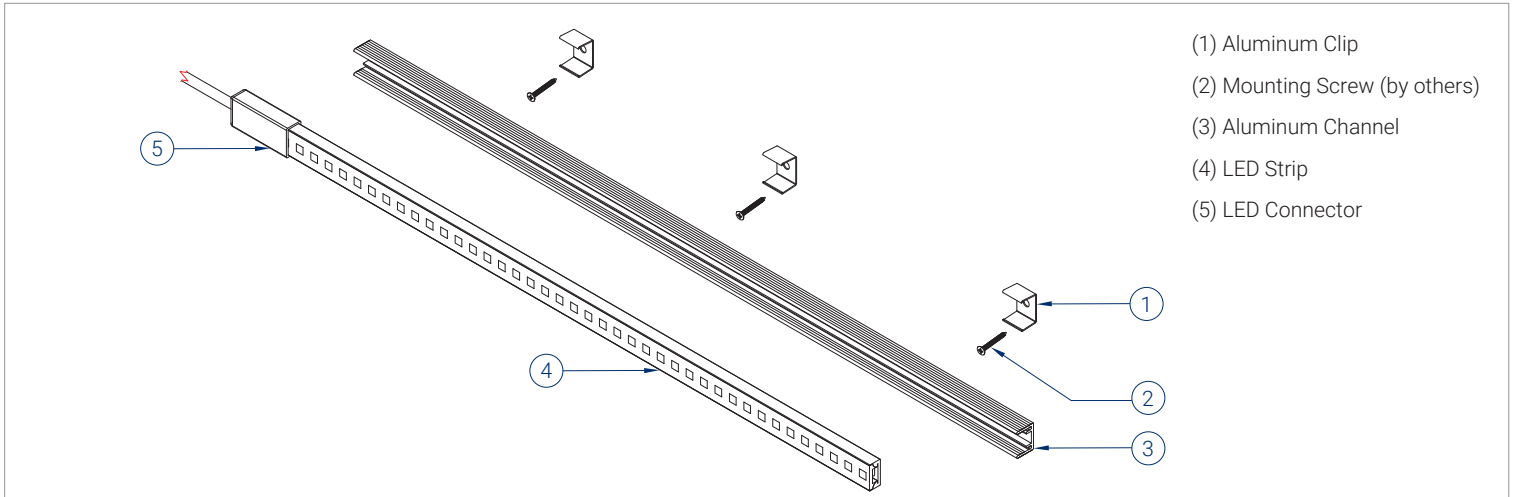
PACKAGE INCLUDES



ITEMS NEEDED (BY OTHERS)

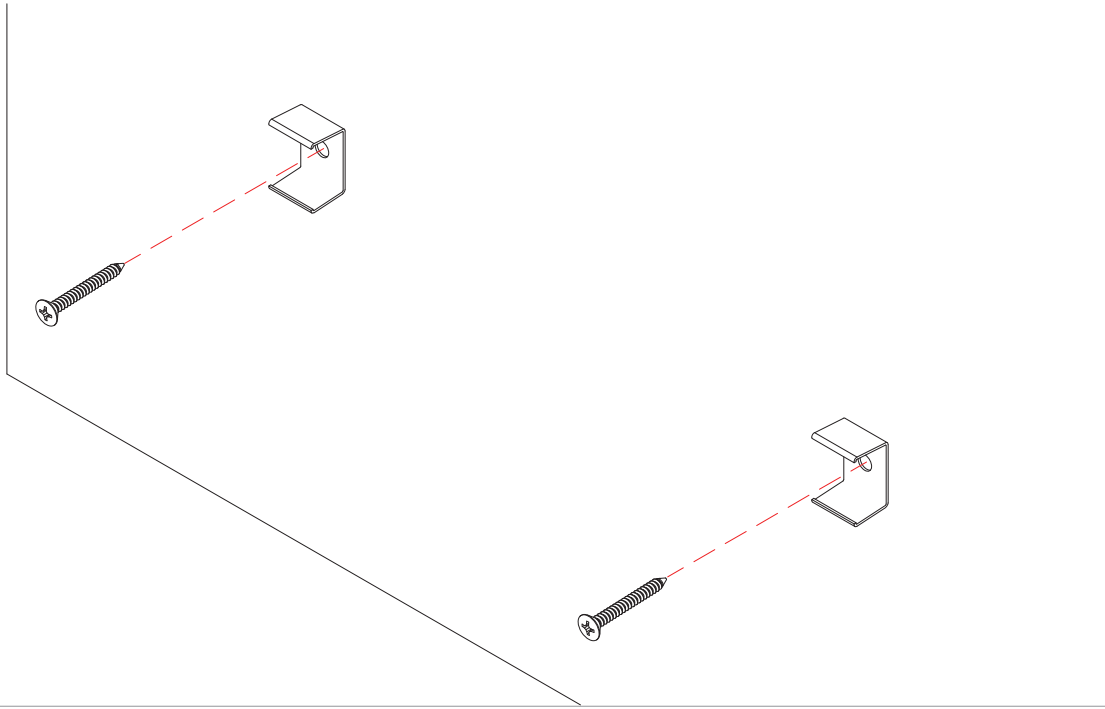


ISOMETRIC / EXPLODED VIEW



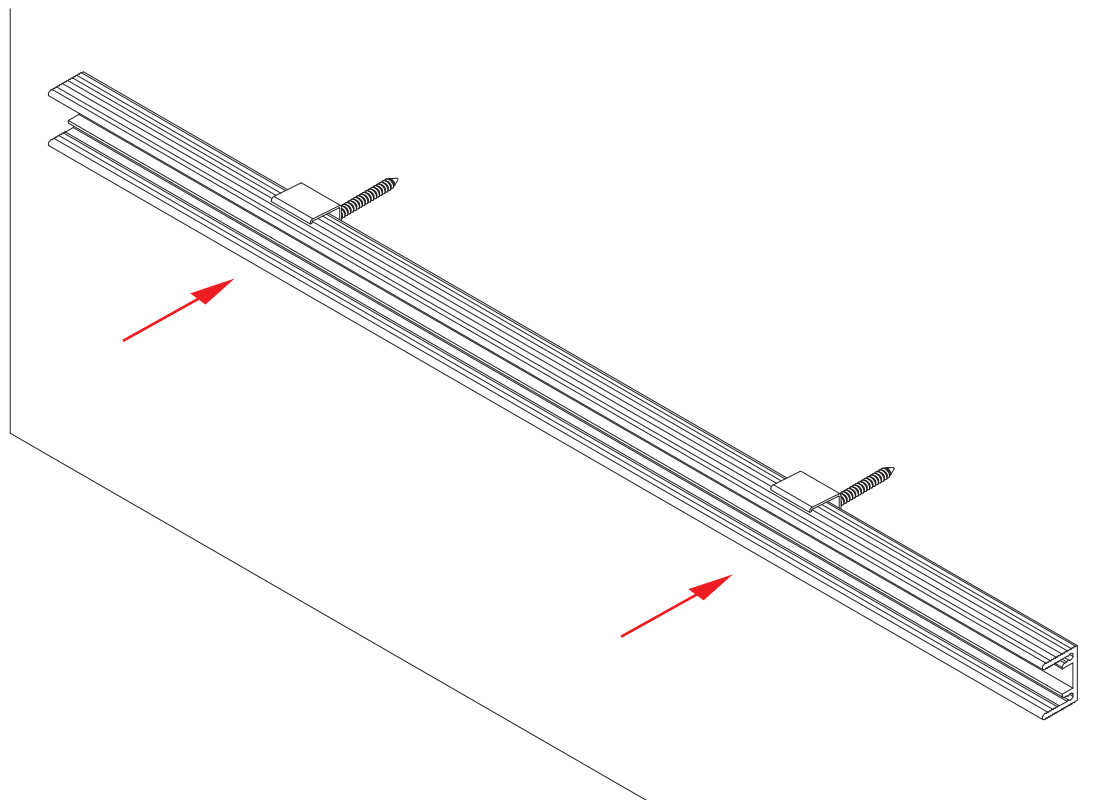
1 MOUNT ALUMINUM CLIPS TO SURFACE

- INSERT MOUNTING SCREWS INTO ALUMINUM MOUNTING CLIPS AT DESIRED SPACING UNTIL SECURE.
*Additional clips are required at all aluminum channel butt joints to ensure proper alignment and secure attachment. Aluminum channels are 3.28' (1 meter) ea.



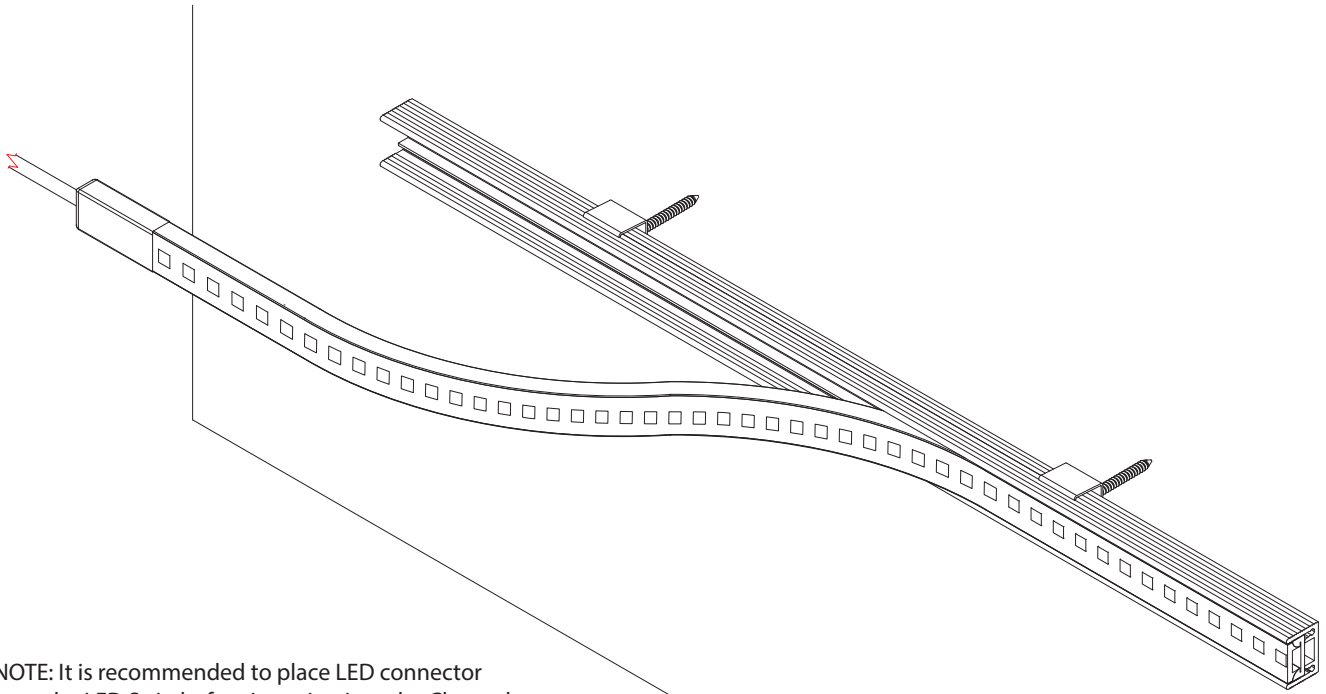
2 INSTALL ALUMINUM CHANNEL(S)

- INSTALL ALUMINUM CHANNEL(S) INTO THE ALUMINUM CLIP(S)



3 INSERT LED STRIP

- STARTING FROM ONE END, GENTLY PUSH LED STRIP UNTIL IT IS FLUSH WITH THE CHANNEL.
- TAKE INTO CONSIDERATION LED CONNECTOR DIMENSIONS FOR ACCURATE SPACING.



*NOTE: It is recommended to place LED connector onto the LED Strip before inserting into the Channel.