

OrgaLED® Power Supplies Magnetic - 24V DC



Nema 3R Dimming LED Drivers

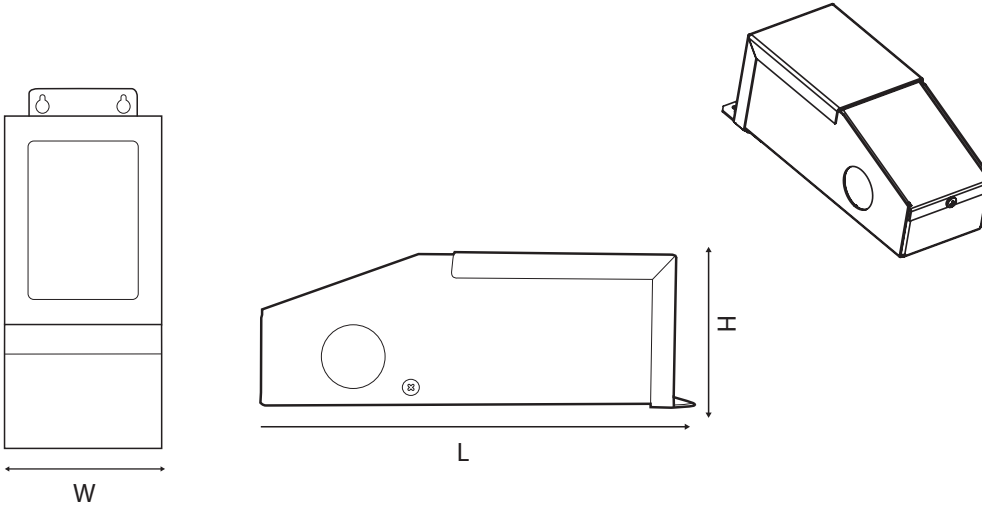


- Class 2 DC output
- 40W / 50W / 60W / 150W / 300W - 120V
- 150W / 200W - 277V
- Two auto-reset breakers in the input and output
- MLV TRIAC dimmer compatible
- Encased in a coated metal box that includes 2 knock-outs
- Nema 3R Enclosure - Outdoor use

Project
Type
Date

Specifications

Input Voltage	- 120V AC and 277V AC options
Coil Former	- Double Section Bobbin
Leads Primary	- PVC 600V #20
Leads Secondary	- PVC 300V #16
Thermal Class	- B130°C
Circuit Breaker	- primary and secondary auto reset



PART NUMBER & SPECIFICATIONS

120V Power Supplies		Input Current	Output	Average	Dimension	Weight
Part #	Watts	Load	Voltage Load	Efficiency	(LxWxH)	
011351	40W	410mA	22.3V DC	82%	5.6 x 2 x 2.14"	35oz
011352	50W	0.79A	22.2V DC	85%	6.55 x 2.25 x 2.55"	50oz
011353	60W	0.95A	22.2V DC	85%	6.55 x 2.25 x 2.55"	50oz
011356	150W	1.95A	22V DC	85%	9.8 x 3 x 3"	87oz
011358	300W	2.51A	22.8V DC	87%	9.8 x 3 x 3"	87oz

277V Power Supplies		Input Current	Output	Average	Dimension	Weight
Part #	Watts	Load	Voltage Load	Efficiency	(LxWxH)	
011360	150W	0.95A	21.8V DC	84%	9.8 x 3 x 3"	87oz
011361	200W	1.95A	22.1V DC	80%	9.8 x 4.2 x 3.5"	87oz



Specifications are correct at the time of publishing, but may be modified or improved in accordance with current electrical, safety or manufacturing methods without notification.