



## IMPORTANT SAFETY INSTRUCTIONS



Please read these instructions before using product. Protect yourself and others by observing all safety information, warnings and cautions. Failure to comply with instructions could result in personal injury and/or damage to product or property. Please retain instruction sheet for future reference.

**DO NOT CUT, SHORTEN OR SPLICE. DOING SO WILL RESULT IN VIOLATION OF ETL REQUIREMENTS, VOIDING THE PRODUCT WARRANTY AND RISK OF ELECTRICAL SHOCK AND DAMAGING THE PRODUCT.**

## READ AND FOLLOW ALL SAFETY INSTRUCTIONS

All electrical connections must be in accordance with local codes and the National Electric Code. This product operates on 120 VAC; always confirm the maximum wattage of the linear strip does not exceed the maximum wattage of the circuit it is connected to. If the product is to be hardwire installed, secure the services of a qualified licensed electrician.

- Do not cover this product as the covering may cause the flexible light to overheat and melt or ignite.
- Do not operate with the flexible light tightly coiled.
- Do not puncture, cut, shorten, or splice the flexible lighting.
- Do not route the cord or flexible lighting strip through walls, doors, windows or any like part of the building structure.
- Do not use if there is any damage to the light or cord insulation. Inspect periodically.
- Do not submerge flexible light in liquids, or use the product in the vicinity of standing water or other liquids.
- Secure this flexible light using only hangers or clips provided. Do not secure this product with staples, nails, or like means that may damage the insulation or permanently attach to the building structure.
- Do not subject flexible lighting to continuous flexing.
- Do not Exceed The Length in Feet Permitted By The Marking.
- If fitted with a plug the connector has a polarized plug (one blade is wider than the other) to reduce the risk of electrical shock. This plug will fit in polarized outlet only one way. If the plug does not fit fully in the outlet, reverse the plug. If it still does not fit, contact a qualified electrician. Do not use with an extension cord unless plug can be fully inserted.
- Do not alter or replace the plug.
- **WARNING:** When using outdoor use portable lighting product, basic safety precautions should always be followed to reduce the risk of electric shock, and personal injury, including the following:
  - Read All Instructions
  - Ground Fault Circuit Interrupter (GFCI) protection should be provided on the circuits or outlet to be used for the outdoor use flexible lighting product. Receptacles are available having built-in GFCI protection for this measure of safety.
  - Use only outdoor extension cords, such as type SW, SOW, STW, STOW, SJW, SJOW, SJTW, or SJTOW. This designation is marked on the wire of the extension



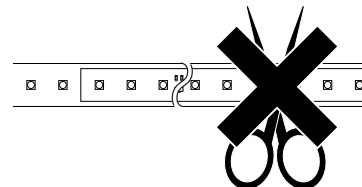
**TURN OFF ELECTRICITY** at main fuse box (or circuit breaker box) before beginning installation by switching circuit breaker off or removing fuse. MIN 90° C SUPPLY CONDUCTORS.

AC LED 112 ft Max-2 W/ft  
AC LED 66 ft Max -4 W/ft

RATED 120 VOLT AC

**AC-LEDstrip is cuttable every 3" BUT ARE NOT FIELD CUTTABLE OTHER THAN BY FACTORY TRAINED SPECIALISTS TO MEET UL AND ETL SAFETY STANDARDS**

Field cutting will result in voiding the product warranty, possible electrical shock and damaging of the product.



Intertek

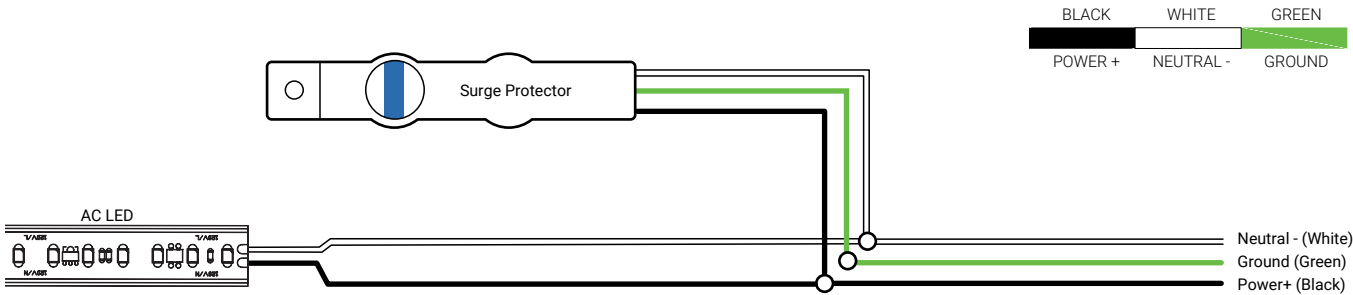
101663455NYM-001

Specifications are correct at the time of publishing, but may be modified or improved in accordance with current electrical, safety or manufacturing methods without notification.



# AC LED HARDWIRE TERMINATION OPTIONS

**NEVER POWER AC-LEDstrip WITHOUT A SURGE PROTECTOR IN LINE BETWEEN INCOMING 120V AC AND THE STRIP - FAILURE TO DO SO WILL VOID WARRANTY AND MAY CAUSE STRIP FAILURE**



## TYPICAL HARDWIRE INSTALLATIONS



USE Outdoor Hardwire Outlet Box for flexible or rigid conduit



Indoor Flush Hardwire Coverplate



Indoor Hardwire Coverplate for 1/2" flexible conduit

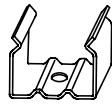


## IMPORTANT SAFETY INSTRUCTIONS

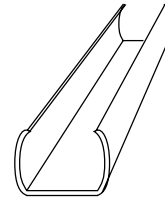


### CORD AND PLUG INSTALLATION

#### MOUNTING OPTIONS



**MOUNTING CLIP**  
AC LEDstrip

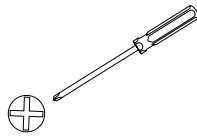


**CHANNEL**  
AC LEDstrip

#### TOOLS REQUIRED FOR MOUNTING



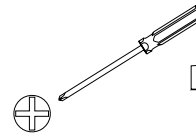
FLATHEAD  
SCREWS



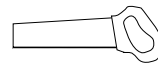
PHILLIPS  
SCREWDRIVER



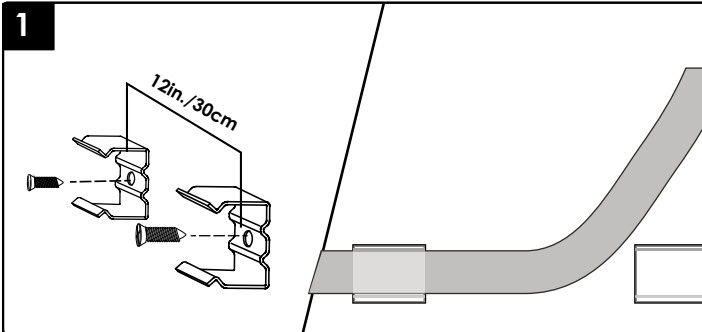
FLATHEAD  
SCREWS



PHILLIPS  
SCREWDRIVER

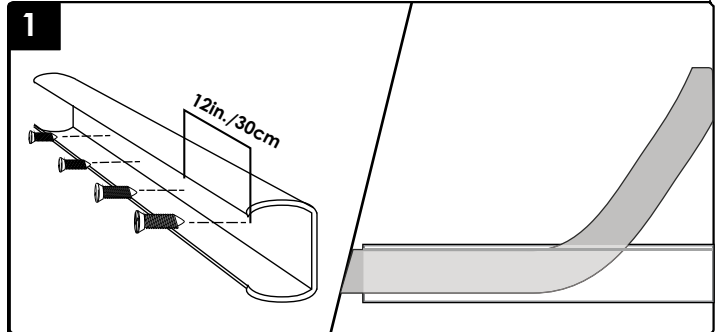


FINE TOOTH  
SAW



1

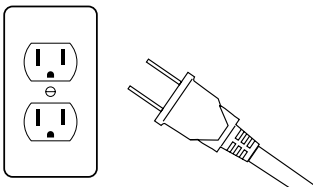
SECURE MOUNTING CLIP ON WALL OR SURFACE WITH SELF TAPPING SCREWS EVERY 12 INCHES. SNAP FLEX STRIP INTO MOUNTING CLIPS.



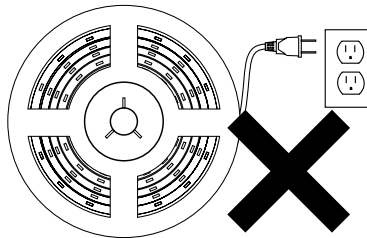
1

CUT CHANNEL TO SIZE WITH A FINE TOOTH SAW. SECURE CHANNEL ON WALL OR OTHER SURFACES WITH SCREWS EVERY 12 INCHES OR DOUBLE SIDED HB ADHESIVE TAPE. - SNAP FLEX STRIP INTO CHANNEL.

2



PLUG POWER CABLE INTO A POLARIZED 120V RECEPTACLE AND TURN POWER BACK ON.



**NEVER POWER STRIP LIGHT WHILE ATTACHED TO SPOOL OR TIGHTLY COILED.**



Intertek

101663455NYM-001