



ILLUMI-GLASS®

PATENT PENDING

The Illumi-Glass® LED-glass barrier system simplifies installation and maintenance, through integration of continuous 24V immersion proof LED lighting and slide-in lighting design. Laminated glass panels create glowing color effects, and feature ultra cool running replaceable LEDs. Our side-fed lighting design ensures long term cost effective illuminated glass barrier solutions. Available as white or color changing RGBW systems.



- Designed for Quick and Easy Installation
- No Drilling
- Easy Maintenance with OrgaLED Slide-In Lighting Design
- Heavy Duty Anodized Aluminum
- Complete System with Starphire Glass or Glass by Others
- Meets all IBC Code Standards
- ADA Compliant
- Manufactured in the USA

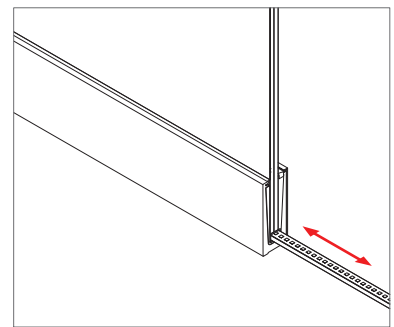
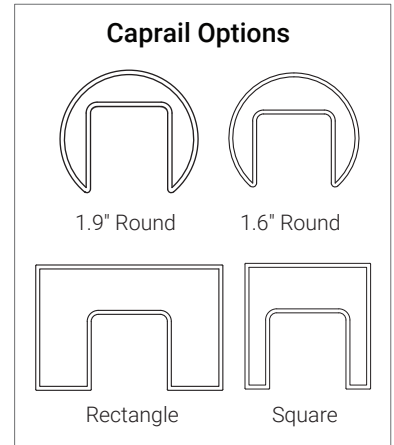
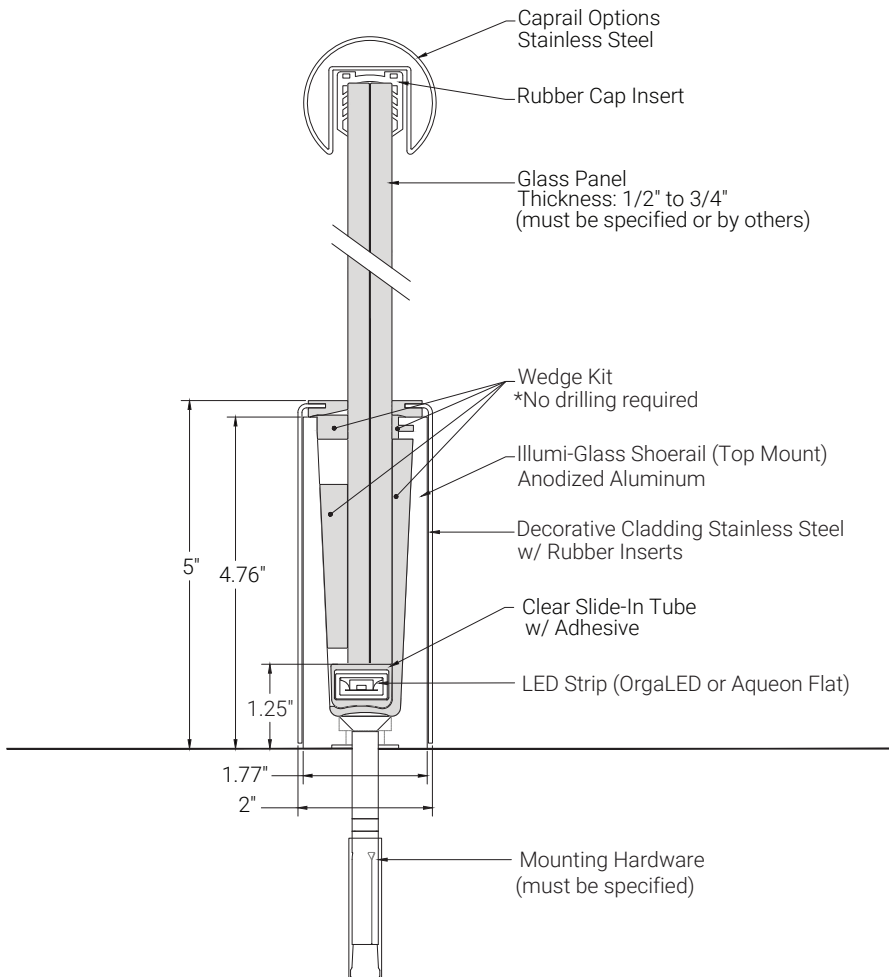


Let's discuss your project!

Have a project or idea? Contact us. We are here to help.

Email sales@organiclighting.com **Call** 626-969-6140

What's Inside an ILLUMI-GLASS® System?



Patented Slide-in Lighting Design makes replacing the OrgaLED strip as easy as changing a light bulb! Simply slide out the old strip and slide in the new.

Mount Options

