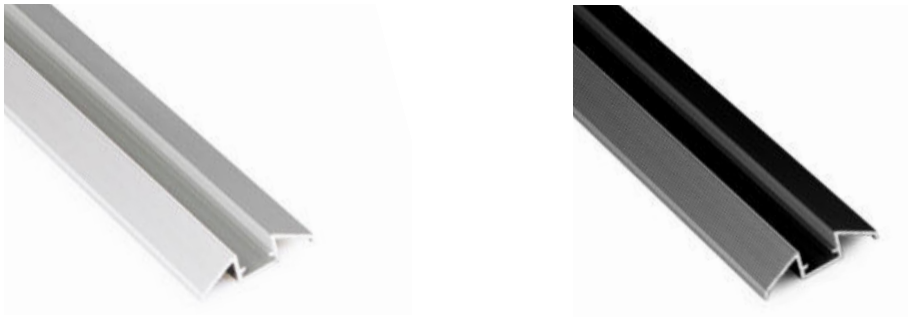


OrgaLED® Wall/Floor Extrusion

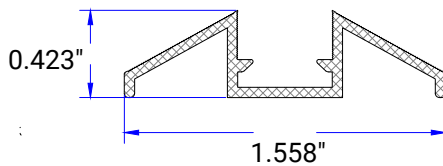
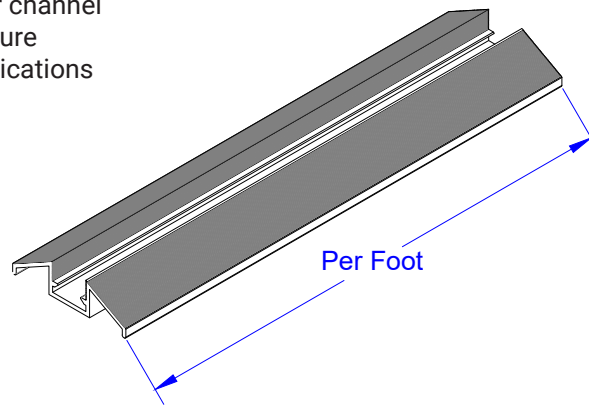


Project
Type
Date

- Mounts with screws to any surface
- Decorative or walk-over channel which OrgaLED push-fits into
- Screw heads recess in to the lower channel allowing OrgaLED to fit flat and secure
- Angled sides enable walk-over applications

COMPATIBILITY

The Wall/Floor Extrusion is compatible with OrgaLED Top emitting.



PART NUMBER & SPECIFICATIONS

Wall/Floor Extrusion

Part #	Description
011593	Wall/Floor Extrusion, Silver
011595	Wall/Floor Extrusion, Black



Specifications are correct at the time of publishing, but may be modified or improved in accordance with current electrical, safety or manufacturing methods without notification.