

ILLUMI-GLASS®

Illuminated Glass Barrier System

24V DC



Illumi-Glass Shoerail is less than 2" wide, making it a cost effective solution that creates an elegant impression. Its minimalist design helps to keep the weight of the railing low and ideal for maneuvering on site.

FEATURES

- Heavy Duty Anodized Aluminum.
- Continuous Lighting.
- Energy Efficient and Dimmable.
- 24V Aqueon® Flat LED's Slide-Fed into Clear Tube, up to 49ft(15m).
- Easy Maintenance with Patented Slide-in Lighting Design.
- Meets all IBC Code Standards.
- ADA Compliant.
- Complete System with Starphire® Glass or Glass by Others
- Manufactured in the USA.

LED

- Available in 2200K, 2700K, 3000K, 3500K, 4000K, 5000K, Red, Green, Blue, Amber, RGB, RGBW, RGB Pixel, RGBW Pixel.

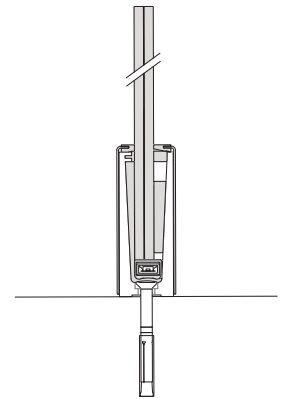
ORGANIC LIGHTING®

Project

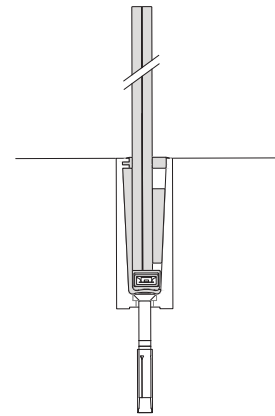
Date

MOUNT OPTIONS

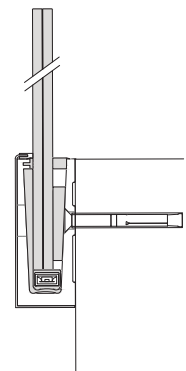
Top Mount



Recessed Mount



Fascia Mount



Slide-in Patent #US-12173887-B1

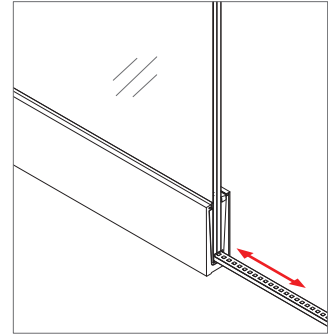
Specifications may be modified or improved without notification

ILLUMI-GLASS® Illuminated Glass Barrier System

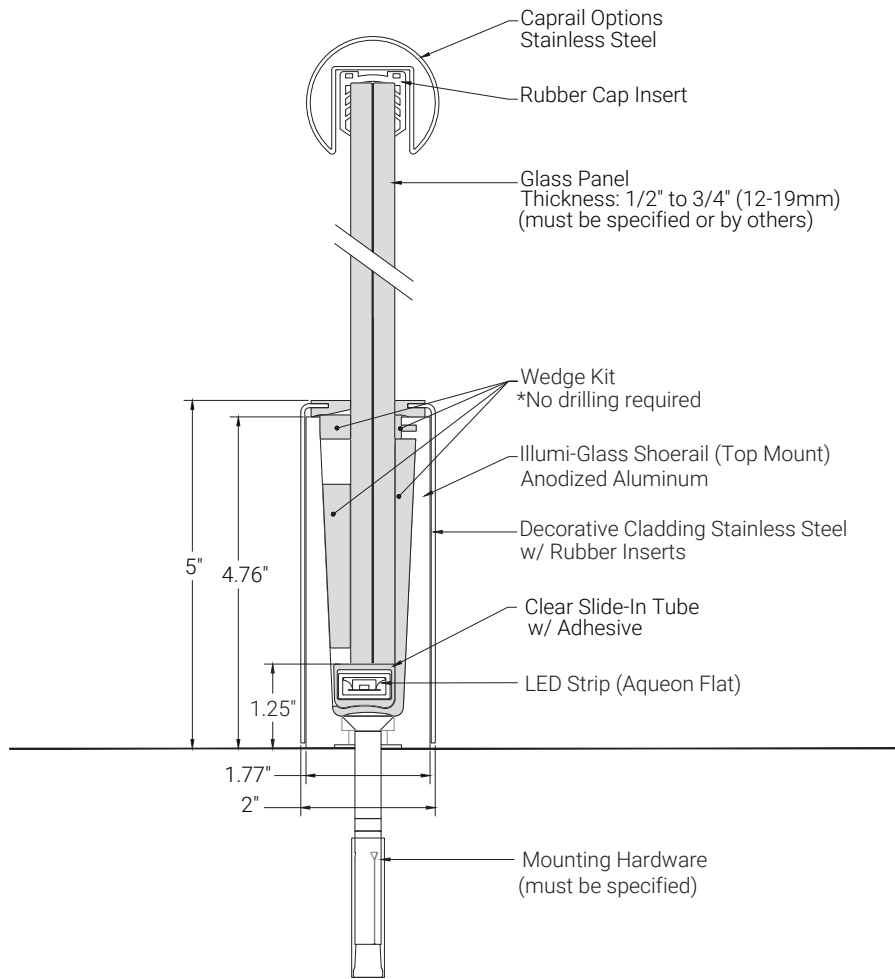
OVERVIEW

Project

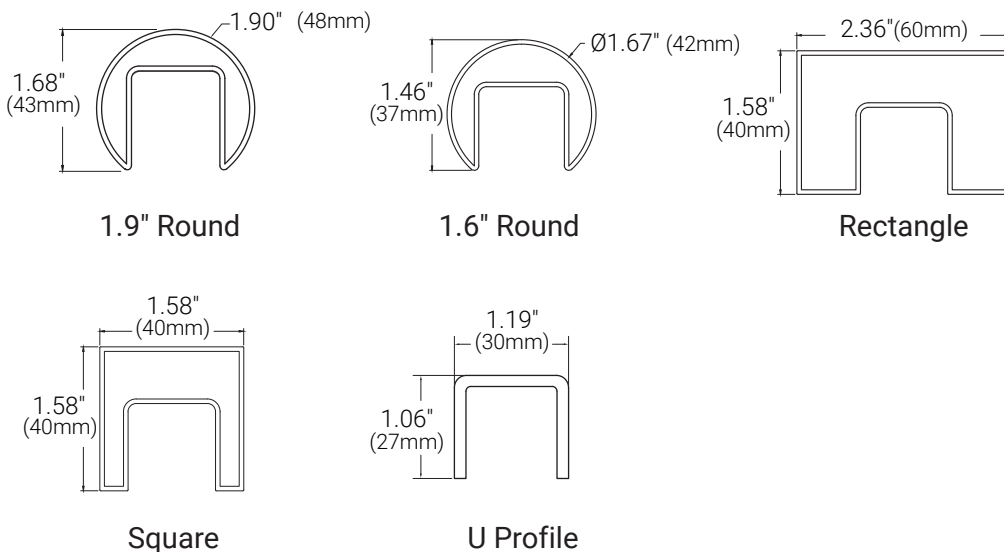
Date



Patented Slide-in Lighting makes replacing the LED strip as easy as changing a light bulb! Simply slide out the old strip and slide in the new.



CAPRAIL OPTIONS



Slide-in Patent #US-12173887-B1

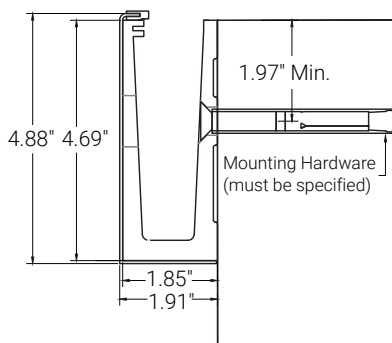
Specifications may be modified or improved without notification

ILLUMI-GLASS TECHNICAL DETAIL

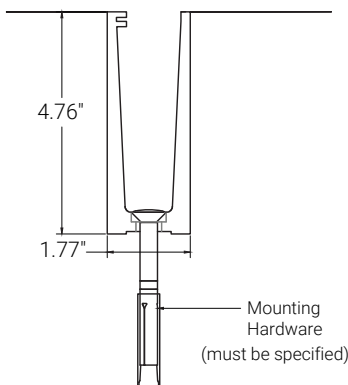
Profile	Length	Mount	CCT	Control	Glass Size	Caprail	Accessories	Mounting Surface	Cert.
IG									
IG Illumi-Glass	X Length in feet	T Top F Fascia R Recessed	22 2200K 27 2700K 30 3000K 35 3500K 40 4000K 57 5700K 65 6500K R Red G Green B Blue A Amber RGB RGB RGBW27 RGBW27K RGBW30 RGBW30K RGBW40 RGBW40K RGBP RGB-Pixel RGBW27P RGBW27K-Pixel RGBW30P RGBW30K-Pixel RGBW40P RGBW40K-Pixel	ND Non Dimming D1 0-10V TRI TRIAC DMX DMX	12 1/2" (12mm) 13 1/2" lamin. (12.76mm) 14 9/16" (13.52mm) 17 5/8" (16.76mm) 18 11/16" (17.52mm) 19 3/4" (19mm)	HR1 1.6" Caprail HR2 1.9" Caprail HRS Square Caprail HRR Rect. Caprail HRU U-Profile Caprail N None	CL Cladding* C Concrete S Steel W Wood	BAA BABAA N None	

*not available for recessed mount

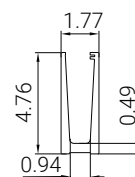
Accessories



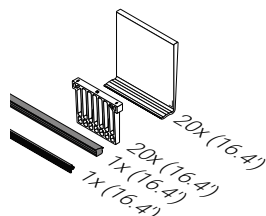
Shoerail w/ Cladding (Fascia Mount)



Shoerail (Recessed Mount)



Shoerail (Top Mount)



Wedge Kit



Drainage Profile



Welding Block

ILLUMI-GLASS® Illuminated Glass Barrier System

AQUEON FLAT LED STRIPS - 24V

- Vertical Bending
- Cuttable every 4.9in (124mm)
- >1in (25.4mm) bending radius
- UV/IR protected Silicone Injection Mold
- Wet Location, IP67
- UL Listed, 1598 / CE/ ROHS
- SPI signal input, DMX512 signal compatible, DMX address programmable
- 5 years / 60,000 hrs white, 100,000 hrs color
- Ambient working temp -4°F~113°F

ORGANIC LIGHTING®

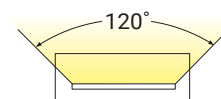
Project

Date

PART NUMBER & SPECIFICATIONS

Part #	Color	CRI	Lm/ft	Lm/m	Max Run	W/ft	W/m
Aqueon® Flat Mono							
051609	2200K	>95	106.7	350	49.2ft	15m	1.83 6
051610	2700K	>95	122	400.1	49.2ft	15m	1.83 6
051611	3000K	>95	122	400.1	49.2ft	15m	1.83 6
051612	3500K	>95	137.2	450	49.2ft	15m	1.83 6
051613	4000K	>95	137.2	450	49.2ft	15m	1.83 6
051615	5700K	>95	122	400.1	49.2ft	15m	1.83 6
051614	6500K	>95	122	400.1	49.2ft	15m	1.83 6
051616	Red	>95	33.5	110	49.2ft	15m	1.22 4
051617	Green	>95	83.8	275	49.2ft	15m	1.83 6
051618	Blue	>95	16.8	55.1	49.2ft	15m	1.83 6
051619	Amber	>95	33.5	110	49.2ft	15m	1.22 4
Aqueon® Flat RGB & RGBW							
051629	RGB	>95	67	220	49.2ft	15m	1.83 6
051630	RGBW-27K	>95	67	220	49.2ft	15m	2.4 7.5
051631	RGBW-30K	>95	67	220	49.2ft	15m	2.4 7.5
051632	RGBW-40K	>95	67	220	49.2ft	15m	2.4 7.5
Aqueon® Flat RGB & RGBW-Pixel							
051645	RGB	>95	54.1	177.4	49.2ft	15m	1.83 6
051647	RGBW-27K	>95	42	137.8	49.2ft	15m	2.74 9
051649	RGBW-30K	>95	42	137.8	49.2ft	15m	2.74 9
051648	RGBW-40K	>95	42	137.8	49.2ft	15m	2.74 9

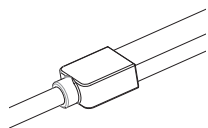
AQUEON FLAT LED



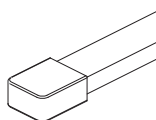
0.61"W x 0.24"H
(15.5mm x 6.1mm)

ACCESSORIES

Factory Assembled IP67 Connectors



End Connector, 16ft



End Cap

Slide-in Patent #US-12173887-B1

Specifications may be modified or improved without notification

ILLUMI-GLASS® Illuminated Glass Barrier System

POWER SUPPLIES, ENCLOSURES & CONTROLLERS

Project

Date

POWER SUPPLIES - 24V

Forward Phase, Reverse Phase, & 0-10V Dimming Drivers. Remote enclosures available.

Part #	Ingress	Voltage	Wattage	Dimensions (inches / mm)	Description
045001	IP67	100-305V	20W	7.6 x 1.18 x 0.79 / 193 x 30 x 20	Dimmable LED Driver
045002	IP67	100-305V	40W	5.83 x 1.57 x 0.87/148 x 40 x 22	Dimmable LED Driver
045003	IP67	120-277V	60W	6.3 x 2.24 x 1.5/160 x 57 x 38	Dimmable LED Driver
045004	IP67	120-277V	75W	6.3 x 2.24 x 1.5/160 x 57 x 38	Dimmable LED Driver
045005	IP67	120-277V	96W	7.6 x 2.24 x 1.5/193 x 57 x 38	Dimmable LED Driver
045006	IP67	120-277V	200W	10.1 x 3.03 x 1.8/257 x 77 x 46	Dimmable LED Driver
045007	IP67	120-277V	300W	11.9 x 3.03 x 1.8/302 x 77 x 46	Dimmable LED Driver

20W-60W Dimmable Driver



ENCLOSURES

Part #	Ingress	Dimensions (inches / mm)	Description
045008	IP67	11.02 x 4.05 x 2.2 / 280 x 103 x 56	20W Enclosure
045009	IP67	11.02 x 4.05 x 2.2 / 280 x 103 x 56	40W Enclosure
045010	IP67	11.02 x 4.05 x 2.2 / 280 x 103 x 56	60W Enclosure
045011	IP67	11.02 x 4.05 x 2.2 / 280 x 103 x 56	75W Enclosure
045012	IP67	11.02 x 4.05 x 2.2 / 280 x 103 x 56	96W Enclosure
045013	IP67	16.7 x 9.8 x 2.3 / 424 x 249 x 58	200W Enclosure
045014	IP67	16.7 x 9.8 x 2.3 / 424 x 249 x 58	300W Enclosure

75W-300W Dimmable Driver



Digital Controller (100W, 180W, 720W)



DMX CONTROLLER

Part #	Description
011343	100W Digital Controller
011344	180W Digital Controller
011345	720W Digital Controller
011341	Digital Controller & Power Supply Combination
011410	Nicolaude DE3 DMX 512 Controller
011403	Nicolaude DINA-DR1 DMX 512 Controller
050203	LT-200 SPI Controller - For Pixel
050205	DMX512 SPI Converter Decoder - For Pixel

Nicolaude DE3 DMX 512 Controller



CABLE REQUIREMENT

The LED strips need a minimum voltage at the beginning of the LED strip to function according to the specifications. The table below gives an indication of the maximum cable length based on the cable thickness. The standard starter cable (20 AWG) has a cable length of 16ft(5m).

In case the required length is longer than the length mentioned in this cable, it is recommended to cut the starter cable down to 1ft and splice a larger gauge cable. Please contact your distributor for a detailed cable calculation.

AQUEON MONO

Cable X Information	LED Strip	Max. Cable Length
		24 V
20 AWG x 2	3.28 ft / 1m	303 ft / 92.35m
	16.4 ft / 5m	57 ft / 17.37m
	32.8 ft / 10m	36 ft / 10.98m
	49.2 ft / 15m	20 ft / 6.1m
	65.6 ft / 20m	16 ft / 4.9m
18 AWG x 2	3.28 ft / 1m	457 ft / 139.3m
	16.4 ft / 5m	86 ft / 26.21m
	32.8 ft / 10m	56 ft / 17.07m
	49.2 ft / 15m	35 ft / 10.67m
	65.6 ft / 20m	25 ft / 7.62m
16 AWG x 2	3.28 ft / 1m	914 ft / 278.6m
	16.4 ft / 5m	172 ft / 52.43m
	32.8 ft / 10m	90 ft / 27.43m
	49.2 ft / 15m	60 ft / 18.3m
	65.6 ft / 20m	40 ft / 12.2m
14 AWG x 2	3.28 ft / 1m	1521 ft / 463.6m
	16.4 ft / 5m	287 ft / 87.5m
	32.8 ft / 10m	140 ft / 42.67m
	49.2 ft / 15m	96 ft / 29.26m
	65.6 ft / 20m	70 ft / 21.34m

AQUEON RGB / RGBW

Cable X Information	LED Strip(2.29 w/ft)	Max. Cable Length
20 AWG *standard	3.28 ft / 1m	190 ft / 58m
	16.4 ft / 5m	74 ft / 23m
	32.8 ft / 10m	38 ft / 12m
	49.2 ft / 15m	26 ft / 8m
18 AWG	3.28 ft / 1m	300 ft / 91m
	16.4 ft / 5m	118 ft / 36m
	32.8 ft / 10m	60 ft / 18m
16 AWG	49.2 ft / 15m	40 ft / 12m
	3.28 ft / 1m	478 ft / 146m
	16.4 ft / 5m	186 ft / 57m
	32.8 ft / 10m	96 ft / 29m
14 AWG	49.2 ft / 15m	64 ft / 20m
	3.28 ft / 1m	760 ft / 232m
	16.4 ft / 5m	300 ft / 91m
	32.8 ft / 10m	152 ft / 46m
	49.2 ft / 15m	100 ft / 30m

AQUEON RGB / RGBW PIXEL

Cable X Information	LED Strip	Max. Cable Length
20 AWG x 2	3.28 ft / 1m	303 ft / 92.35m
	16.4 ft / 5m	57 ft / 17.37m
	32.8 ft / 10m	36 ft / 11m
18 AWG x 2	3.28 ft / 1m	457 ft / 139.3m
	16.4 ft / 5m	86 ft / 26.21m
	32.8 ft / 10m	56 ft / 17.07m
16 AWG x 2	3.28 ft / 1m	914 ft / 278.59m
	16.4 ft / 5m	172 ft / 52.43m
	32.8 ft / 10m	90 ft / 27.43m
14 AWG x 2	3.28 ft / 1m	1521 ft / 463.60
	16.4 ft / 5m	287 ft / 87.48m
	32.8 ft / 10m	140 ft / 42.67m

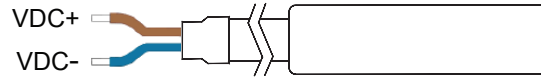
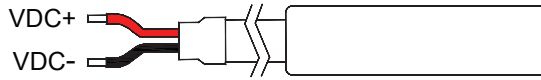
ILLUMI-GLASS® Illuminated Glass Barrier System

ELECTRICAL DETAILS

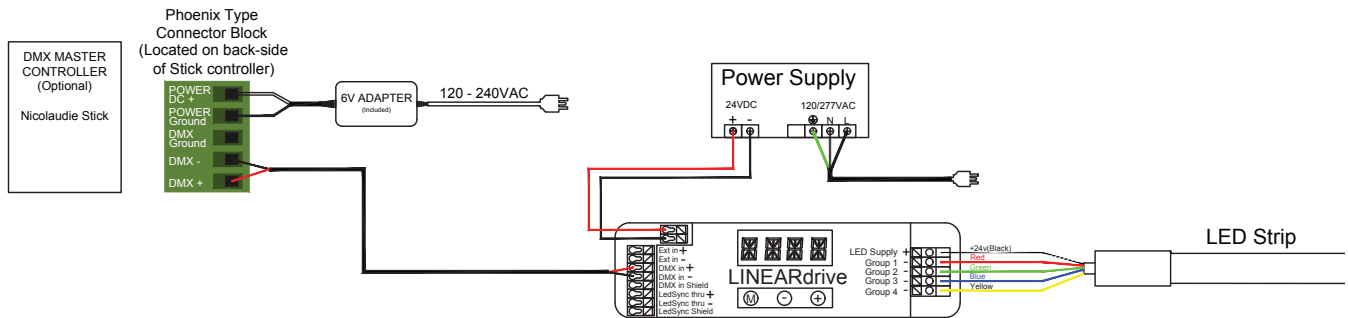
Project

Date

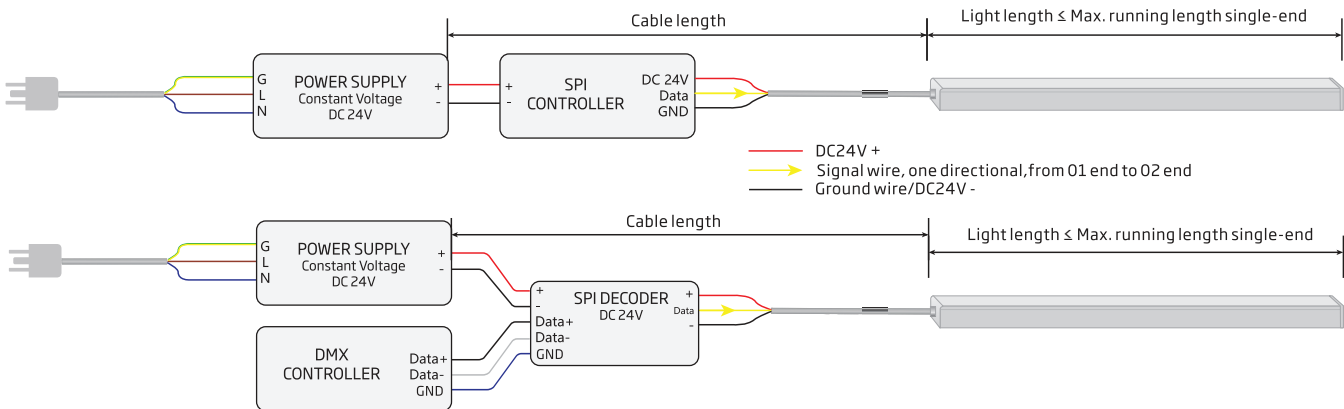
MONO



RGB/RGBW



PIXEL / SINGLE-END FEED



Slide-in Patent #US-12173887-B1

Specifications may be modified or improved without notification