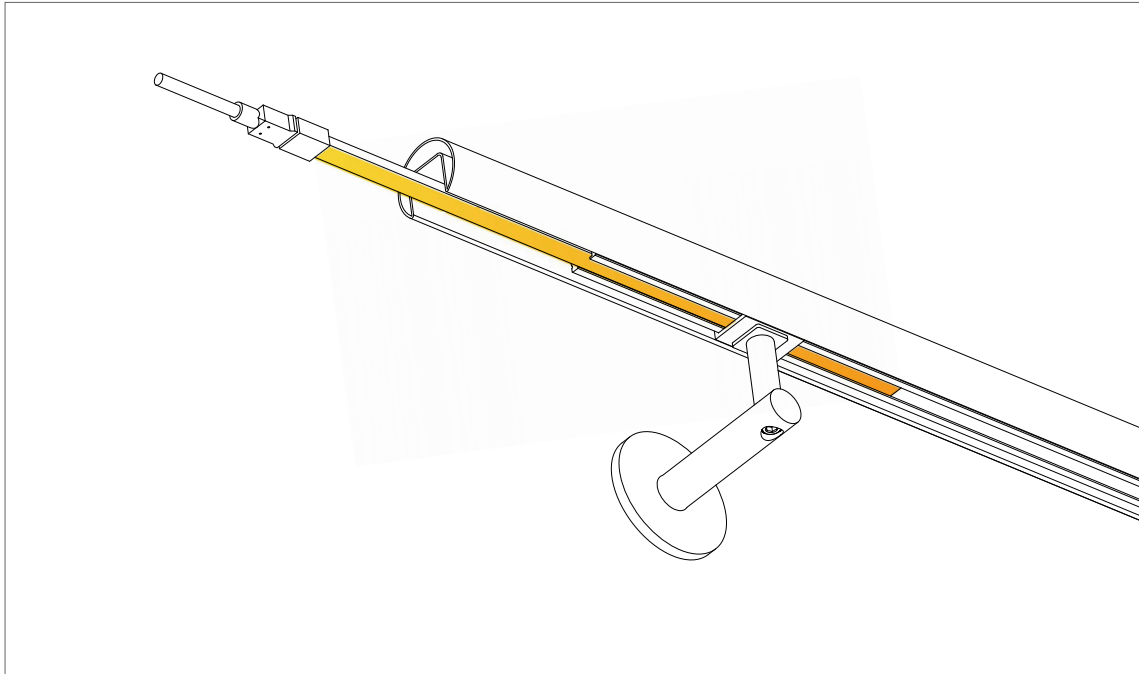


USER MANUAL

ORGARAIL SLIDE-IN PATENT NUMBER US 12,173,887 B1

OrgaRail® Illuminated Handrail Slide-Fed System



Round



Square



Rectangle

PLEASE READ THESE INSTRUCTIONS CAREFULLY BEFORE INSTALLATION & LEAVE A COPY FOR THE END USER/ MAINTANANCE ENGINEER FOR FUTURE REFERENCE.



Specifications sheets are subject to change without notification.

Table of Contents

Warning	3
Product Information	3
Technical Specification	3
Product Dimensions	4
Product Mounting Assembly	6
1.0 How to Position and Level Wall Mounts and Post Tubes	10
1.1. How to Position and Level Wall Mounts	11
1.2. How to Position and Level Post Tubes	12
2.0 How to Install wall mount and Post Tubes with Base Mount	13
2.1. How to Install Wall mount	14
2.2. How to Install Post Tube and Base Mount	15
2.3. How to Install Post Embedding	16
3.0 How to Install the Slide-in Extrusion to the Caprail	17
3.1. Method 1: Use Pre-installed 3M Tape and Apply To Caprail	17
3.2. Method 2: Use a Mechanical Screw.	18
4.0 How to install Brackets on Caprail.	19
4.1. How to install Wall Mount Bracket To Caprail	19
4.2. How to install Post Baluster Bracket To Caprail.	20
5.0 Installing OrgaLED Lights.	21
5.4. Special Application: If OrgaLED LED starting point is in the middle of the OrgaRail.	22
6.0 Installing OrgaRail Lenses	23
7.0 Installing OrgaRail Elbows / Joints / Connectors / End Caps	24
OrgaLED LED Product Specifications (Symmetric)	25
OrgaLED LED Product Specifications (Asymmetric)	26
General	27
Symbols	28

Warning

This product comes with a 5 year warranty.

Warranty void if:

- 1. The installation guide has not been consulted (installation mistake).**
- 2. The installation is not done by a certified handrail installer and electrical contractor.**
- 3. Local rules and guidelines are not respected.**
- 4. The invoice cannot be shown and/or has been altered.**
- 5. Damage is caused by negligence, abnormal use or improper handling, use, maintenance and/or cleaning of the product.**

This product is intended for professional use only! This product must be installed by a qualified and certified installer according to local rules and guidelines. Organic Lighting Systems, Inc. cannot be held liable for (consequential) damage and/or injuries due to unintended use and/or installation errors.

Product Information

The OrgaLED® LED strip (IP40) is a high quality, flexible LED strip with a unique co-extrusion technology. Designed for an endless range of indoor and outdoor applications.

*For use in wet environments, use IP67 waterproof kits.

Technical Specifications

Handrail & Mount Materials:	Stainless Steel AISI 316 -Satin Brushed
Internal Profile Material:	Aluminum 6060-T6
Power Supply:	24V DC
Water resistance LED strip:	IP40, IP67 upon request
Accessories:	Several accessories (See Data sheets)

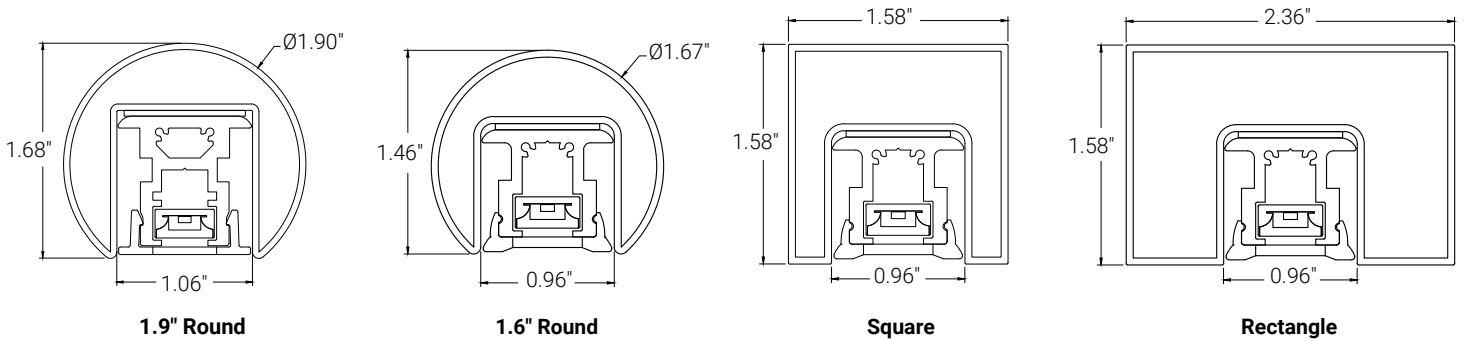
Required Tools & Products

Depending on the project, standard tools and metal working tools should be present at the location. Make sure the following tools and products are present:

- 4ft level
- Drill
- Drill Bit Set
- Tape Measure
- De-burring Tool
- Leveling String
- Wrench
- M6 Allen Wrench
- 3/8" Socket
- M10 Socket
- Standard thread M10 Acorn Nut
- Reverse thread M10 Acorn Nut
- Wire Cutter
- Waterproof Wire Nuts
- 6-32 pan head, length not to exceed 3/4"
- 8-32 pan head, length not to exceed 7/8"
- 2" Hole Saw for Concrete
- Hammer Drill
- Cement or Equivalent
- Chop Saw
- Miter Saw
- Band Saw

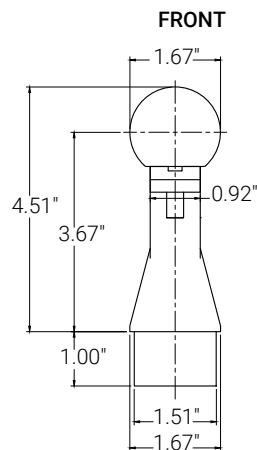
Product Dimensions

1.9" Round, 1.6" Round, Square & Rectangle Cross Dimensions

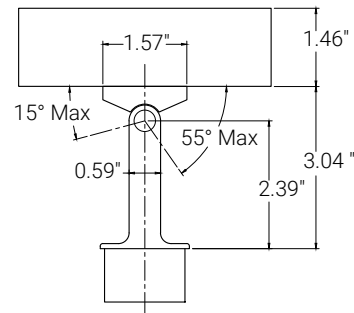


Mount Dimensions - 1.6" Round

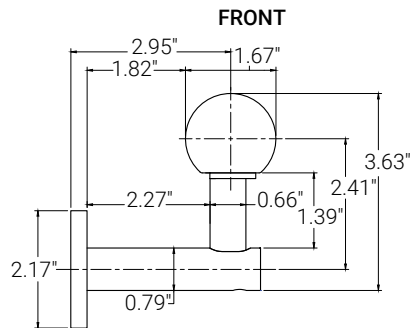
Post Mount



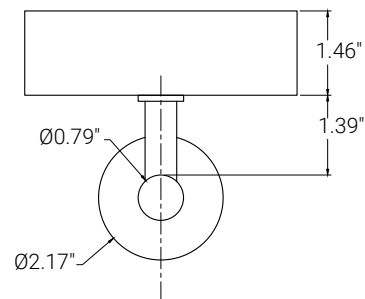
SIDE



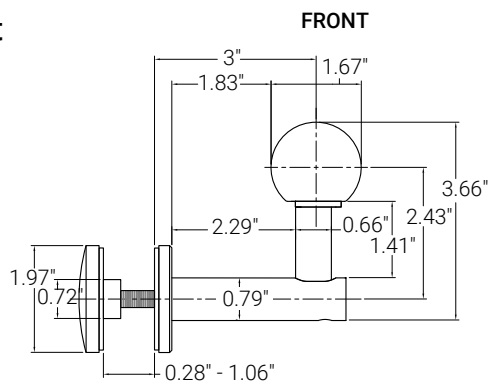
Wall Mount



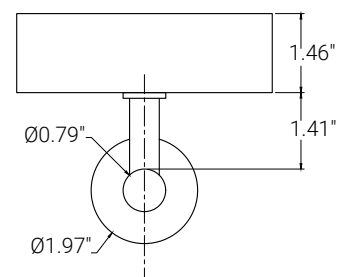
SIDE



Glass Mount



SIDE

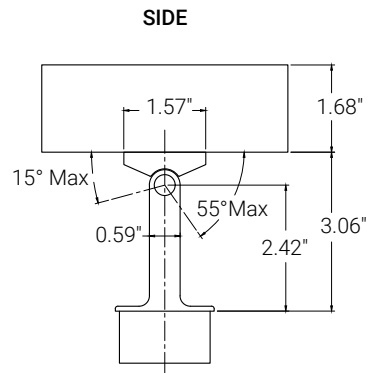
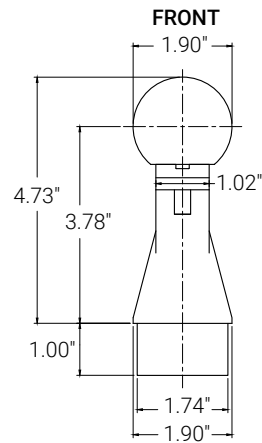


Specifications sheets are subject to change without notification.

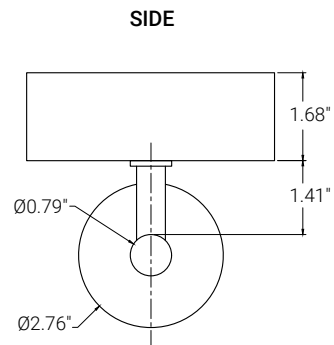
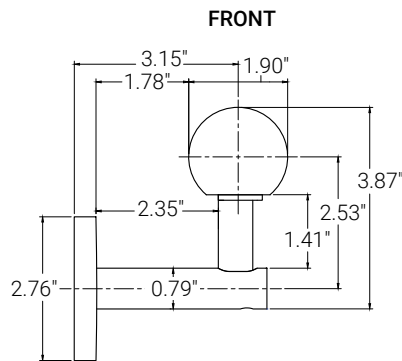
Product Dimensions

Mount Dimensions - 1.9" Round

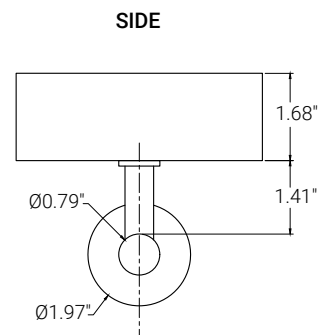
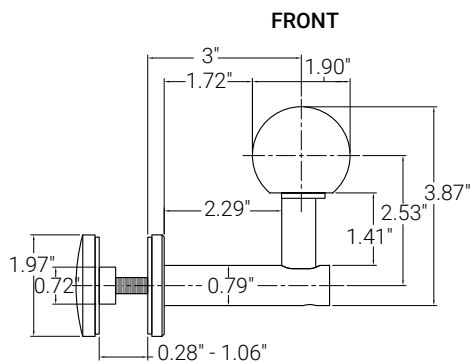
Post Mount



Wall Mount

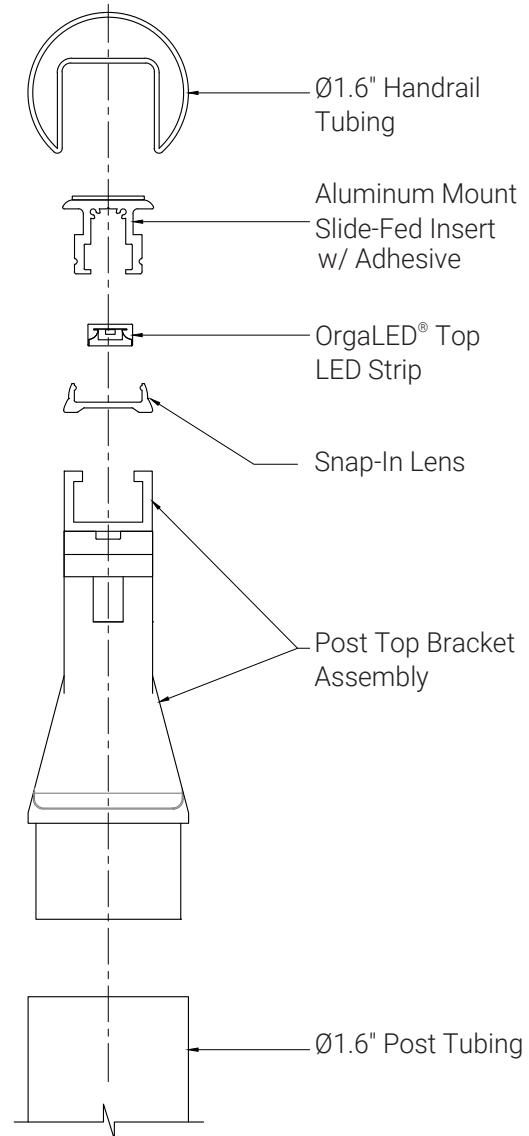
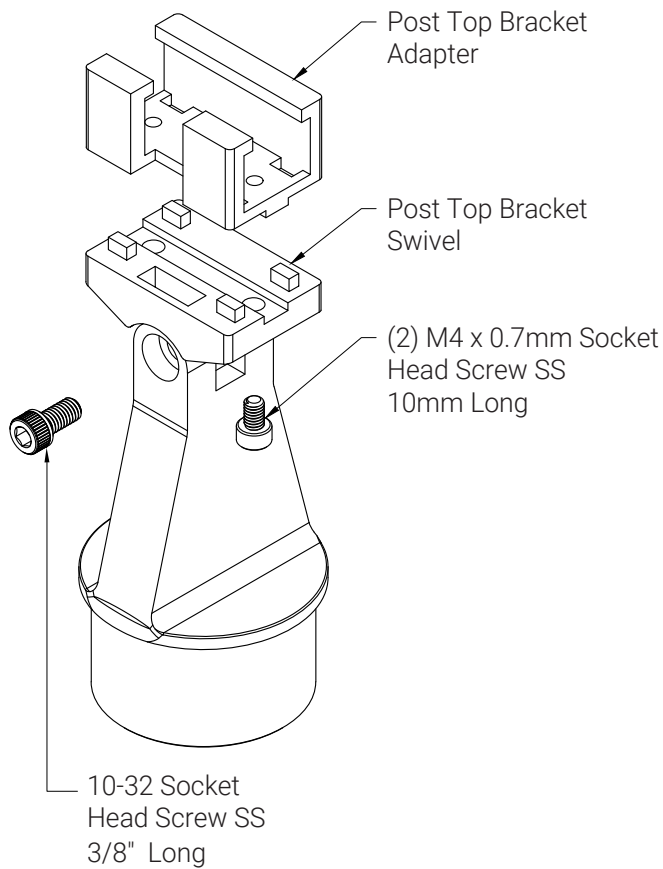


Glass Mount



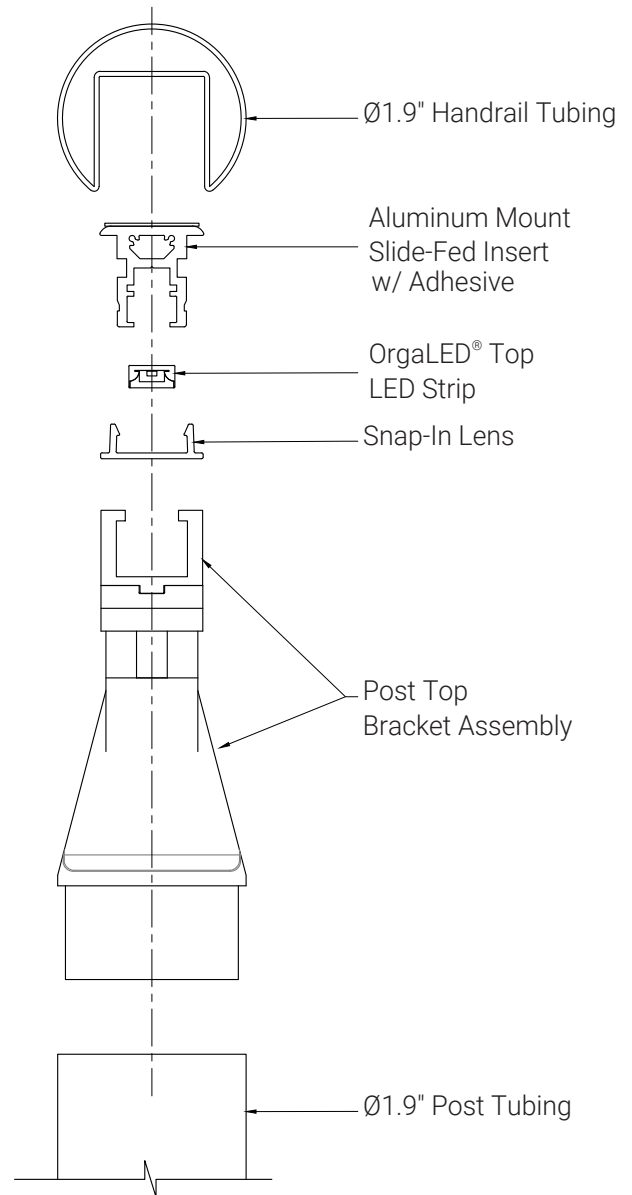
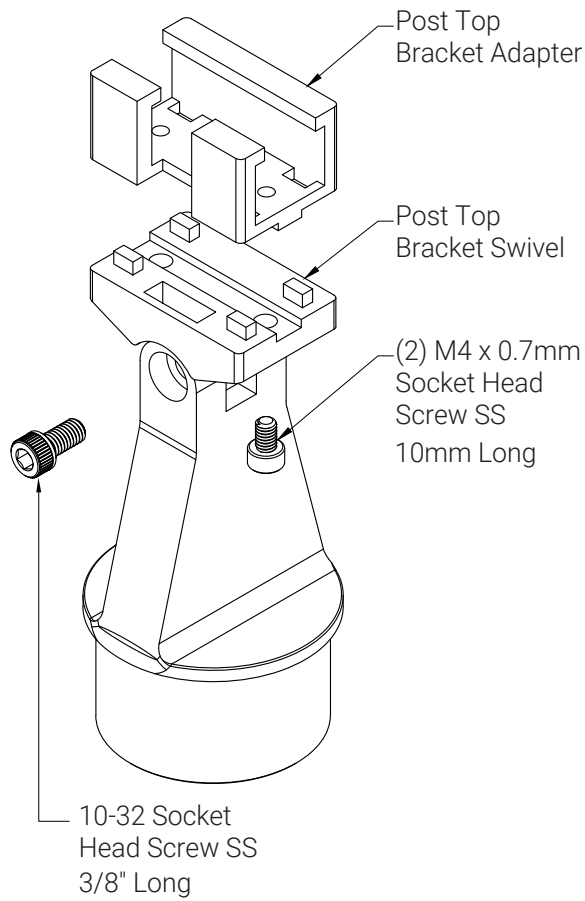
Product Mounting Assembly

Post Mount - 1.6" Round Handrail



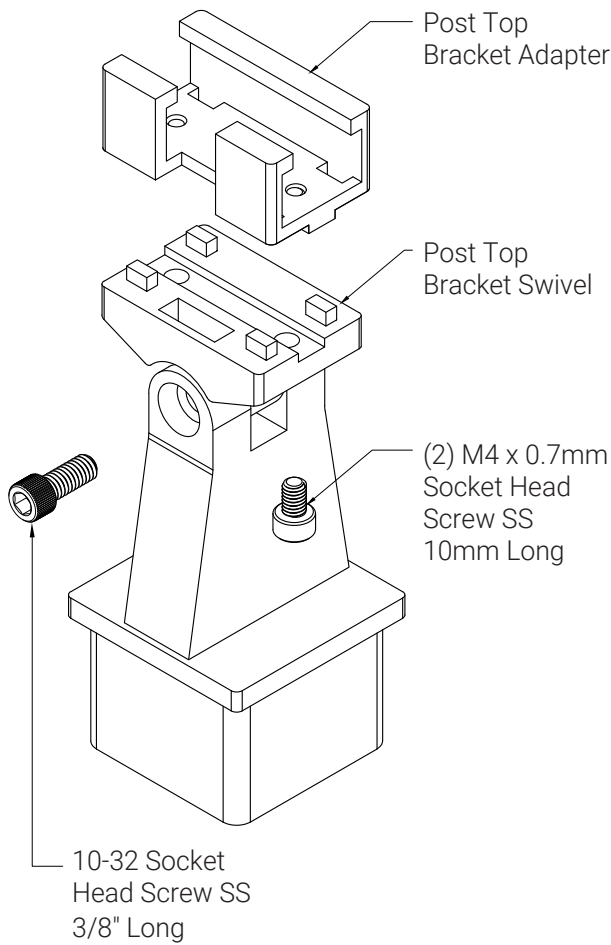
Product Mounting Assembly

Post Mount - 1.9" Round Handrail



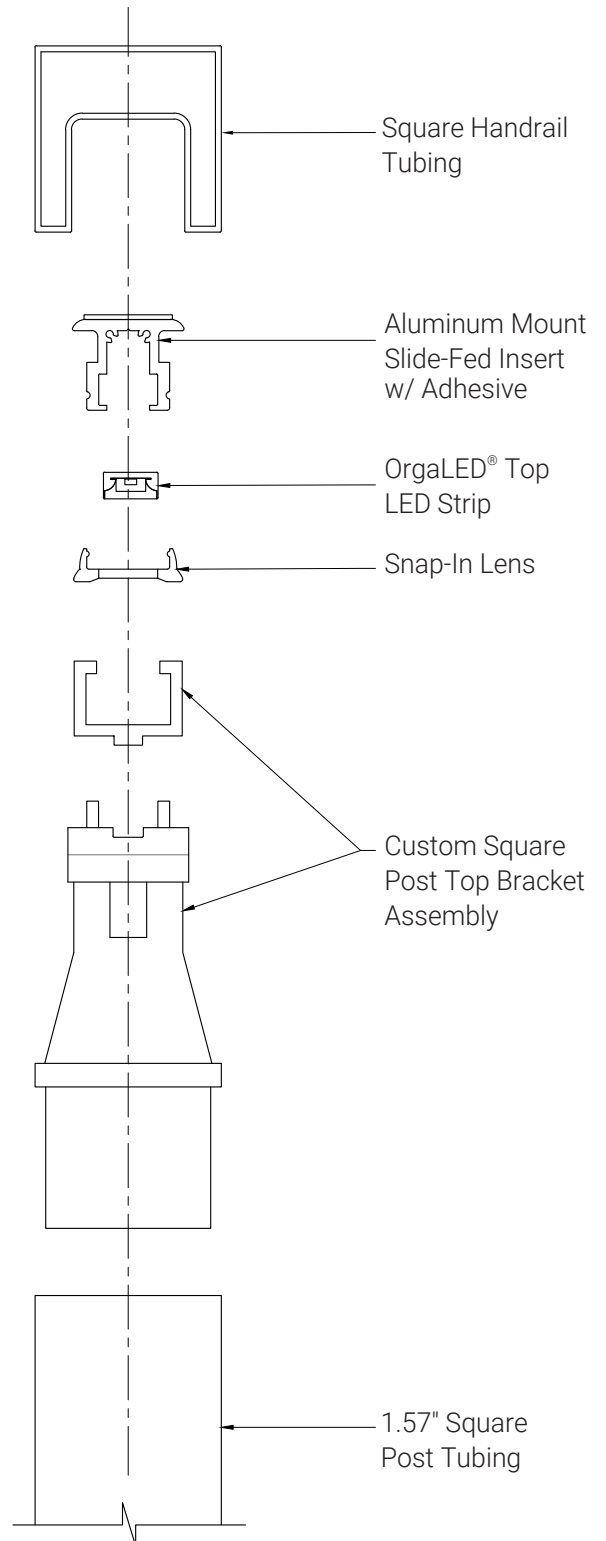
Product Mounting Assembly

Post Mount - Square Handrail



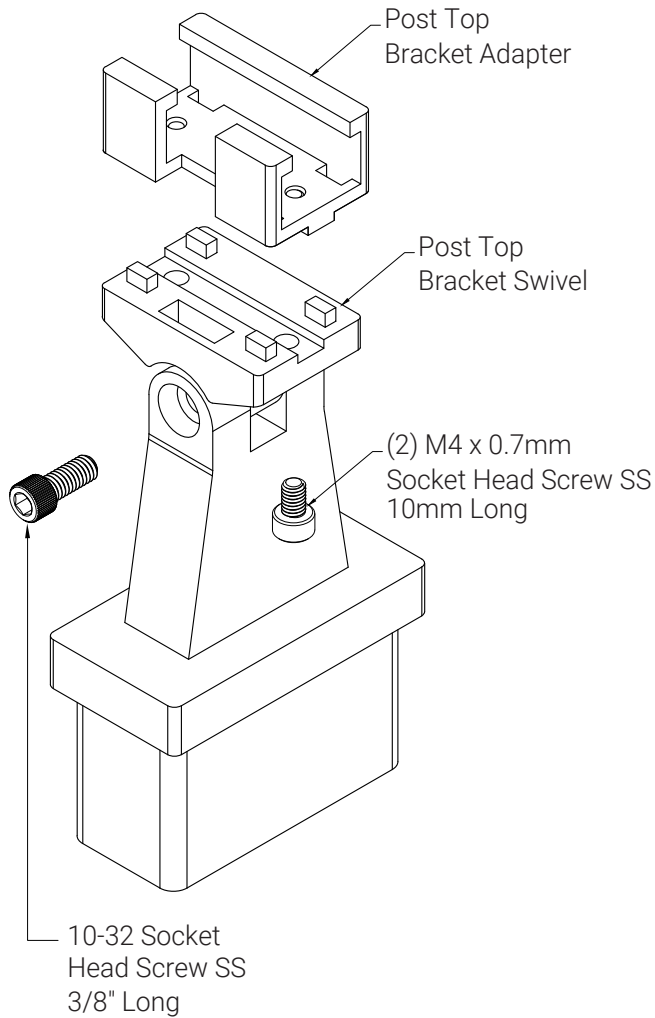
NOTE:

- Custom: Square Post
- Standard: 1.6 Round Post



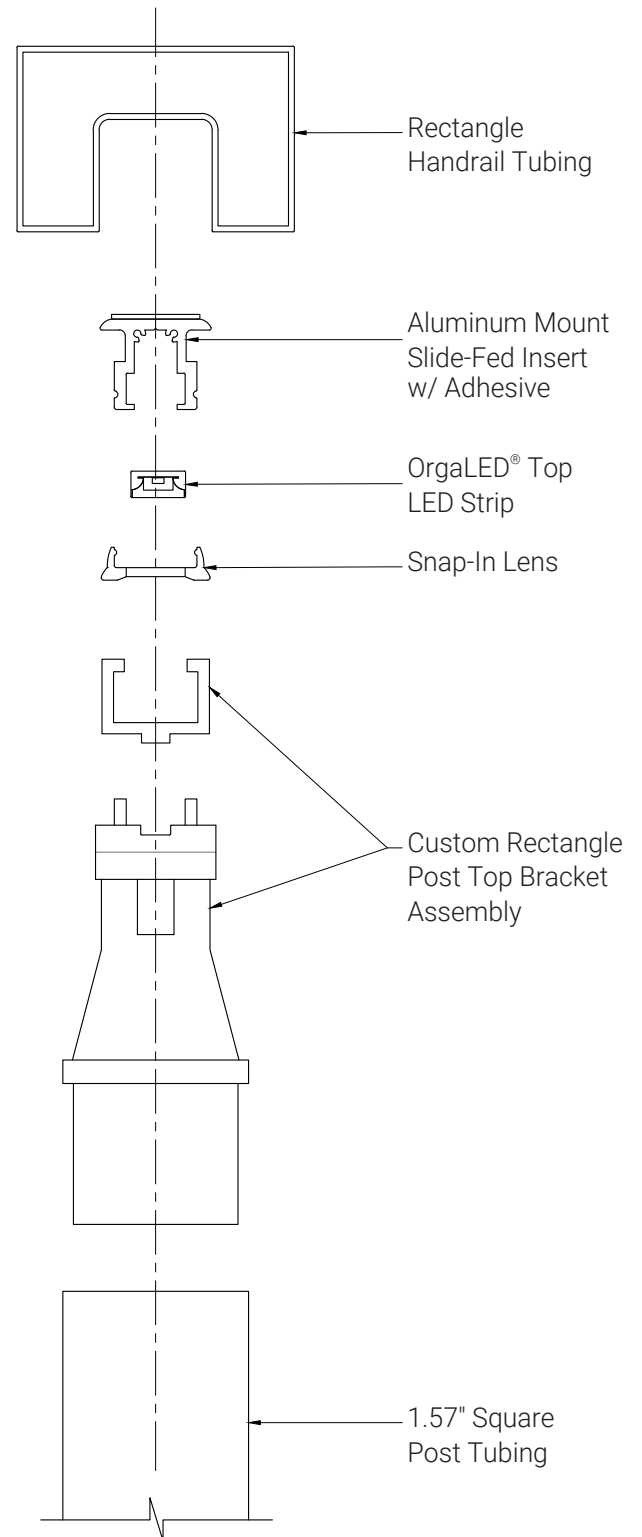
Product Mounting Assembly

Post Mount - Rectangle Handrail



NOTE:

- Custom: Rectangle Post
- Standard: 1.6 Round Post



Installation Guide

1.0 How to Position and Level Wall Mounts and Post Tubes

1.1 Wall Mount

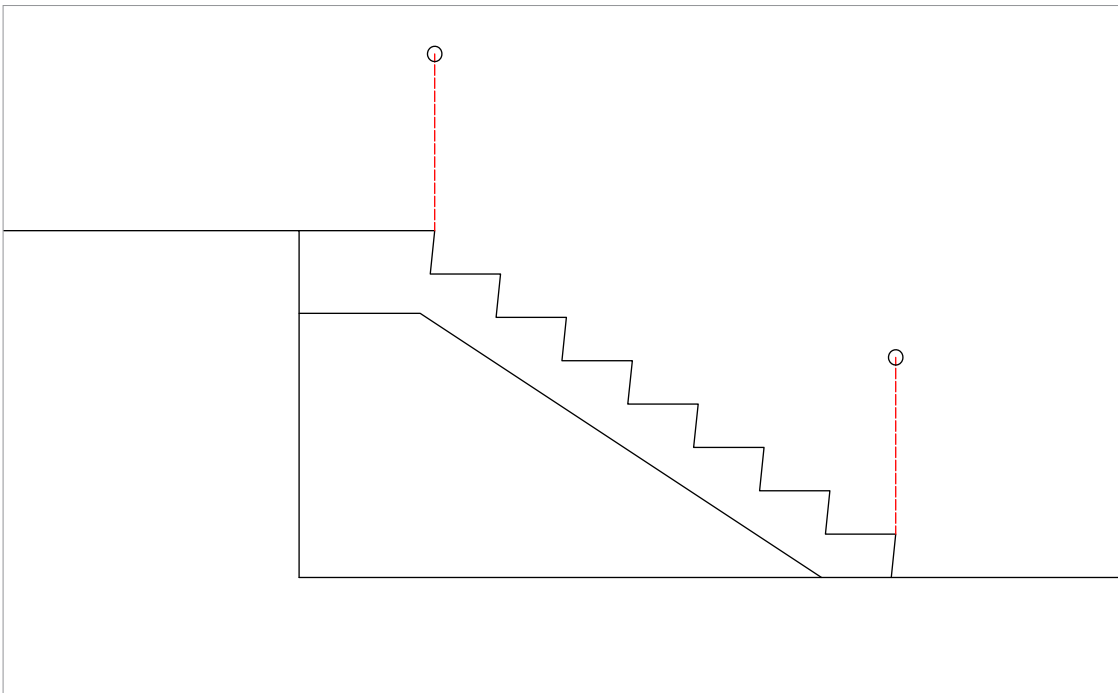
1.2 Post Tube

Required Tools & Products

Depending on the project, standard tools and metal working tools should be present at the location. Make sure the following tools and products are present:

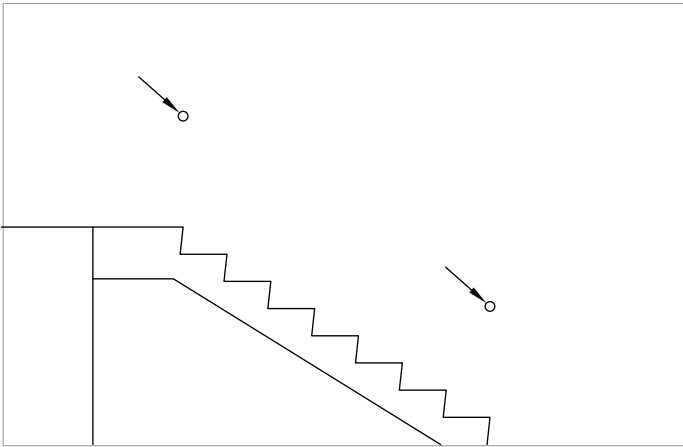
- 4ft level
- Drill
- Drill Bit Set
- Band Saw
- Tape Measure
- De-burring Tool
- Leveling String

1.1 How to Position and Level Wall Mounts

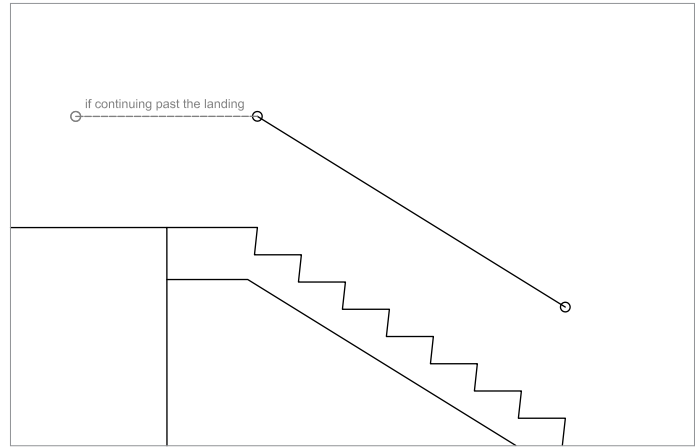


1. To measure and level accurately, use a 4ft level on the upper step and lowest step.

1.1 How to Position and Level Wall Mounts (continued)

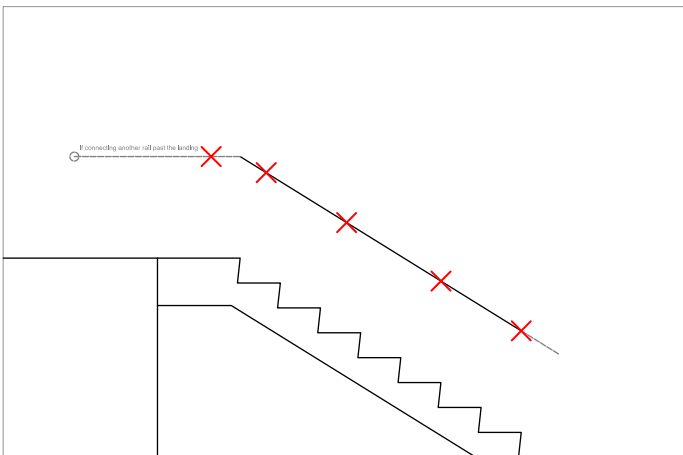


2. Pencil mark the points.



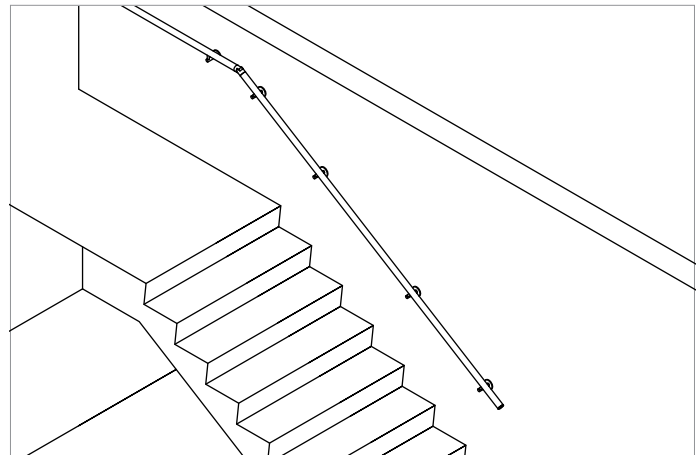
3. Fix a temporary screw and attach a firm leveling string from the two points to create a line.

TIP: Instead of marking your wall with screws, two people can hold each end of the string while one marks the placement.



4. Mark along the line where best to position the Wall Mounts; The recommended max distance is 4ft.

IMPORTANT: Consider placement constraints for Elbows, Joints, End Caps and Starter Connections.

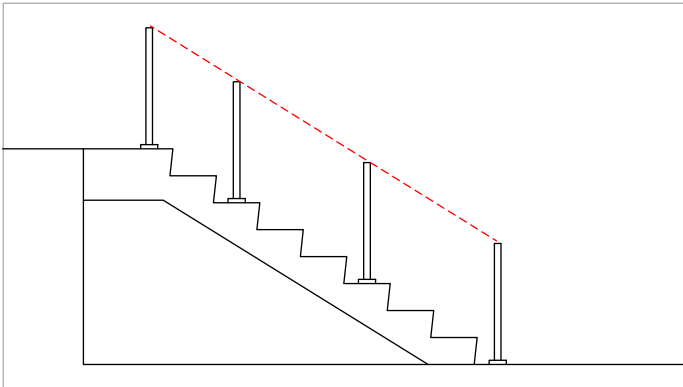


5. Once the markings are satisfactory, proceed to install Wall Mounts.

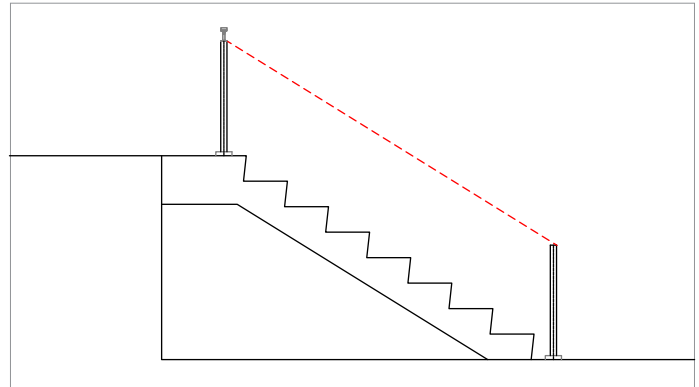


1.2 How to Position and Level Post Tube

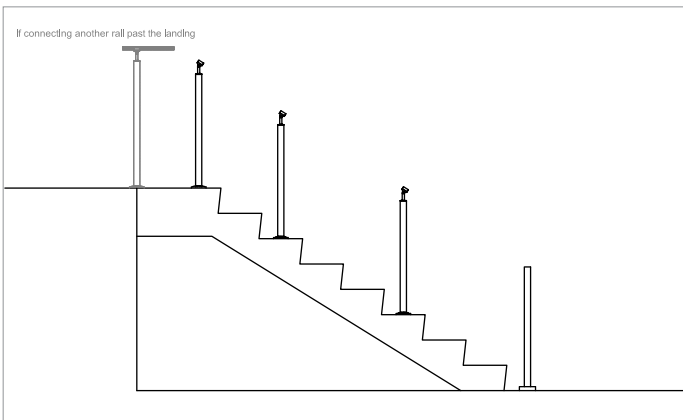
IMPORTANT: DO NOT GLUE ANY COMPONENTS DURING THESE STAGES.



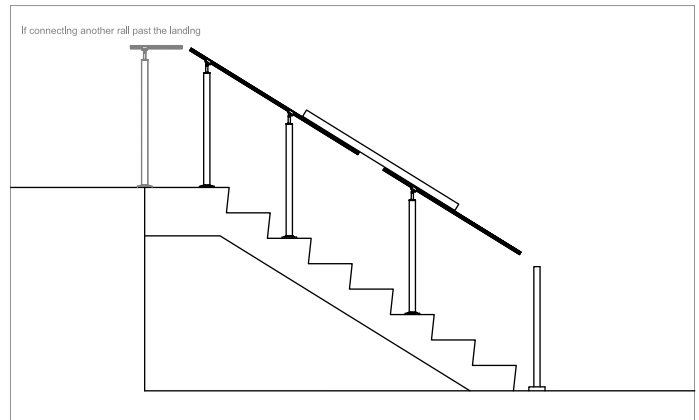
1. For Post Tubes, the height of the tube must be leveled and aligned from one tube to the next.



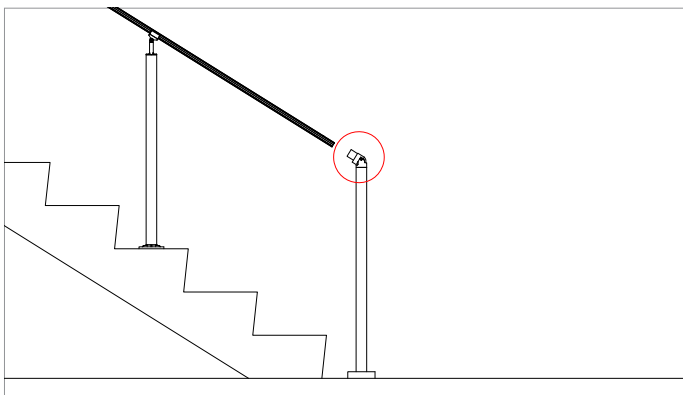
2. Measure and cut the tubes to the height desired; Consider the height of the balusters (and Base Mount if it is going to be used).



3. To check the level of the Post Tubes, temporarily fix the Base Mounts to the proposed locations, then temporarily install the Post Tubes with the Post Balusters on top.



4. Install the slide-in inserts from one baluster to the next and verify the alignment by using a level. Adjust and cut the post tube as necessary.



5. Once the Post Tubes alignment is satisfactory, proceed to install the Post Tubes.

NOTE: For elbows/returns, take careful considerations to ensure they are leveled. It is recommended to cut a portion of a Caprail and temporarily connect it to ensure it is leveled to the Slide-in Extrusion with the Post Tube.

Installation Guide

2.0 How to Install Wall Mounts and Post Tubes with Base Mount

- 2.1. How to Install Wall Mounts
- 2.2. How to Install Post Tubes with Base Mount
- 2.3. How to Install Post Embedding

Required Tools & Products

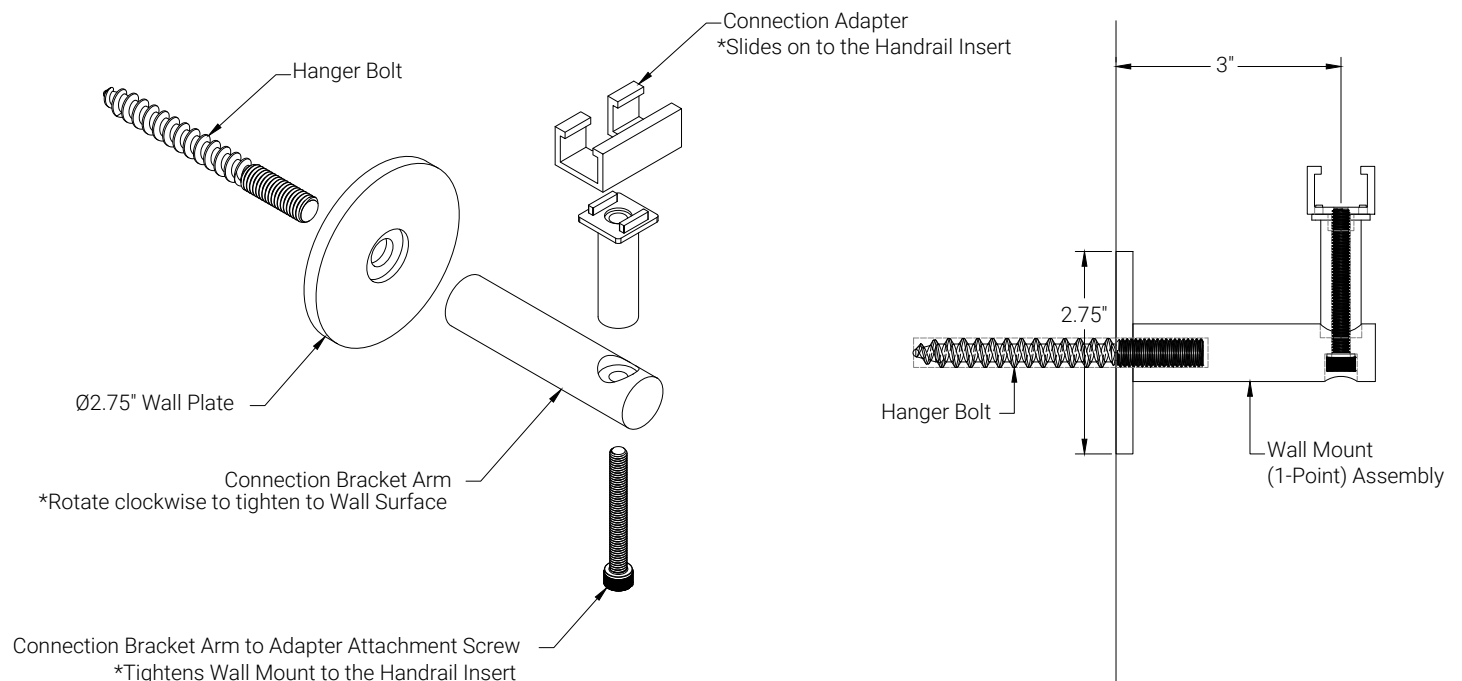
- M10 Drill Bit
- Drill
- M6 Allen Wrench
- 1/2" Drive Wrench
- M10 Bolt Driver Socket
- M8 Drill Bit
- M8 Bolt Driver Socket

NOTE:

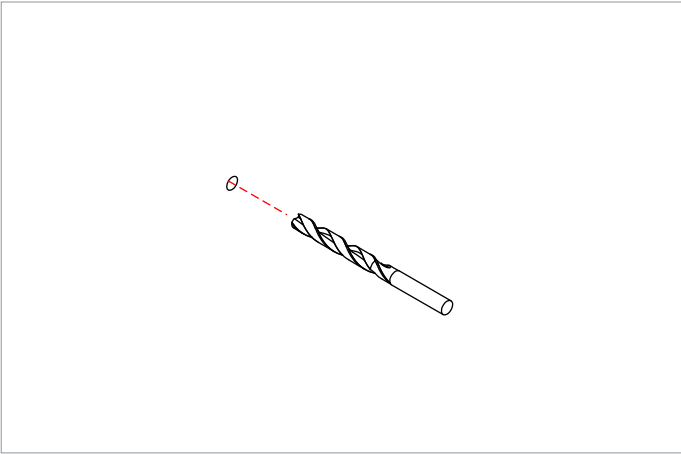
M10 Drill Bit & Bolt Driver Socket - for 1.9" Handrail only

M8 Drill Bit & Bolt Driver Socket - for 1.6", Square and Rectangle Handrails

(1 Point) Wall Mount Overview

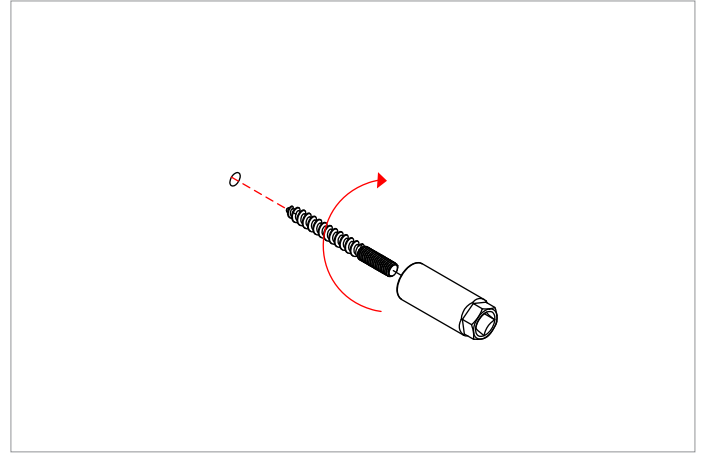


2.1 How to Install Wall Mounts (1.9" Handrail)

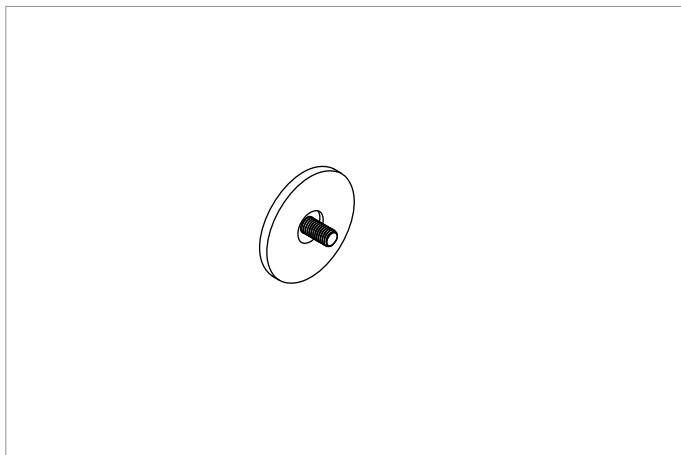


1. Use an M10 drill bit to countersink a hole for an M10 hanger bolt.

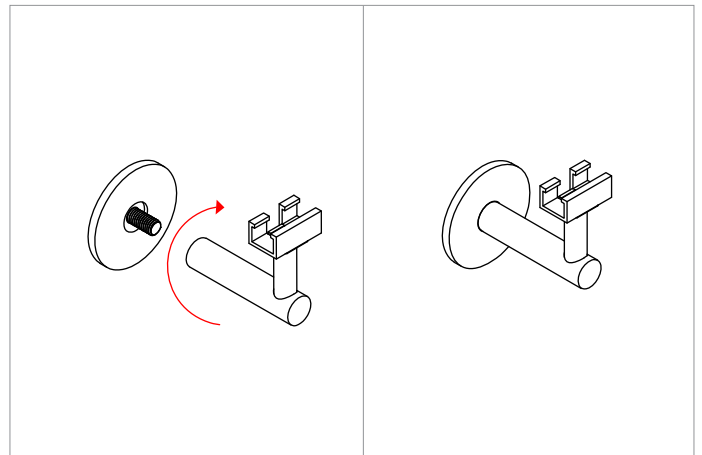
NOTE: Use anchors if required depending on the mounting substrate.



2. Use the provided M10 Bolt Driver Socket on the hanger bolt by using a ½" square drive wrench to tighten the bolt, rotating clockwise.



3. Place the Wall Mount Plate on the Hanger Bolt.



4. Turn the 1-Point Bracket assembly clockwise until it is tightened to the desired angle.

NOTE: If the desired angle position is too loose, return to step 2.1.2 to fine tune the hanger bolt rotation; use the provided M10 Bolt Driver Socket to tighten/loosen the bolt.

NOTE:

M10 Drill Bit & Bolt Driver Socket - for 1.9" Handrail only

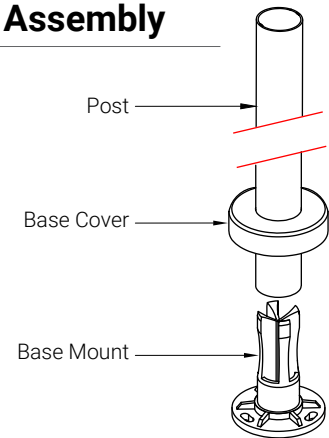
M8 Drill Bit & Bolt Driver Socket - for 1.6", Square and Rectangle Handrails

2.2 How to Install Post Tubes with Base Mount

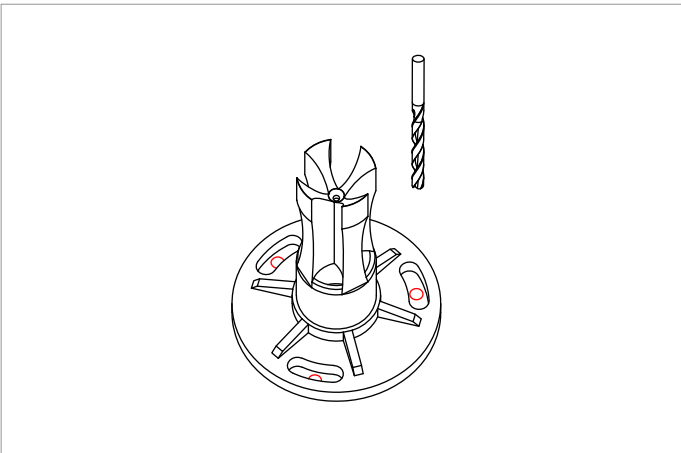
Required Tools & Products

- 3/8" Drill Bit
- Drill
- Wrench
- 3/8" Socket

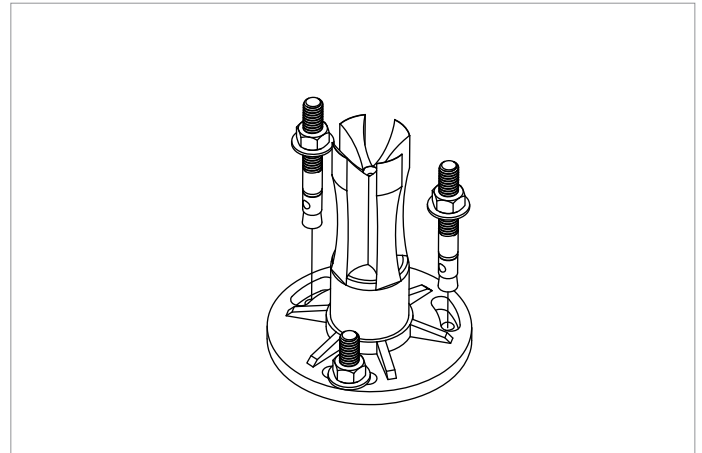
Post Mount Assembly



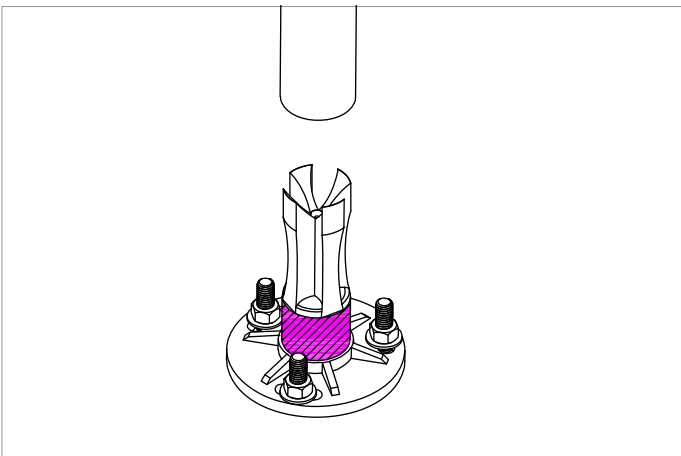
2.2 How to Install Post Tubes with Base Mount



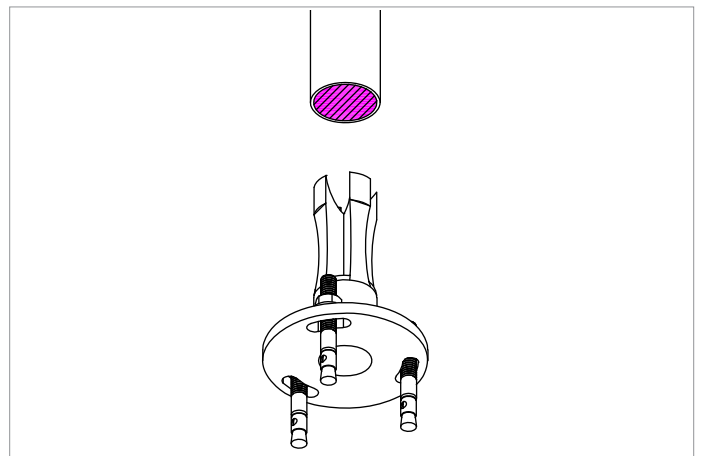
1. Use a 3/8" drill bit to counterbore holes on the floor.
NOTE: Use the Base Mount as a template reference for the hole placement.



2. Insert anchors and set as necessary.

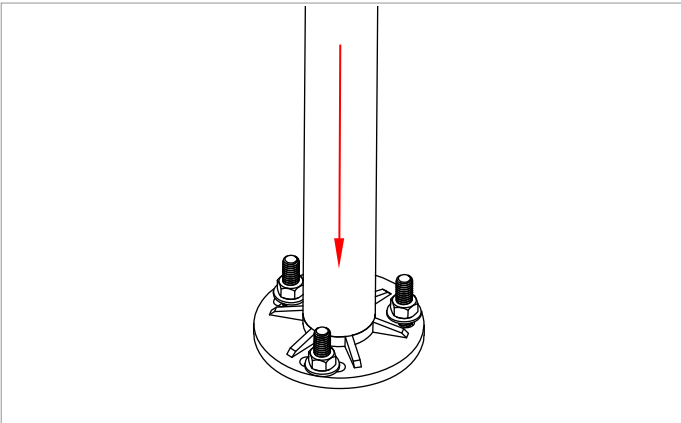


3. Use the provided 3M primer on the Base Mount.

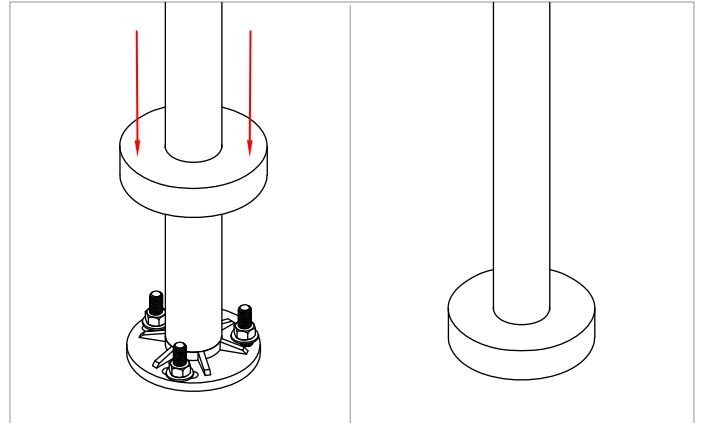


4. Then, apply the provided 3M contact cement glue on the interior of the Post Tube.

2.2 How to Install Post Tubes with Base Mount (continued)



5. Immediately set the Post Tube on the Base Mount.



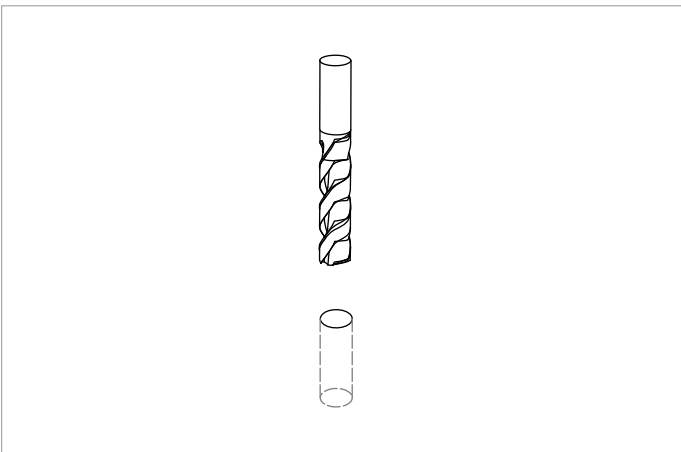
5. Slip over the Base Cover.

2.3 How to Install Post Embedding

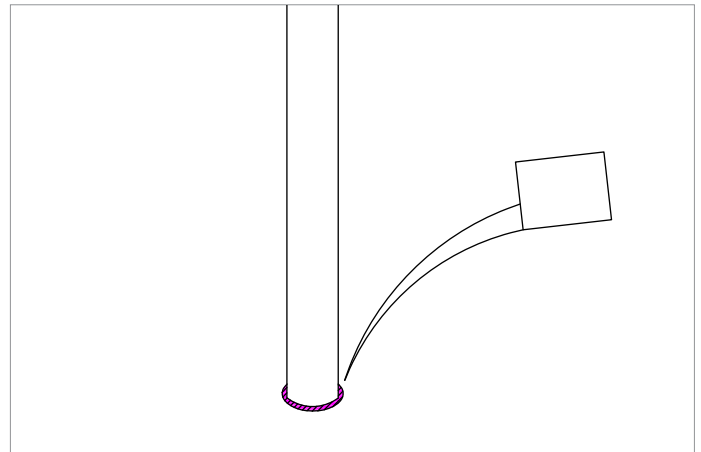
It is recommended to use a Base Mount install versus a Post Embedded install as a Base Mount allows for removal of the tube to be cut for adjustments. A Post Embedded install requires perfect precision and leveling with little room for error. Cutting the Post Embedded Tube in its vertical position will prove to be difficult and require special tools to be perfectly accurate.

Required Tools & Products

- 2" Hole Saw for Concrete
- Hammer Drill
- Cement or Equivalent



1. Counterbore a 2-3 inch diameter hole on surface.
Organic Lighting recommends 4-6 inch depth.



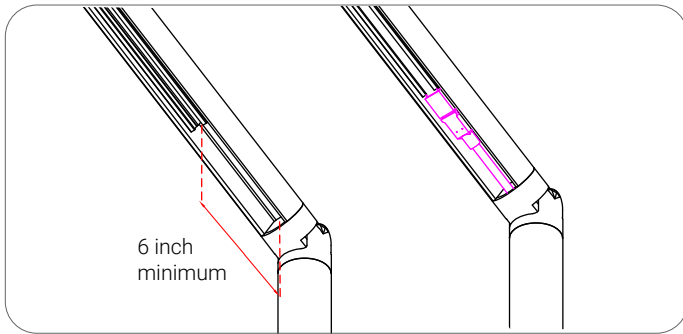
2. Position Post Tube inside the hole and fill with concrete or equivalent material.
NOTE: Before setting, ensure the alignment from one post to the next is accurate.

Installation Guide

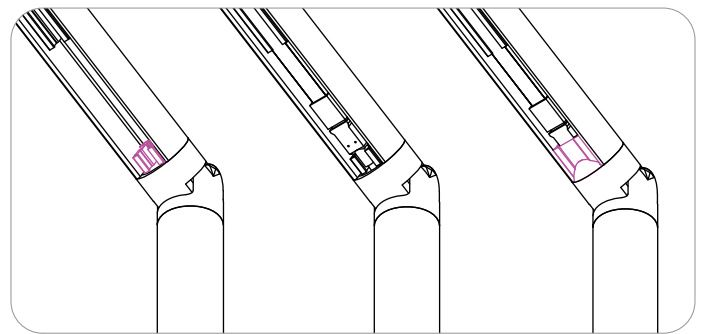
3.0 How to Install the Slide-in Extrusion to the Caprail.

3.1. Method 1: Use Pre-installed 3M Tape and Apply to Caprail (Standard)

3.2. Method 2: Use a Mechanical Screw (Optional)

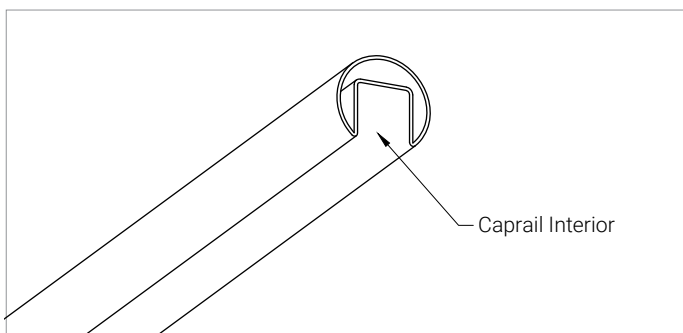


NOTE: Make sure to give 6 inches or more spacing for areas where there is an OrgaLED LED connection present.

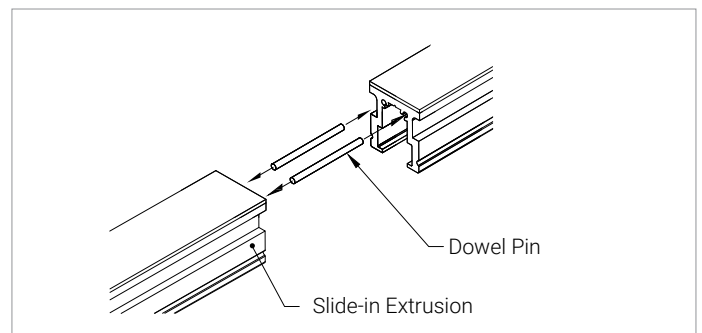


NOTE 2: Make sure to add a 1.25" length Slide-in Extrusion for the transition covers on areas where a Post Tube to Caprail Elbow part is located.

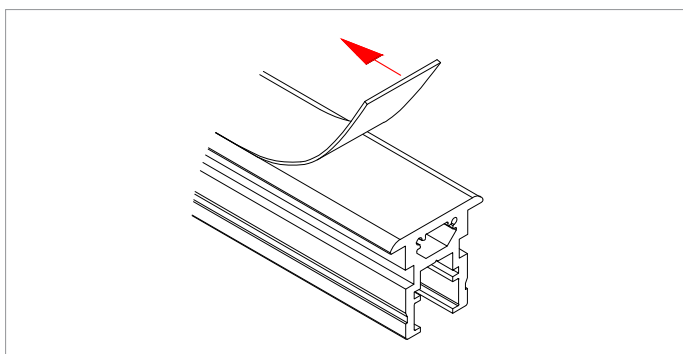
3.1 Method 1: Use Pre-installed 3M Tape and Apply to Caprail (Standard)



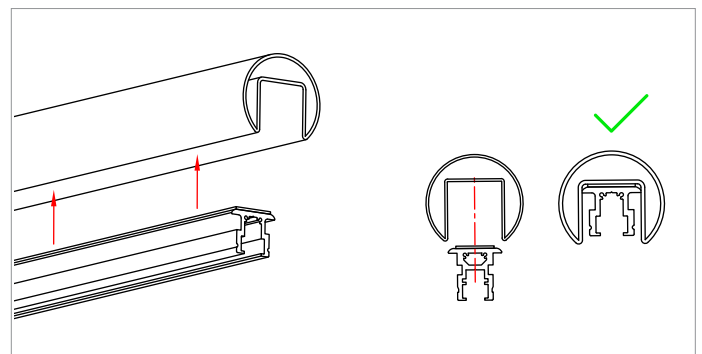
1. Clean Caprail interior, free from dirt and debris.



2. Install provided dowel pins (optional).



3. Remove 3M protective backing from the Slide-in Extrusion.

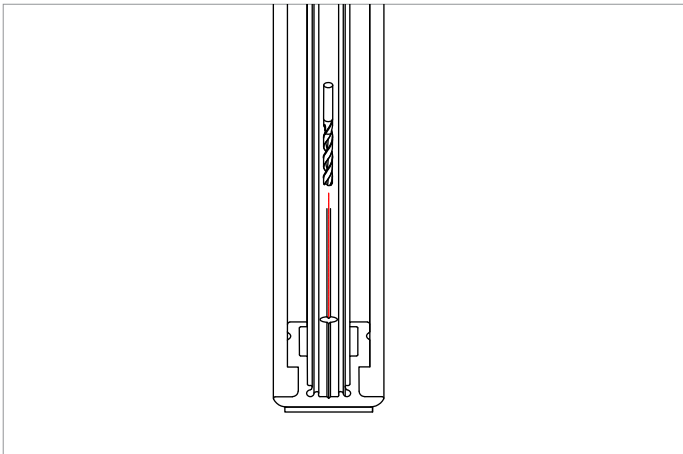


4. Adhere to the Caprail.

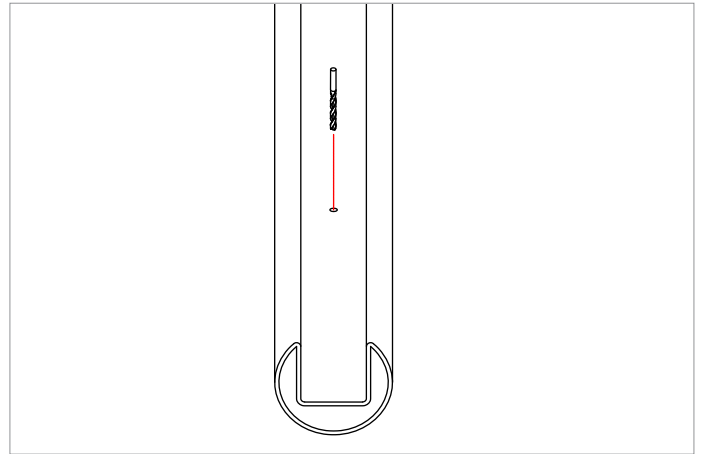
3.2 Method 2: Use A Mechanical Screw (Optional)

Required Tools & Products

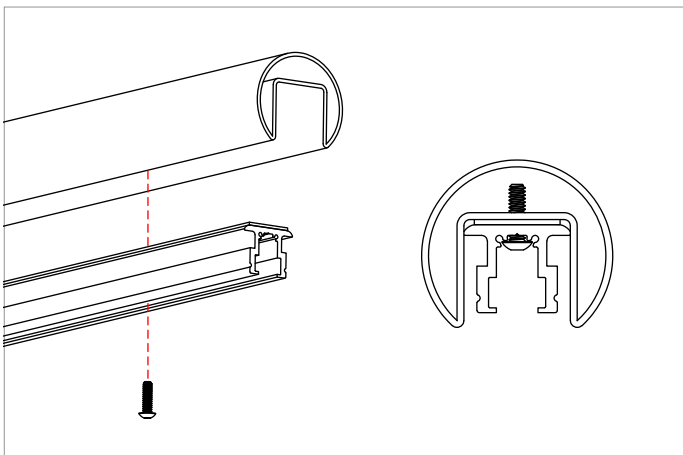
- Drill
- Drill Bit
- 6-32 pan head (for 1.6" Caprail); length not to exceed 3/4"
- 8-32 pan head (for 1.9" Caprail); length not to exceed 7/8"



1. Drill a through hole on the Slide-in Channel with spacing every 8" (200mm).



2. Drill-and-tap a thread on the Caprail to match the Slide-in Extrusion.



3. Drive in the mechanical screw to fix the Extrusion and Caprail together.

Installation Guide

4.0 How to install brackets on Caprail

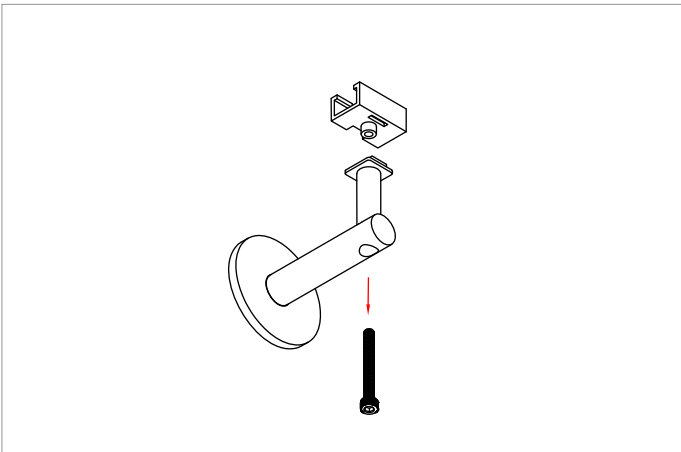
4.1. How to Install Wall Mount Bracket to Caprail

4.2. How to Install Post Baluster Bracket to Caprail

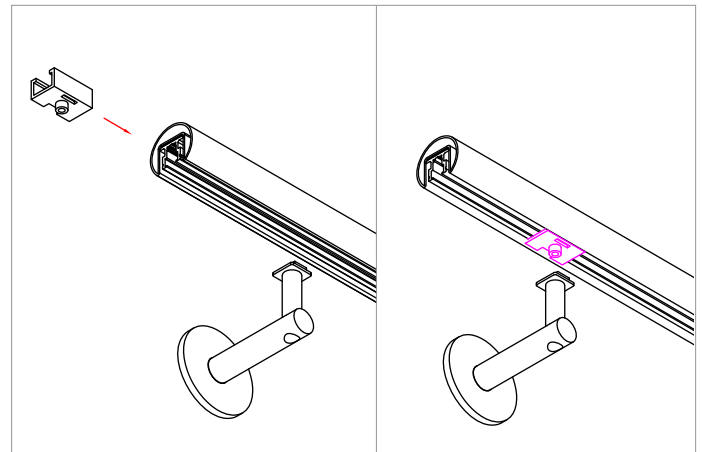
Required Tools & Products

- M6 Allen Wrench

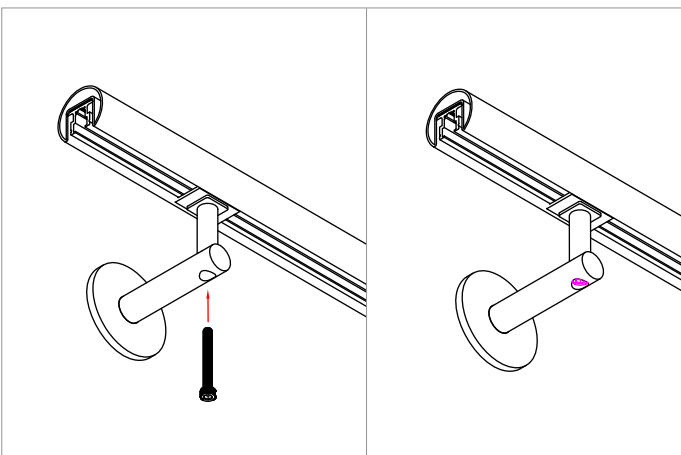
4.1 How to Install Wall Mount Bracket to Caprail



1. Use an M6 allen wrench to loosen bolt that is holding the Top Bracket.

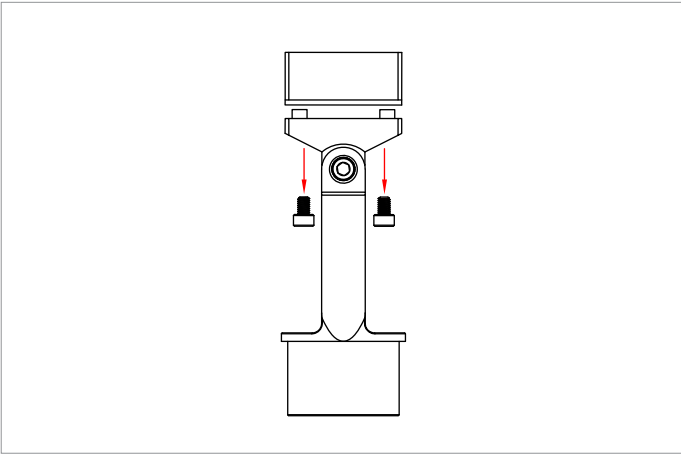


2. Slide the now separated Top Bracket onto the Slide-in Extrusion on the Caprail.

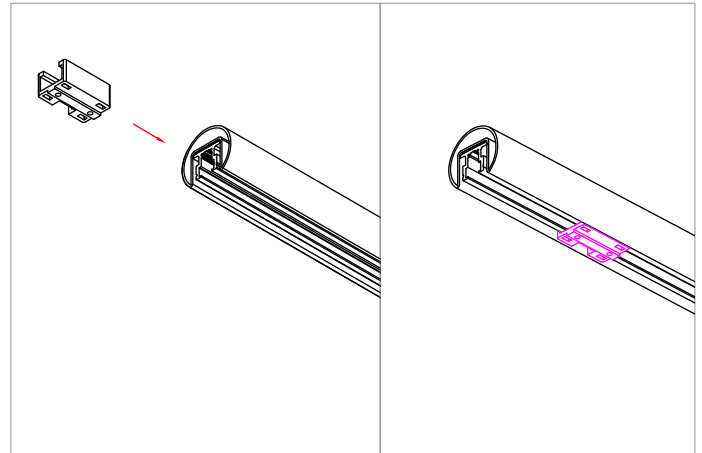


3. Align the Top Bracket to the Wall Mount and tighten the screw to secure it in place.

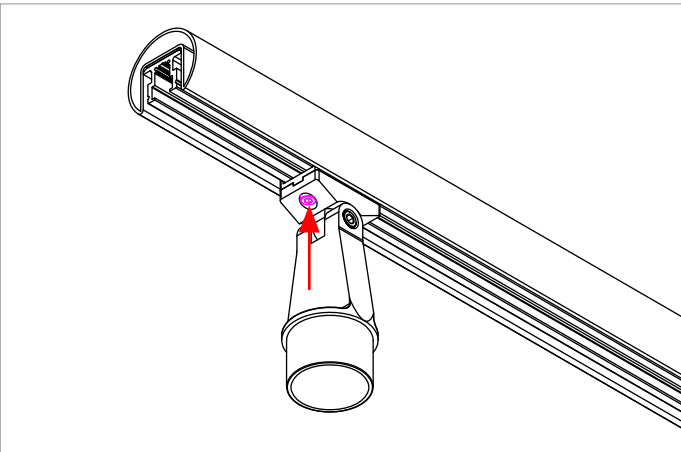
4.2 How to Install Post baluster Bracket to Caprail



1. Use an M4 allen wrench to loosen the two bolts holding the Top Bracket.



2. Slide the now separated Top Bracket along the Slide-in Extrusion on the Caprail.



3. Align the Top Bracket to the Post Baluster and tighten the two screws to secure it in place.

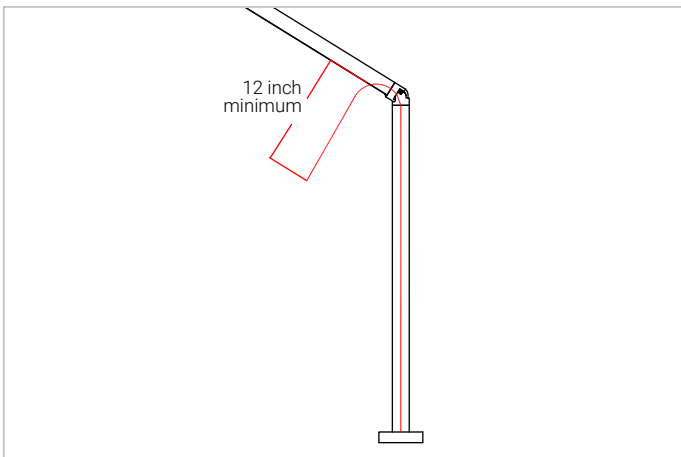
Installation Guide

5.0 Installing OrgaLED Lights

Required Tools & Products

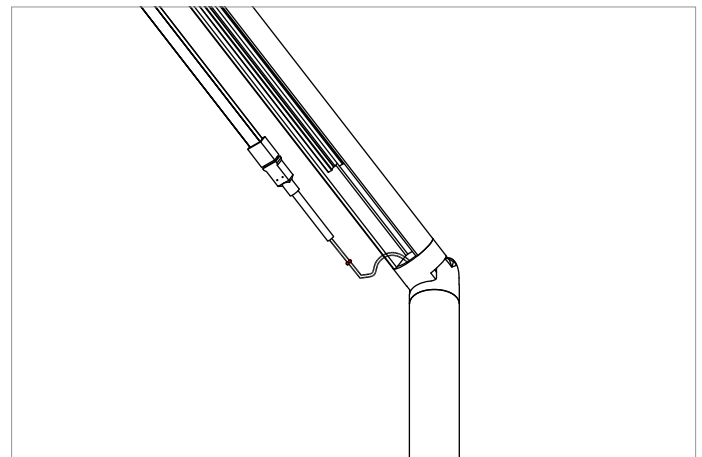
- Wire Cutter
- Waterproof Wire Nuts

5.0 How to Install OrgaLED LED Lights

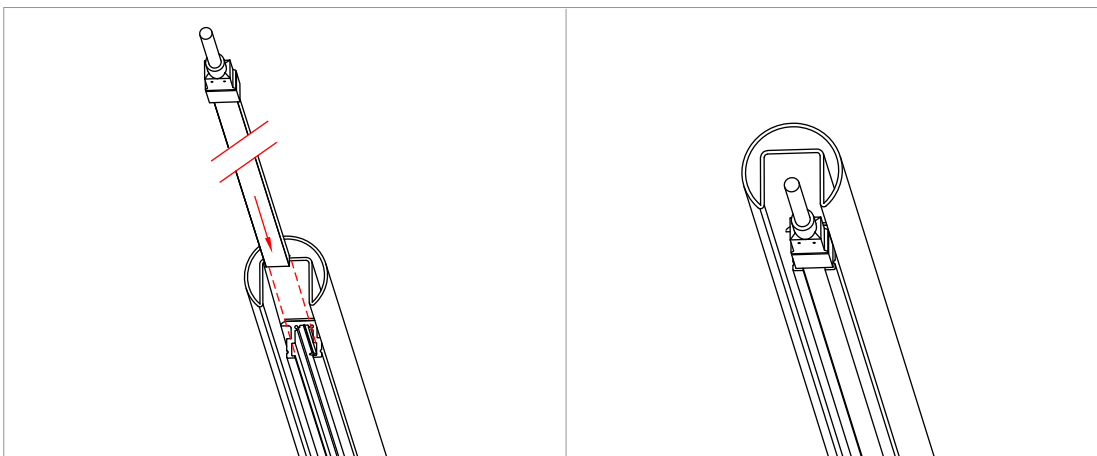


1. Run wires through the posts.

Note: Ensure the cord extends out 12 inches or more past the top of the posts.



2. Splice the LED Starter Cable and use waterproof wire nuts. Tuck the cables neatly inside the tube.

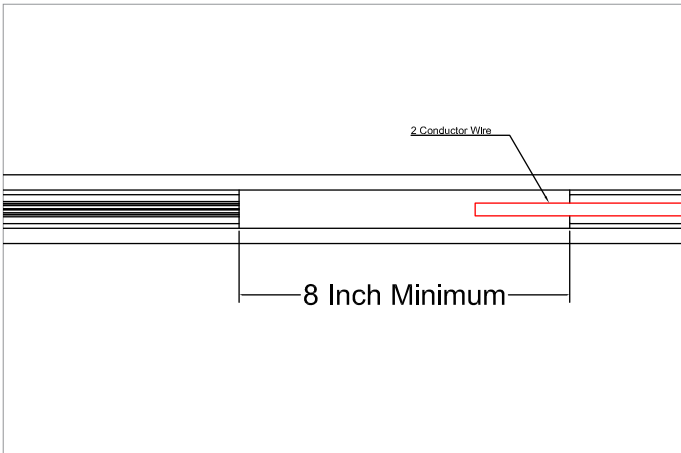


3. Lastly, slide the OrgaLED LED into the Slide-in Extrusion.

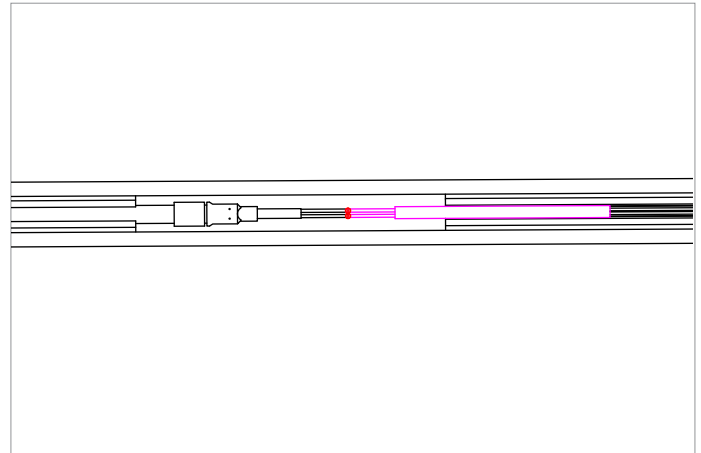
5.4 How to Install OrgaLED LED Lights (Special Application)

If there is an OrgaLED LED starting point in the middle of the OrgaRail (**SKIP IF PROJECT DOES NOT REQUIRE**)

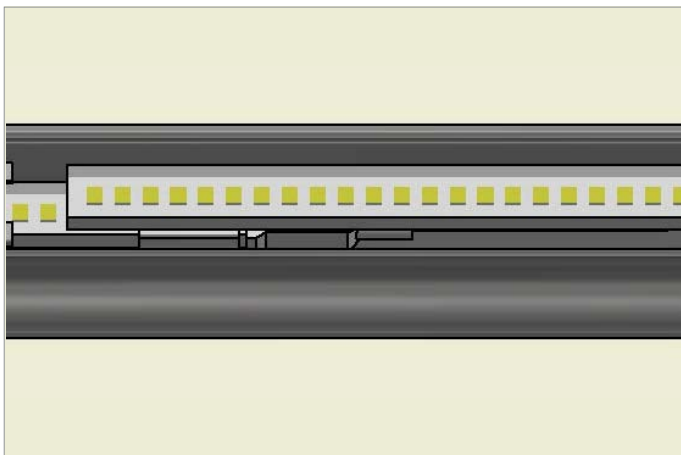
NOTE: Ensure there is at least 8 inches distance between the Slide-in Extrusions along the Caprail.



4. Run parallel wires through the Slide-in Extrusion.



5. Shorten the starter cable of the OrgaLED, ensuring enough space for splice connectors



6. Overlap the OrgaLED LED Connector from the previous run to eliminate any break in the light.

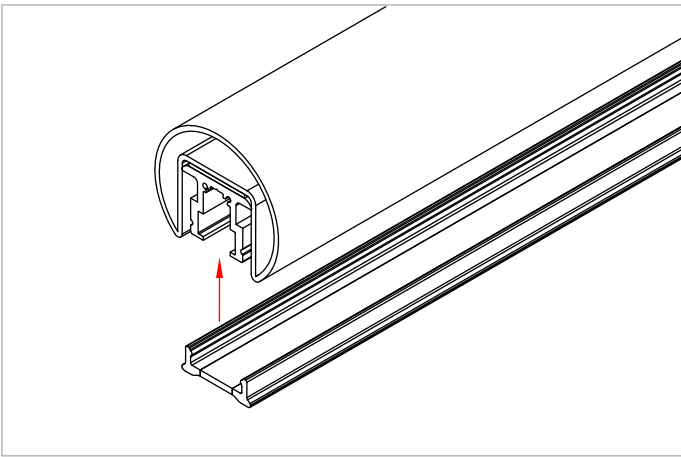
Installation Guide

6.0 How to Install OrgaRail Lenses

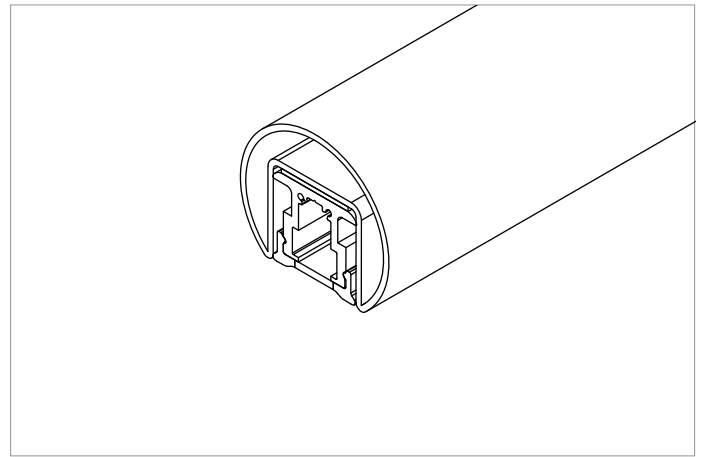
Required Tools & Products

- Chop Saw

6.0 How to Install OrgaRail Lenses

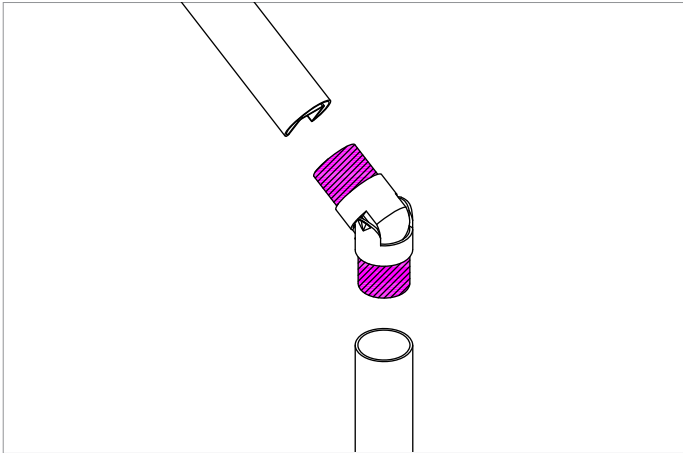


1. Cut OrgaRail Lens to desired length using a chop saw.

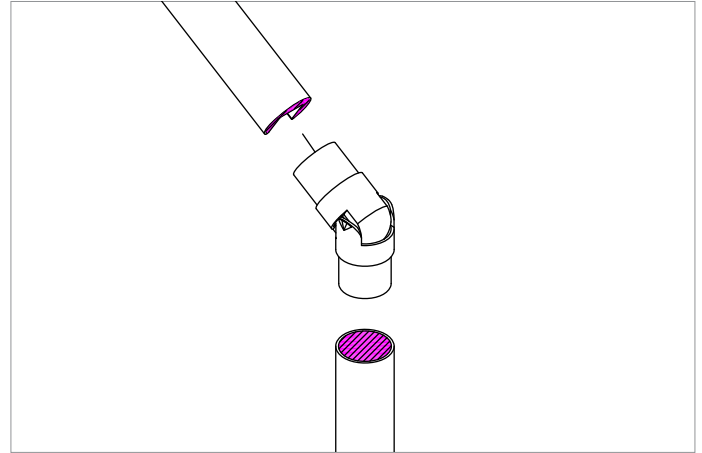


2. After cutting lens to size, push the lens firmly into the Slide-in Extrusion.

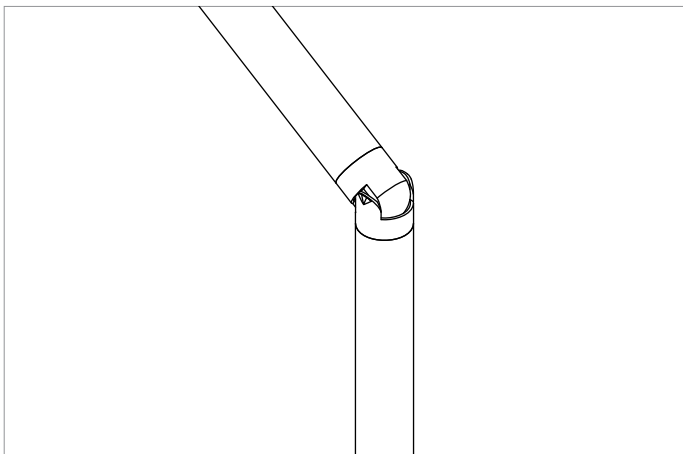
7.0 How to Install OrgaRail Elbows / Joints / Connectors / End Caps



1. Use the provided 3M primer on the textured areas of the components.



2. Then, apply the provided 3M contact cement glue on the interior of the tubes.



3. Immediately set the Post Tube on the Base Mount.

OrgaLED LED Product Specifications (Symmetric) - 24V

Compatible with Slide-Fed Symmetric applications. Can be made Asymmetric with an Asymmetric lens. Flexible UV/IR protected PVC encapsulated LEDs with a continuous run length of up to 66ft (20.1m)

Color	CRI	Lm/ft	Lm/m	Max Run	W/ft	W/m
OrgaLED® Deco Top						
2700K	>94	35.1	115.1	66ft	20.1m	0.3 0.98
3000K	>94	36	118.1	66ft	20.1m	0.3 0.98
3500K	>94	36	118.1	66ft	20.1m	0.3 0.98
4000K	>94	38.1	125	66ft	20.1m	0.3 0.98
5000K	>94	38.1	125	66ft	20.1m	0.3 0.98

OrgaLED® Power Top						
2700K	>94	116.8	383.1	66ft	20.1m	1 3.3
3000K	>94	120.1	393.9	66ft	20.1m	1 3.3
3500K	>94	120.1	393.9	66ft	20.1m	1 3.3
4000K	>94	127	416.6	66ft	20.1m	1 3.3
5000K	>94	127	416.6	66ft	20.1m	1 3.3

OrgaLED® High Power Top						
2700K	>94	198.6	651.4	66ft	20.1m	1.7 5.6
3000K	>94	204.2	669.8	66ft	20.1m	1.7 5.6
3500K	>94	204.2	669.8	66ft	20.1m	1.7 5.6
4000K	>94	215.9	708.2	66ft	20.1m	1.7 5.6
5000K	>94	215.9	708.2	66ft	20.1m	1.7 5.6

OrgaLED® RGBW Top						
RGBW27K	>90	120.6	395.6	33ft	10m	2.2 7.2
RGBW30K	>90	120.6	395.6	33ft	10m	2.2 7.2
RGBW40K	>90	120.6	395.6	33ft	10m	2.2 7.2

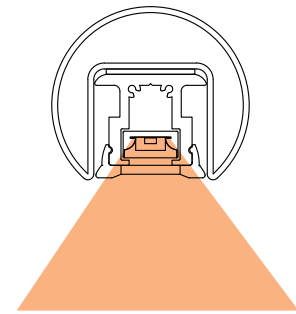
OrgaLED® Photon 1200 Top						
2700K	>94	275.4	903.3	23ft	7m	1.8 5.9
3000K	>94	291.6	956.4	23ft	7m	1.8 5.9
4000K	>94	324	1062.7	23ft	7m	1.8 5.9
5000K	>94	315.9	1036.2	23ft	7m	1.8 5.9
6500K	>94	311	1020.1	23ft	7m	1.8 5.9

OrgaLED® Photon 2000 Top						
2700K	>94	459	1505.5	20ft	6m	3 9.8
3000K	>94	486	1594.1	20ft	6m	3 9.8
4000K	>94	540	1771.2	20ft	6m	3 9.8
5000K	>94	526	1725.3	20ft	6m	3 9.8
6500K	>94	518.4	1700.4	20ft	6m	3 9.8

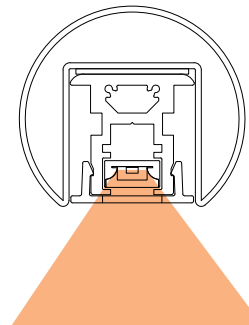
OrgaLED® Photon 3000 Top						
2700K	>94	703.8	2308.5	16ft	5m	4.6 15.1
3000K	>94	745.2	2444.3	16ft	5m	4.6 15.1
4000K	>94	828	2715.8	16ft	5m	4.6 15.1
5000K	>94	807.3	2647.9	16ft	5m	4.6 15.1
6500K	>94	794.9	2607.3	16ft	5m	4.6 15.1

OrgaLED® Photon 4000 Top						
2700K	>94	887.4	2910.7	16ft	5m	6 19
3000K	>94	939.6	3081.9	16ft	5m	6 19
4000K	>94	1044	3424.3	16ft	5m	6 19
5000K	>94	1017.9	3338.7	16ft	5m	6 19
6500K	>94	1002.2	3287.2	16ft	5m	6 19

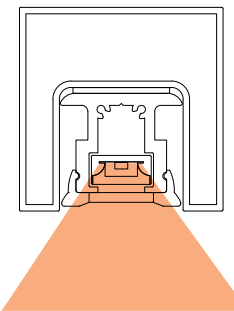
1.6" Round Handrail



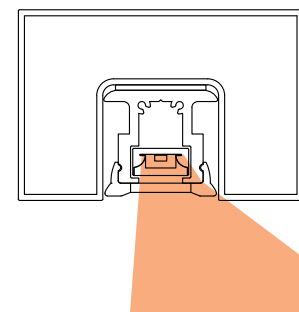
1.9" Round Handrail



Square Handrail



Rectangle Handrail

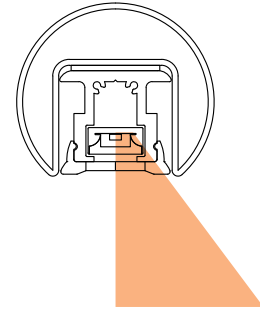


OrgaLED LED Product Specifications (Asymmetric) - 24V

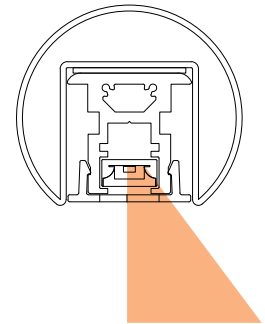
Push-fit LEDs. Designed for 2D/ 3D Bending and Asymmetric applications. Flexible UV/IR protected PVC encapsulated LEDs with a continuous run length of up to 33ft(10.1m).

Color	CRI	lm/ft	lm/m	W/ft	W/m
OrgaLED® Deco Side					
2700K	>94	33.8	110.9	0.4	1.3
3000K	>94	34.7	113.8	0.4	1.3
3500K	>94	34.7	113.8	0.4	1.3
4000K	>94	36.7	120.4	0.4	1.3
5000K	>94	36.7	120.4	0.4	1.3
OrgaLED® Power Side					
2700K	>94	118.1	387.4	1.4	4.6
3000K	>94	121.5	398.5	1.4	4.6
3500K	>94	121.5	398.5	1.4	4.6
4000K	>94	128.4	421.2	1.4	4.6
5000K	>94	128.4	421.2	1.4	4.6
OrgaLED® High Power Side					
2700K	>94	202.5	664.2	2.4	7.9
3000K	>94	208.2	683	2.4	7.9
3500K	>94	208.2	683	2.4	7.9
4000K	>94	220.1	721.9	2.4	7.9
5000K	>94	220.1	721.9	2.4	7.9

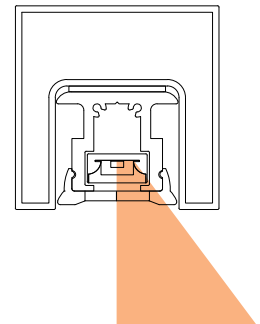
1.6" Round Handrail



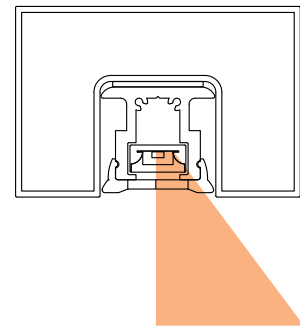
1.9" Round Handrail



Square Handrail



Rectangle Handrail



General

Read the instructions and safety precautions before installation, usage and storage of the products to secure safety of the user and reliability of the product. Hand over the instructions to the end-user and/or those responsible for installation, maintenance and usage.

Organic Lighting Systems, Inc. cannot be held responsible for improper handling, product installation, usage or storage.

Handling

- Handle with care.
- The product may not be modified or converted otherwise than prescribed.
- Products are transported in proper packaging. Products should remain packed until installation.

Installation

- Attention: The power has to be switched off the main power supply or the connection before installation. Not doing so may damage the product.
- Use a suitable LED power supply/driver: 24 V DC constant voltage. Do not drive the product on other voltages than described in their data sheet/products specifications.
- Installation has to be done by a certified professional with knowledge of electrical circuits or a specialized maintenance person known with valid directives.
- General and local construction, safety- and installation regulations should be respected.
- Use only supplied parts, accessories and required tools as prescribed in the installation manual to guarantee a safe installation and use of the product.
- Products may solely be installed in the areas according to their prescribed IP-rating, IK-rating, temperature range and chemical resistances.
- Do not fasten anything on the product, same applies for hanging.
- Do not install the product in the following cases:
 - Damage is visible on the product or its cables.
 - The inside of the product is moistened or dirty.
 - The product or its cables have been modified. It could lead to an electrical shock or a short circuit may occur.
 - Children may not play unsupervised with electrical products as they cannot judge the dangers in dealing with electrical circuits correctly.

Operation and Use

Solely use the product when its working correctly. If not, switch the power off immediately and advise an electrical specialist in the following case.

- Damage is visible on the product.
- The product does not function.
- Smoke or steam rises from the product.
- Crackling sounds are noticeable.
- The product is overheating.
- Repairs on the installation may only be performed by qualified electricians. Product repairs may solely be done by Organic Lighting Systems, Inc.

Cleaning and Maintenance





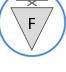





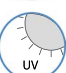






- Attention: Disconnect the power before maintenance and cleaning.
- Dust and dirt accumulated over time should be removed from the light-emitting surface to assure optimal functioning of the product.
- Paints, solvents and corrosive cleaning chemicals may not contact and thus affect the product.

Maintenance Products: Q-Ultra-Clean 16.9 fl.oz. / Cleaning Spray (#0190610), Q-Protector 16.9 fl.oz. / Stainless Steel Protection (#0190602), 3M Scotch-Brite Abrasive Pad (#0190611)

Environment and Waste

- Exterior decorative lighting should only be used after sunset.
- This product may not be treated as household waste. Dispose of the material through the waste recycling of electrical and electronic equipment.

Symbols

-  UL is a world leader in product safety testing and certification. UL sets standards and tests products to make sure they meet standards.
-  The ETL Listed mark indicates that your product has been tested by Intertek and found in compliance with accepted UL standards.
-  Electro Static Discharge (ESD) sensitive device, apply standard ESD precautions when handling the product. Manufacturer's declaration that the product meets the applicable EC directives.
-  Suitable for mounting on all surfaces and suitable to cover with insulating material.
-  Restriction of Hazardous Substances (RoHS): product complies with the RoHS directive and each homogeneous material does not exceed the limits for the materials mentioned under the RoHS directive (Pb, Hg, Cd, Cr6+, PBB and PBDE).
-  This product can be both IP40 and IP67 depending on the configuration and application. See the documentation for the exact IP rating.
-  Bending of the LED strip is possible with a radius of ≥ 1.2 inches in the specified direction.
-  Electrical appliance class III: this product is designed to be supplied from an extra-low voltage (≤ 60.0 V DC or ≤ 42.4 V AC).
-  System guarantee of 5 years when the complete system consist of OrgaLED® products with the 5 year system warranty logo.
-  Product is resistant against ultraviolet (UV) light or sunlight. Non-UV resistant products can degrade or discolor fast when exposed to UV.
-  Product can be cleaned with normal cleaning agents as specified in the datasheet under 'chemical compliances.'
-  This product can be stored and used below 32 degrees Fahrenheit. Verify the minimum storage and operation temperature in the datasheet for the lowest temperature allowed.
-  This product can be applied in seawater and its environment. Elements in seawater will have no harmful effect on the product. For chemical specifications see datasheet. Verify the IP rating for proper use.
-  This product can be applied inside swimming pool environments. Elements in the air will have no harmful effect on the product. For chemical specifications of these elements see datasheet. Verify the IP rating for proper use.
-  This product is available on request and can be submerged n swimming pools and their environments. Disinfectants will have no harmful effect on product. For chemical specifications of these elements see datasheet. Verify the IP rating for proper use.
-  The CRI value of this product is 94 or higher.
-  The binning tolerance of this product is 2 MacAdam.

Disclaimer

The published information is checked to be as accurate as possible, however Organic Lighting, or any reseller of OrgaLED® and/or OrgaRail® cannot be held liable for any damages resulting from errors or outdated information. Organic Lighting reserves the right to modify the information without informing the costumers. When this document is printed or downloaded, please check for the latest version on the internet, the most up to date information will be published on www.organiclighting.com. This product should not be used in applications, devices or systems where incorrect operation of the product may result in personal injury (includes emergency lighting) without written permission from Organic Lighting. If nevertheless used in such applications, devices or systems Organic Lighting cannot be held liable for any resulting injury.