

3-IN-1 DIMMING DRIVERS

20W-300W 120-277V AC

Constant Voltage



Efficiency	> 84%
Power Factor	> 0.90
Case TC	194°F/90°C Max.
Protection	Input / Output
Storage	-22°F/194°F -30°C/+90°C
Humidity	95% RH Max.
IP Rating	IP67
Class	Class 2 Power Supply
Dimming	TRIAC/ELV/0-10V
Constant Voltage	24V

FEATURES

- High performance LED driver
- Universal Input Voltage: 120-277V AC, 50/60 Hz
- Universal dimming with ELV, Triac, 0-10V & 1-10V dimmers 100-1%
- Flicker free dimming
- Aluminum casing for optimal heat dissipation
- Isolated output power per NEC and UL safety requirements
- UL & ETL recognized/ listed, meets UL 8750, 1310 requirements
- Auto-reset; short circuit, overload and thermal protection
- Class 2 power supply
- Efficient, High Power factor > 0.90
- Exceeds California Title 24 Requirements, AAA rating

POWER SUPPLIES - 24V

Forward Phase, Reverse Phase, & 0-10V Dimming Drivers. Outdoor enclosures available.

Part #	Ingress	Voltage	Wattage	Dimensions (inches / mm)	Description
045001	IP67	100-305V	20W	7.6 x 1.18 x 0.79 / 193 x 30 x 20	Dimmable LED Driver
045002	IP67	100-305V	40W	5.83 x 1.58 x 0.87 / 148 x 40 x 22	Dimmable LED Driver
045003	IP67	120-277V	60W	6.3 x 2.24 x 1.5 / 160 x 57 x 38	Dimmable LED Driver
045004	IP67	120-277V	75W	6.3 x 2.24 x 1.5 / 160 x 57 x 38	Dimmable LED Driver
045005	IP67	120-277V	96W	7.6 x 2.24 x 1.5 / 193 x 57 x 38	Dimmable LED Driver
045006	IP67	120-277V	200W	10.1 x 3.03 x 1.8 / 257 x 77 x 46	Dimmable LED Driver
045007	IP67	120-277V	300W	11.9 x 3.03 x 1.8 / 302 x 77 x 46	Dimmable LED Driver

ENCLOSURES

Part #	Ingress	Dimensions (inches / mm)	Description
045008	IP67	11.02 x 4.05 x 2.2 / 280 x 103 x 56	20W Enclosure
045009	IP67	11.02 x 4.05 x 2.2 / 280 x 103 x 56	40W Enclosure
045010	IP67	11.02 x 4.05 x 2.2 / 280 x 103 x 56	60W Enclosure
045011	IP67	11.02 x 4.05 x 2.2 / 280 x 103 x 56	75W Enclosure
045012	IP67	11.02 x 4.05 x 2.2 / 280 x 103 x 56	96W Enclosure
045013	IP67	16.7 x 9.8 x 2.3 / 424 x 249 x 58	200W Enclosure
045014	IP67	16.7 x 9.8 x 2.3 / 424 x 249 x 58	300W Enclosure

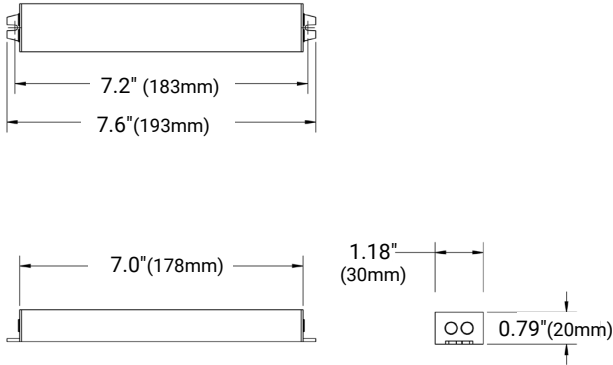


* Specifications sheets are subject to change without notification.

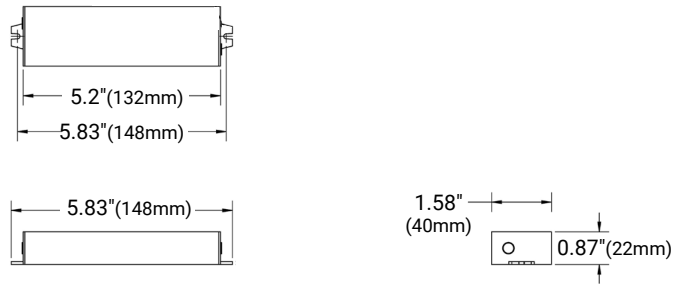
3-IN-1 DIMMING DRIVERS

Driver Dimensions

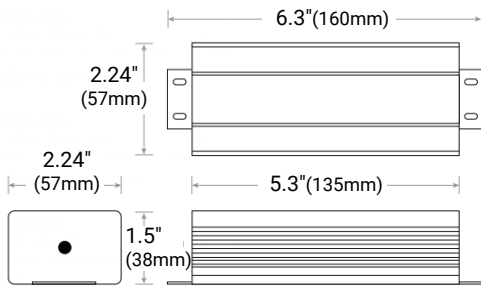
20W Dimmable Driver 7.6" (7.0") x 1.18" x 0.79"
(193 x 30 x 20mm)



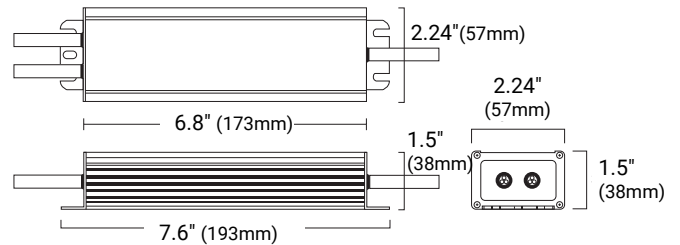
40W Dimmable Driver 5.83 (5.2") x 1.58" x 0.87"
(148 x 40 x 22mm)



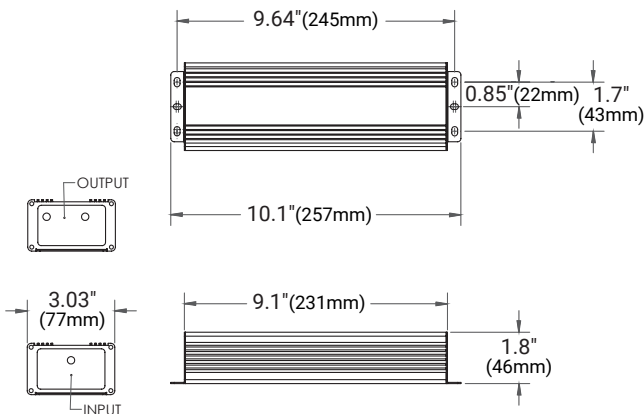
60W / 75W Dimmable Driver 6.3" (5.3") x 2.24" x 1.5"
(160 x 57 x 38mm)



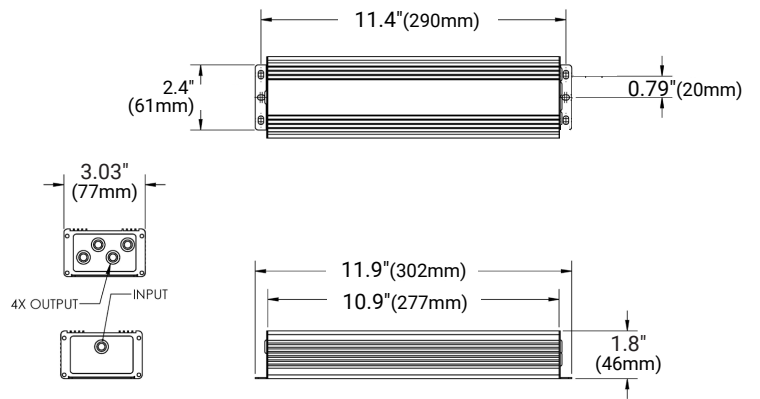
96W Dimmable Driver 7.6" (6.8") x 2.24" x 1.5"
(193 x 57 x 38mm)



200W Dimmable Driver 10.1" (9.1") x 3.03" x 1.8"
(257 x 77 x 46mm)



300W Dimmable Driver 11.9" (10.9") x 3.03" x 1.8"
(302 x 77 x 46mm)

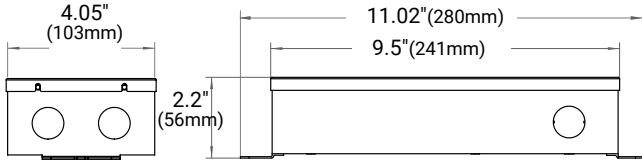


* Specifications sheets are subject to change without notification.

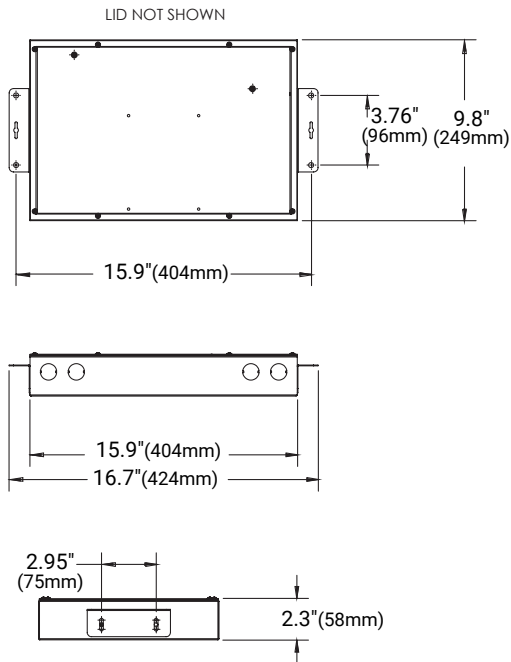
3-IN-1 DIMMING DRIVERS

Enclosure Dimensions

20W / 40W / 60W / 75W / 96W Enclosure 11.02" (9.5") x 4.05" x 2.2"
(280 x 103 x 56mm)



200W / 300W Enclosure 16.7" (15.9") x 9.8" x 2.3"
(424 x 249 x 58mm)

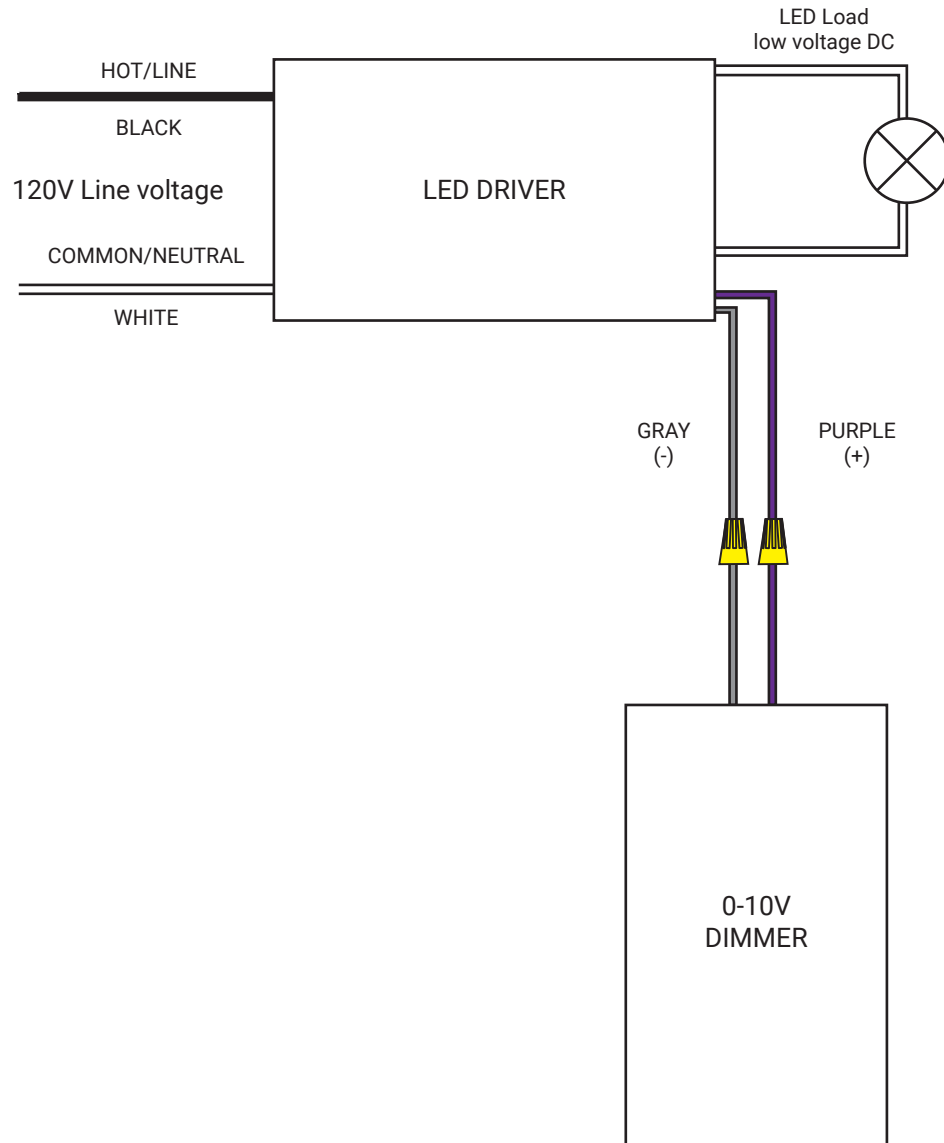


* Specifications sheets are subject to change without notification.

3-IN-1 DIMMING DRIVERS

Wiring Diagram

0-10V Dimming



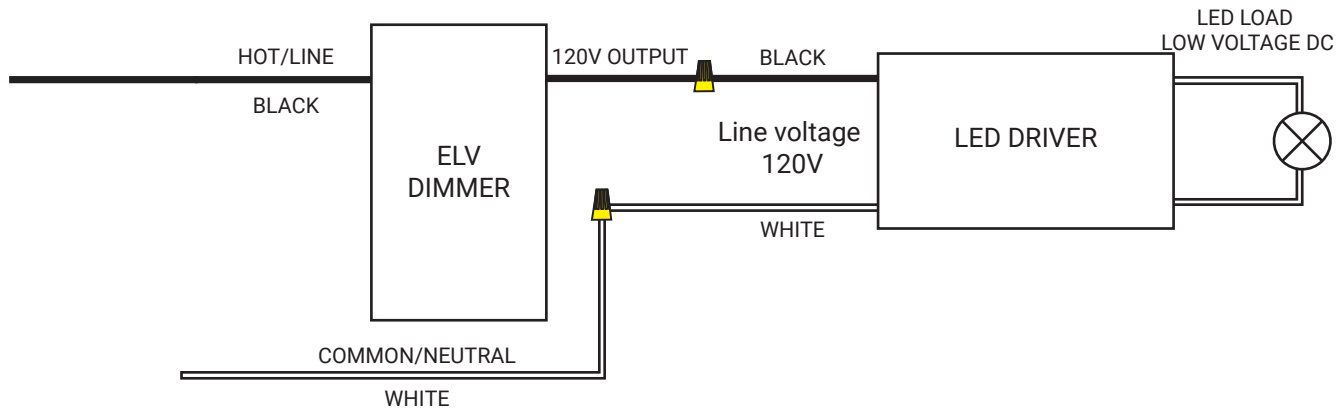
CAUTION:

- Always follow local electrical code regulations when installing LED drivers & fixtures.
- DO NOT attach 0-10V dimming wires to hot / line voltage wire.
- Leave wire caps on 0-10V dimming wires when not in use to prevent short circuit.
- DO NOT install / use ELV and 0-10V dimmers simultaneously on one driver.

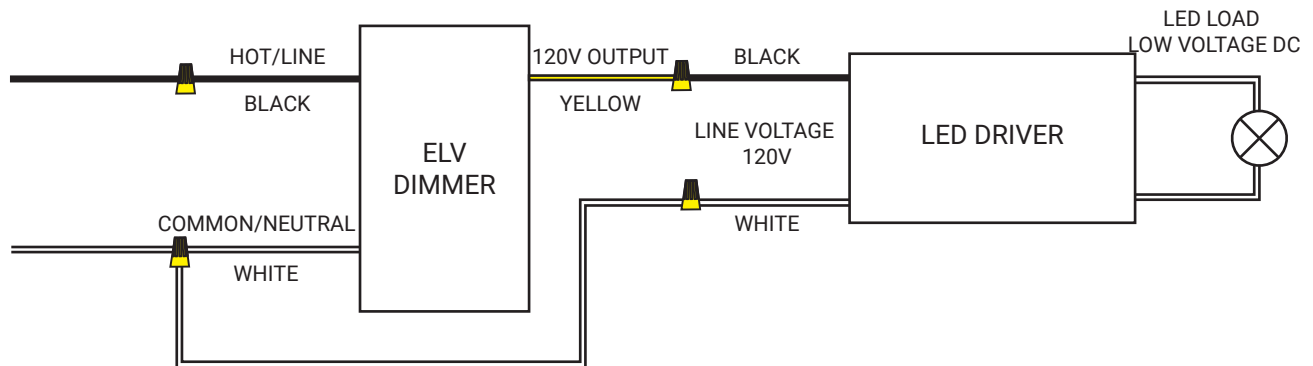
3-IN-1 DIMMING DRIVERS

Wiring Diagram

TRIAC Dimming



Reverse Phase ELV Dimming



CAUTION:

- Always follow local electrical code regulations when installing LED drivers & fixtures.
- DO NOT attach 0-10V dimming wires to hot / line voltage wire.
- Leave wire caps on 0-10V dimming wires when not in use to prevent short circuit.
- DO NOT install / use ELV and 0-10V dimmers simultaneously on one driver.