

Aeris® - Cordless 24V

Low Voltage Cordless Adjustable Suspension System - with K-Grip®



Project _____

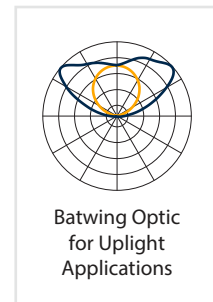
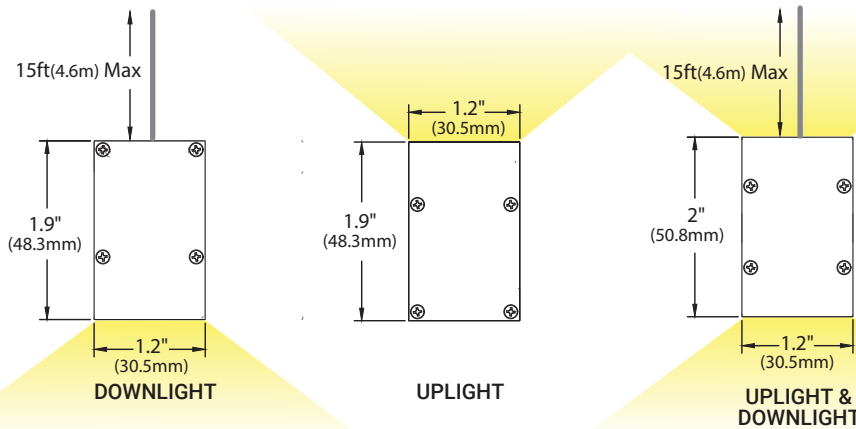
Date _____

AVAILABLE LENGTHS



The Aeris® Cordless linear system by Organic Lighting® with K-Grip® Twin Conductor Gripper Suspension. This design removes the power cord and speeds up installation, eliminates bulky power cords, to seamlessly integrate into any interior design. The Aeris® fixtures are available in 2ft, 3ft, 4ft, 6ft and interconnected for continuous lines of light. Additional mounting options include surface mounting and recessed clip options. The 24V driver is suitable for J-Box or remote installations and can integrate inside a wall switch dimming box. Built around Organic Lighting's® OrgaLED strips and PCB strip lighting. Options include high CRI White, Tunable White, RGB, and RGBW. Available in standard Silver Anodized, White, Black, or Custom Powder Coat finishes.

STEP 1 CHOOSE LIGHT DIRECTION (DOWNLIGHT, UPLIGHT OR UP AND DOWNLIGHT).



STEP 2 CHOOSE AERIS PROFILE (1.2), LENS, ACCESSORIES & END CAPS.

Part #	Description	Part #	Description
Aeris® 1.2" Extrusion		Aeris® 1.2" End Caps	
010703	Aeris 1.2" (30.5mm) Low Extrusion	010924	High End Cap
010734	Aeris 1.2" (30.5mm) High Extrusion	010926	High End Cap w/ Cabletray
010754	Aeris Cabletray	010928	Cabletray End Cap
010891	Aeris Assembly Clip	010936	High End Cap w/High Lens
010870	Aeris Swivel Mount	010937	High End Cap w/ High Lens, Power Hole
010820	Flush Diffused Lens		
010824	Flush Clear Lens		
010828	High Diffused Lens		
010871	Aeris Straight Connector		
010872	Aeris 90° Connector		
010873	Aeris Inner Corner Connector		
010874	Aeris Outer Corner Connector		

Specifications may be modified or improved without notification.

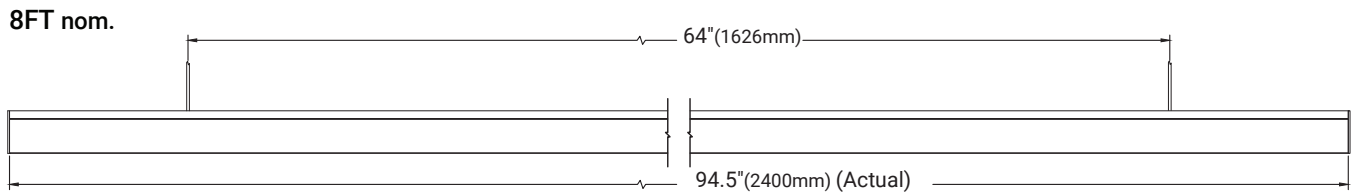
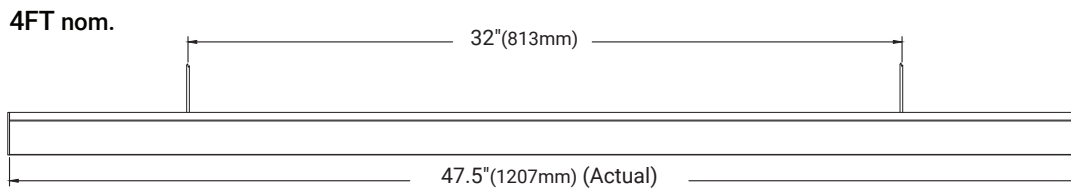
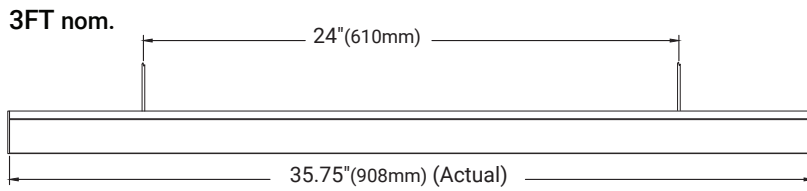
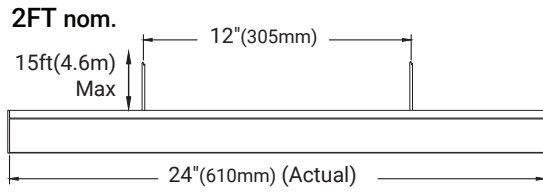


Aeris® - Cordless

Fixture Lengths

Project

Date



Specifications may be modified or improved without notification.

Aeris® - Cordless

MOUNTINGS & ACCESSORIES

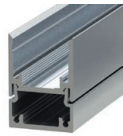
Project

Date

MOUNTINGS



K-Grip Suspension Kit



Aeris Cabletray



Aeris Assembly Clip



Aeris Swivel Mount

INTERLOCKING ANGLE & STRAIGHT CONNECTIONS.



Aeris Straight Connector



Aeris 90° Connector



Aeris 90° Inner Corner Connector



Aeris 90° Outer Corner Connector

LENS



Flush Diffused Lens



Flush Clear Lens



High Diffused Lens

END CAPS



High End Cap



High End Cap High Lens



High End Cap w/ Cabletray



High End Cap, High Lens, Holed



Cabletray End Cap

Specifications may be modified or improved without notification.

Aeris® - Cordless

STEP 3 CHOOSE LED.

LED STRIPS - 24V

- Very Flexible (Bend radius >1.2")
- PCB (IP20) for Interior Applications
- Top (IP40 or IP67) for Exterior Applications
- Up to 66ft Continuous Runs
- 2700K, 3000K, 3500K, 4000K, 5000K, RGBW
- 24V DC - Low Voltage, Class 2
- Field Cuttable 1.96in
- Dimmable
- UV/IR protected PVC encapsulation
- UL Listed / CE /ROHS
- 5 years / 50,000 hrs warranty

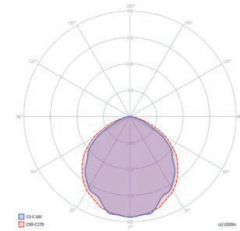


Project

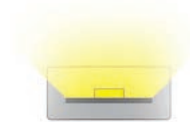
Date

PART NUMBER & SPECIFICATIONS

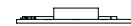
Part #	Color	CRI	lm/ft	lm/m	Max Run	W/ft	W/m
OrgaLED® Power Top							
041201	2700K	>94	116.8	383.1	66ft	20.1m	1 3.28
041202	3000K	>94	120.1	393.9	66ft	20.1m	1 3.28
041203	3500K	>94	120.1	393.9	66ft	20.1m	1 3.28
041204	4000K	>94	127	416.6	66ft	20.1m	1 3.28
041205	5000K	>94	127	416.6	66ft	20.1m	1 3.28
OrgaLED® High Power Top							
041301	2700K	>94	198.6	651.4	66ft	20.1m	1.7 5.58
041302	3000K	>94	204.2	669.8	66ft	20.1m	1.7 5.58
041303	3500K	>94	204.2	669.8	66ft	20.1m	1.7 5.58
041304	4000K	>94	215.9	708.2	66ft	20.1m	1.7 5.58
041305	5000K	>94	215.9	708.2	66ft	20.1m	1.7 5.58
OrgaLED® RGBW Top							
041401	RGBW27K	>90	120.6	395.6	33ft	10m	2.2 7.2
041402	RGBW30K	>90	120.6	395.6	33ft	10m	2.2 7.2
041403	RGBW40K	>90	120.6	395.6	33ft	10m	2.2 7.2
OrgaLED® Power PCB							
041141	2700K	>94	130.6	428.4	66ft	20.1m	1 3.28
041142	3000K	>94	134.3	440.5	66ft	20.1m	1 3.28
041143	3500K	>94	134.3	440.5	66ft	20.1m	1 3.28
041144	4000K	>94	142	465.8	66ft	20.1m	1 3.28
041145	5000K	>94	142	465.8	66ft	20.1m	1 3.28
OrgaLED® High Power PCB							
041151	2700K	>94	222.1	728.5	66ft	20.1m	1.7 5.58
041152	3000K	>94	228.4	749.2	66ft	20.1m	1.7 5.58
041153	3500K	>94	228.4	749.2	66ft	20.1m	1.7 5.58
041154	4000K	>94	241.4	791.8	66ft	20.1m	1.7 5.58
041155	5000K	>94	241.4	791.8	66ft	20.1m	1.7 5.58
OrgaLED® RGBW PCB							
041161	RGBW27K	>90	120.6	395.6	33ft	10m	2.2 7.2
041162	RGBW30K	>90	120.6	395.6	33ft	10m	2.2 7.2
041163	RGBW40K	>90	120.6	395.6	33ft	10m	2.2 7.2



110°



OrgaLED Top
0.5"W x 0.25"H



OrgaLED PCB
0.31"W x 0.043"H

Specifications may be modified or improved without notification.

Aeris® - Cordless

STEP 4 CHOOSE LED ACCESSORIES, POWER SUPPLIES & ENCLOSURES.

PART NUMBER & SPECIFICATIONS

Part #	Ingress	Description
OrgaLED® Top Connectors		
041002	IP40/IP67	Starter Cable 16ft (4.88m)
041003	IP40/IP67	L-Connector Cable 16ft (4.88m)
041004	IP40/IP67	Jumper Cable 8in (203.2mm)
041001	IP40/IP67	Top End Cap
041005	IP40/IP67	L-Splice Connector
041006	IP40/IP67	Inline Connector
011511	IP67	PVC IP67 Waterproofing Kit
011508	IP67	IP67 Factory Waterproofing

Part #	Ingress	Description
OrgaLED® PCB Connectors		
040081	IP20	PCB Starter Cable 16ft
040082	IP20	PCB Jumper Cable 8in
040083	IP20	PCB Inline Connector
040084	IP20	PCB L-Splice Connector

Part #	Ingress	Voltage	Wattage	Dimensions (inches / mm)	Description
POWER SUPPLIES - 24V					
045001	IP67	100-305V	20W	7.6 x 1.18 x 0.79 / 193 x 30 x 20	Dimmable LED Driver
045002	IP67	100-305V	40W	5.83 x 1.58 x 0.87/148 x 40 x 22	Dimmable LED Driver
045003	IP67	120-277V	60W	6.3 x 2.24 x 1.5/160 x 57 x 38	Dimmable LED Driver
045004	IP67	120-277V	75W	6.3 x 2.24 x 1.5/160 x 57 x 38	Dimmable LED Driver
045005	IP67	120-277V	96W	7.6 x 2.24 x 1.5/193 x 57 x 38	Dimmable LED Driver
045006	IP67	120-277V	200W	10.1 x 3.03 x 1.8/257 x 77 x 46	Dimmable LED Driver
045007	IP67	120-277V	300W	11.9 x 3.03 x 1.8/302 x 77 x 46	Dimmable LED Driver

*Forward Phase, Reverse Phase, & 0-10V Dimming Drivers. Remote enclosures available.

Part #	Ingress	Dimensions (inches / mm)	Description
ENCLOSURES			
045008	IP67	9.4 x 2.6 x 1.9 / 239 x 66 x 48	20W Enclosure
045009	IP67	11.02 x 4.05 x 2.2 / 280 x 103 x 56	40W Enclosure
045010	IP67	11.02 x 4.05 x 2.2 / 280 x 103 x 56	60W Enclosure
045011	IP67	11.02 x 4.05 x 2.2 / 280 x 103 x 56	75W Enclosure
045012	IP67	11.02 x 4.05 x 2.2 / 280 x 103 x 56	96W Enclosure
045013	IP67	16.7 x 9.8 x 2.3 / 424 x 249 x 58	200W Enclosure
045014	IP67	16.7 x 9.8 x 2.3 / 424 x 249 x 58	300W Enclosure
PC-JBOX	IP67	4.25 x 1.63 x 1.25 / 108 x 41 x 32	Waterproof Mini J-Box

Part #	Description
CONTROLLERS	
011344	180W Digital Controller
011345	720W Digital Controller
011341	Digital Controller & Power Supply Combination
011410	Nicolaude DE3 DMX 512 Controller
011403	Nicolaude DINA-DR1 DMX 512 Controller
011396	Switchex 40W Wall Mount Dimmable Power Supply
011397	Switchex 100W Wall Mount Dimmable Power Supply

Project

Date



Bottom Feed Connector Cable 16ft (4.88m)



PVC IP67 Waterproofing Kit



20W Dimmable Driver



75W Dimmable Driver



Digital Controller (180W, 720W)



Nicolaude DE3 DMX 512 Controller

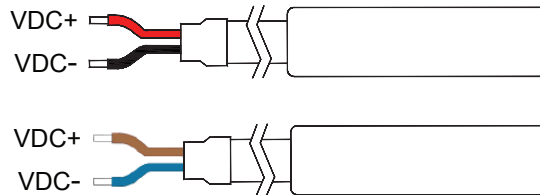
Specifications may be modified or improved without notification.

Aeris® - Cordless

CABLE REQUIREMENT

The OrgaLED® LED strips need a minimum voltage at the beginning of the LED strip to function according to the specifications. The table below gives an indication of the maximum cable length based on the cable thickness. The standard OrgaLED® starter cable (20 AWG) has a cable length of 16ft(4.88m).

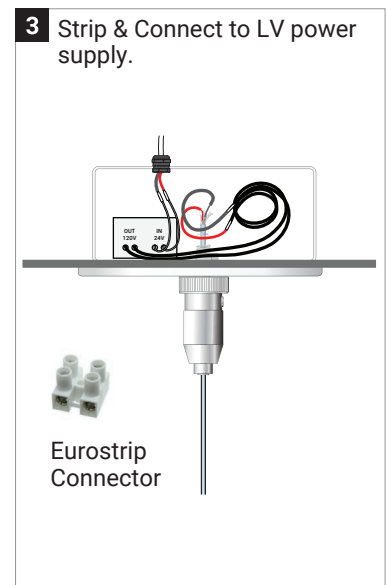
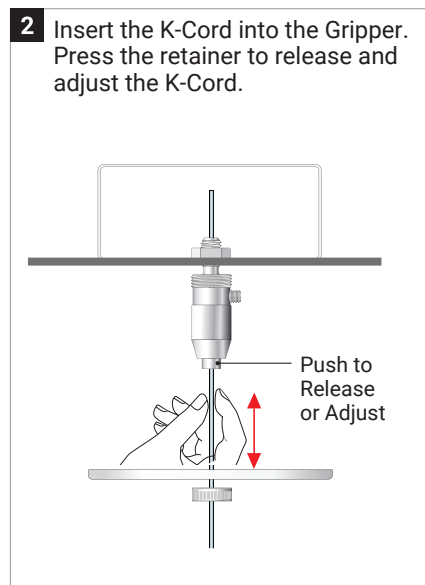
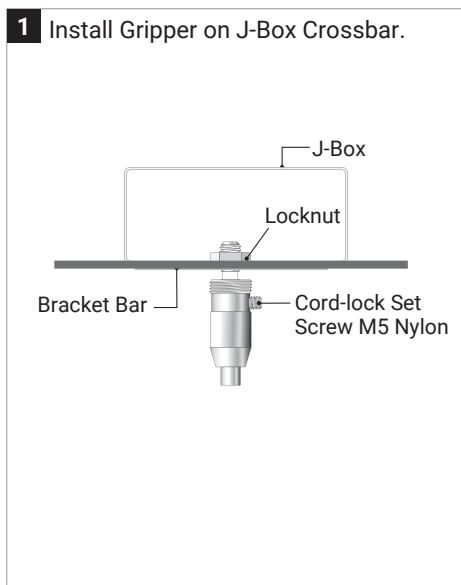
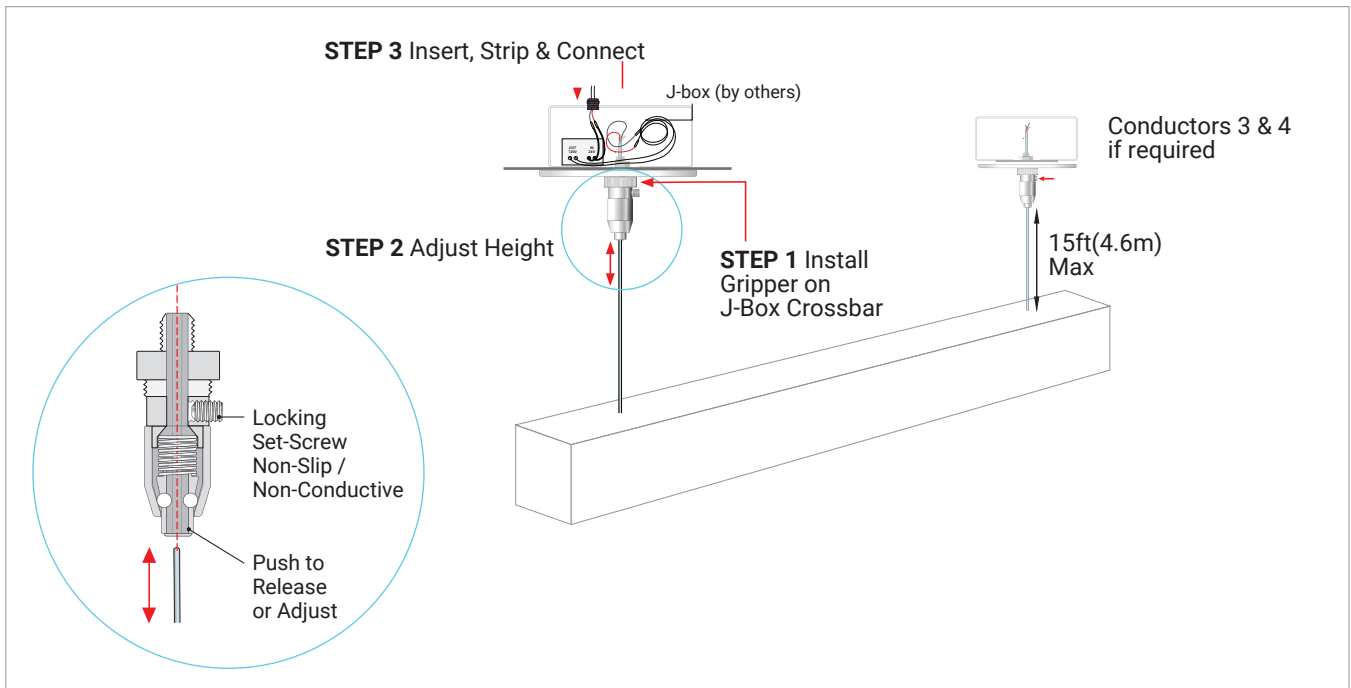
In case the required length is longer than the length mentioned in this cable, it is recommended to cut the starter cable down to 1ft and splice a larger gauge cable. Please contact your distributor for a detailed cable calculation.



Cable X Information	LED Strip	Max. Cable Length
		24 V
20 AWG x 2	3.28 ft / 1m	303 ft / 92.35m
	16.4 ft / 5m	57 ft / 17.37m
	32.8 ft / 10m	36 ft / 10.98m
	49.2 ft / 15m	20 ft / 6.1m
	65.6 ft / 20m	16 ft / 4.9m
18 AWG x 2	3.28 ft / 1m	457 ft / 139.3m
	16.4 ft / 5m	86 ft / 26.21m
	32.8 ft / 10m	56 ft / 17.07m
	49.2 ft / 15m	35 ft / 10.67m
	65.6 ft / 20m	25 ft / 7.62m
16 AWG x 2	3.28 ft / 1m	914 ft / 278.6m
	16.4 ft / 5m	172 ft / 52.43m
	32.8 ft / 10m	90 ft / 27.43m
	49.2 ft / 15m	60 ft / 18.3m
	65.6 ft / 20m	40 ft / 12.2m
14 AWG x 2	3.28 ft / 1m	1521 ft / 463.6m
	16.4 ft / 5m	287 ft / 87.5m
	32.8 ft / 10m	140 ft / 42.67m
	49.2 ft / 15m	96 ft / 29.26m
	65.6 ft / 20m	70 ft / 21.34m

Specifications may be modified or improved without notification.

K-Cord® POWERED two Conductor SUSPENSION in 3 Steps



NOTES

10lbs Max per cable. (40lb test weight).

For lightweight fixtures, exert a slight pressure on the fixture before locking the set screws, to engage the gripper mechanisms fully.

(Suggestion): Use a wooden rod of the measured drop between the ceiling (or floor) and fixture to help set the drop height when long runs of fixtures are being installed.

Longer connected rows with more than 3 suspension points, or heavy fixtures require additional support during installation.

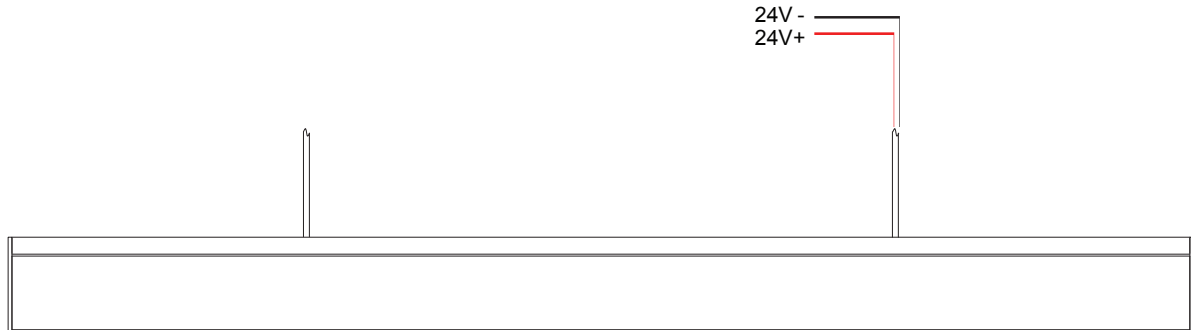
Specifications may be modified or improved without notification.

Aeris® - Cordless

ELECTRICAL DETAILS

MONO 24V SYSTEM | 2 WIRE

RED	BLACK
24V+	24V-



RGB 24V SYSTEM | 4 WIRE

BLACK	RED	GREEN	BLUE
24V+	RED-	GREEN-	BLUE-

