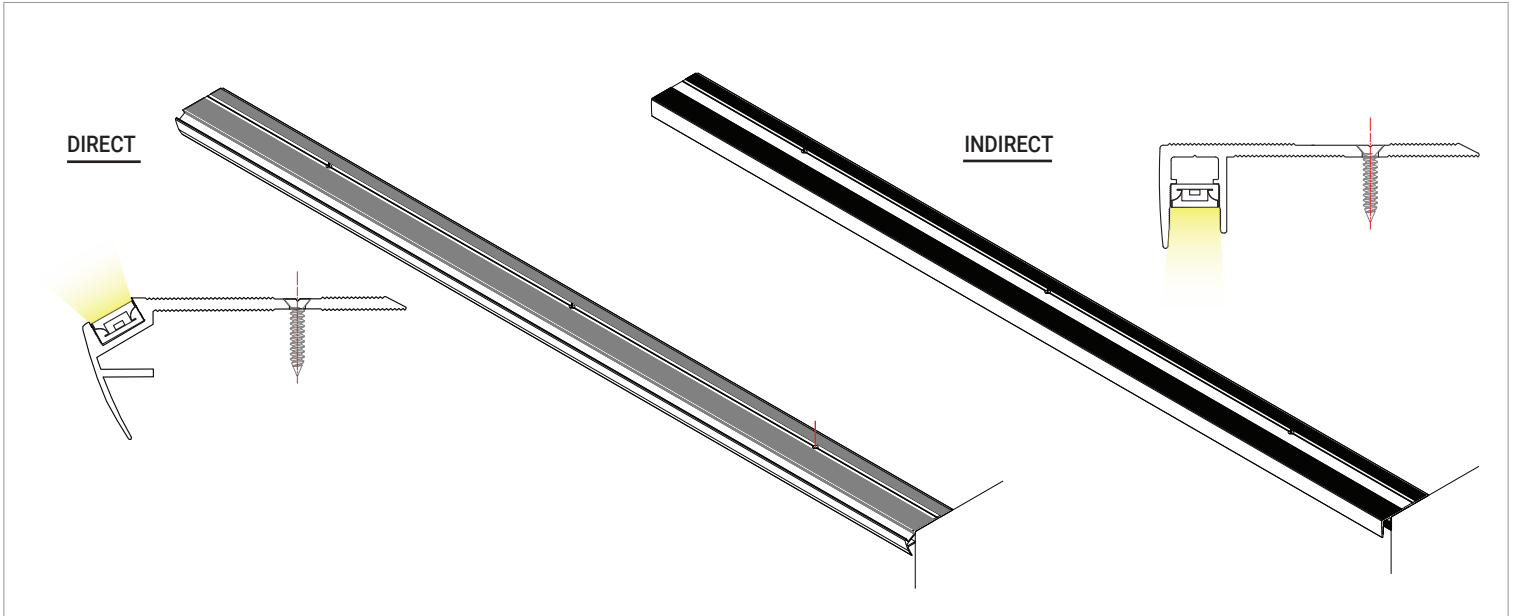
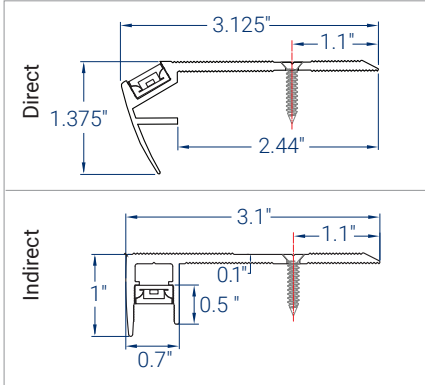


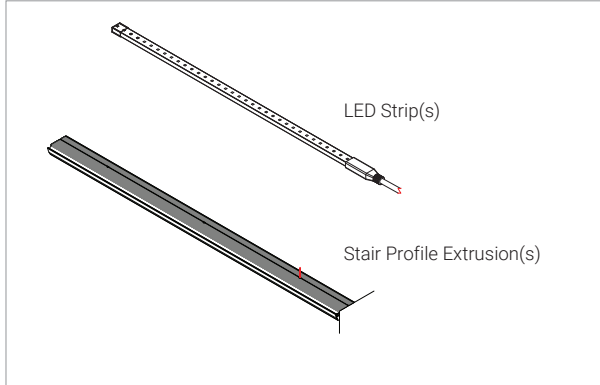
- WARNING!**
- READ THE PROVIDED INSTRUCTIONS PRIOR TO INSTALLING.
 - INSTALLATION MUST BE CARRIED OUT BY QUALIFIED INSTALLERS.
 - THE INSTALLER HAS THE FINAL RESPONSIBILITY FOR THE STRENGTH AND RIGIDITY OF THE WALL/CEILING/FLOOR STRUCTURE.
 - A MINIMUM OF 2 PEOPLE REQUIRED WHEN INSTALLING LONG LENGTH FIXTURES.



MOUNTING DIMENSIONS



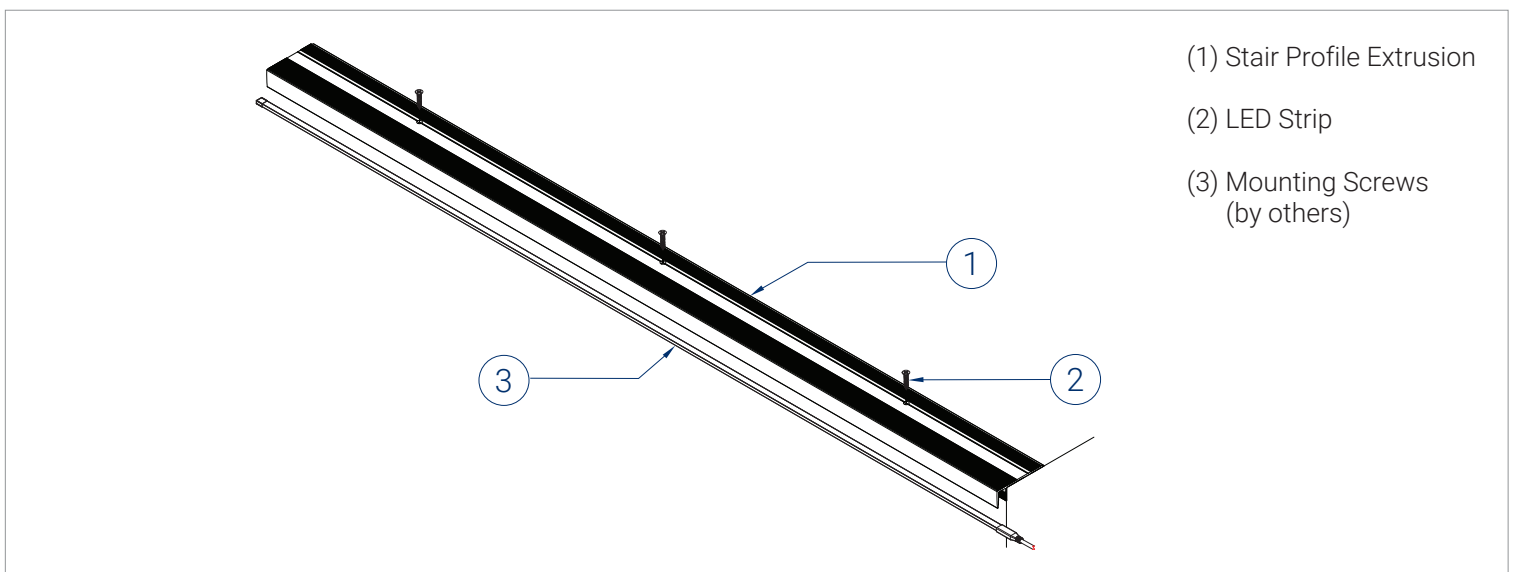
PACKAGE MAY INCLUDE



ITEMS NEEDED (SUPPLIED BY OTHERS)



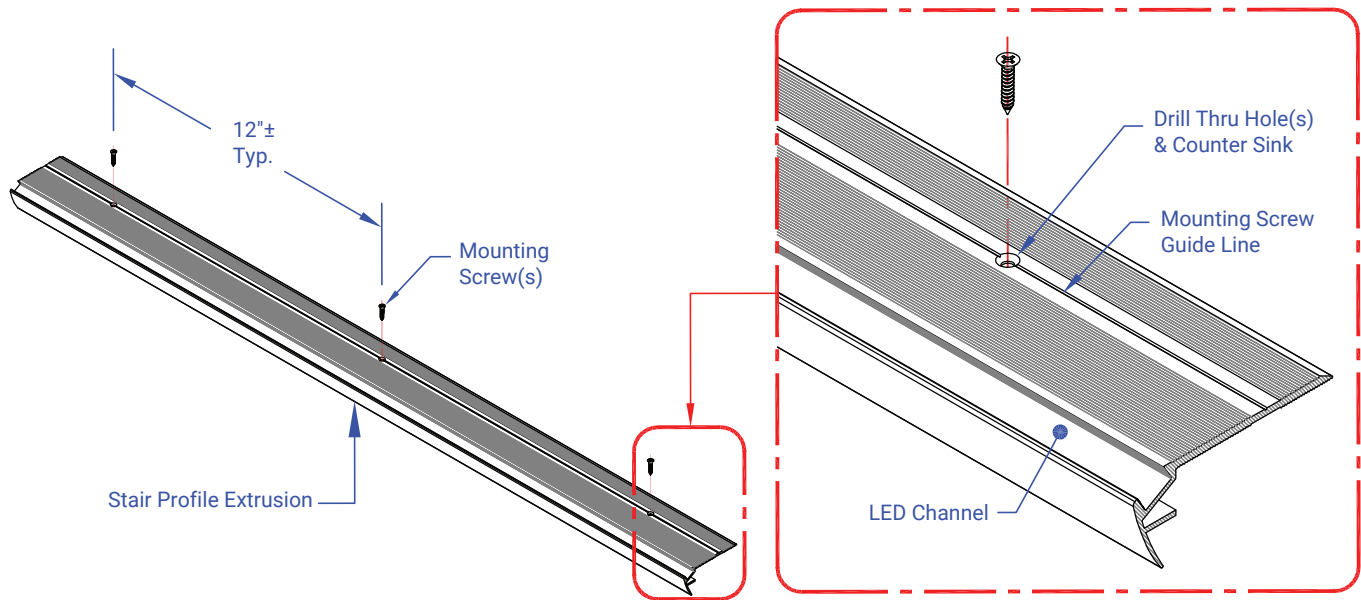
ISOMETRIC / EXPLODED VIEW



- (1) Stair Profile Extrusion
- (2) LED Strip
- (3) Mounting Screws (by others)

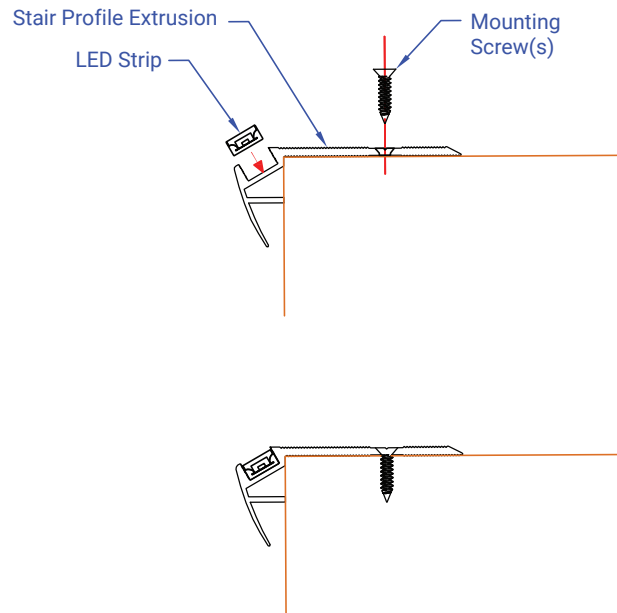
1 MOUNT STAIR PROFILE EXTRUSION TO SURFACE

- MOUNT STAIR PROFILE TO SURFACE WITH MOUNTING SCREWS (BY OTHERS).
- *FLATHEAD #6 MOUNTING SCREW(S) RECOMMENDED.
- *SCREW TYPE AND LENGTH TO BE PROVIDED BY CONTRACTOR.



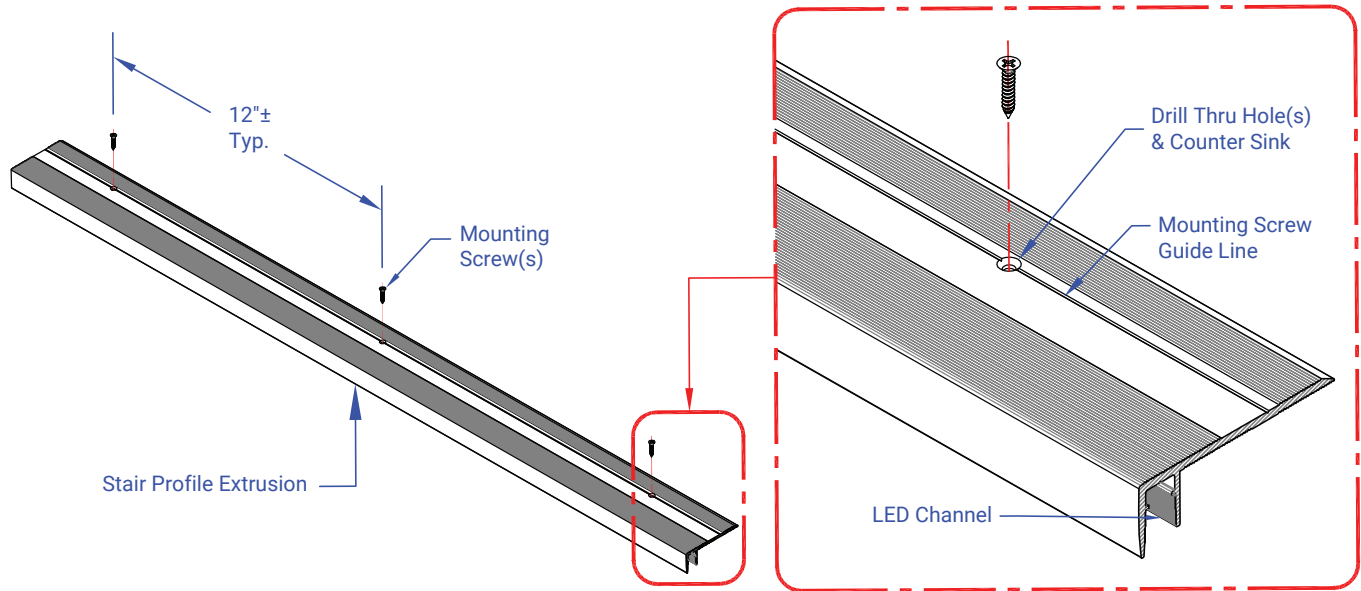
2 INSERT LED INTO CHANNEL

INSERT LED STRIP FIRMLY INTO LED CHANNEL AS SHOWN. HANDLE LED WITH CARE.



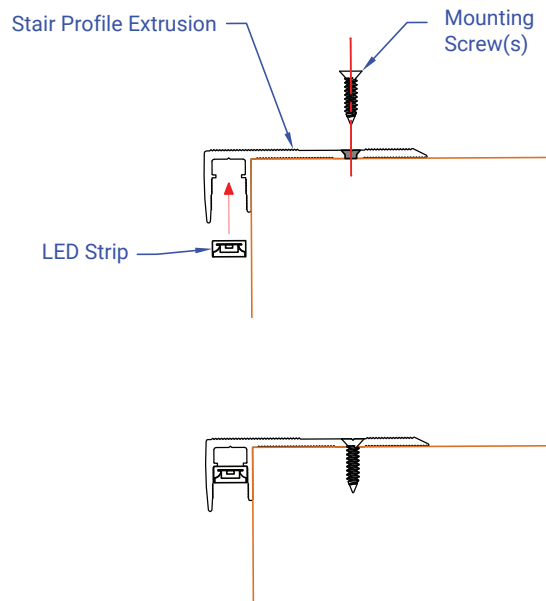
1 MOUNT STAIR PROFILE EXTRUSION TO SURFACE

- MOUNT STAIR PROFILE TO SURFACE WITH MOUNTING SCREWS (BY OTHERS).
- *FLATHEAD #6 MOUNTING SCREW(S) RECOMMENDED.
- *SCREW TYPE AND LENGTH TO BE PROVIDED BY CONTRACTOR.



2 INSERT LED INTO CHANNEL

INSERT LED STRIP FIRMLY INTO LED CHANNEL. HANDLE LED WITH CARE.



LOCATE JUNCTION BOXES AND TRANSFORMER, PREFERABLY DURING CONSTRUCTION.
SEE DIAGRAM BELOW FOR JUNCTION BOX LOCATION SUGGESTIONS.

