

OrgaRail® - Illuminated Handrail PATENTS PENDING

ROUND Ø 1.9in(48mm)



FEATURES

- Heavy duty stainless steel AISI 316 Satin Brushed.
- Dimensions: 1.9in(48mm) OD
- Curved handrail (10ft/3.04m radius or greater) is available upon request
- Channel for continuous OrgaLED® Top LED strip
- Energy efficient and simply slides into the internal aluminum channel
- Wall and Post Mounts are designed for quick and easy installation
- Available in various colors and luminous intensities
- Made in the USA
- ADA Compliant
- Bug Rating: B0-U0-G0

MOUNTING

Wall or post mounted, glass infill option or glass mounting.

*Glass by others.

HOW TO SPECIFY YOUR ENERGY EFFICIENT HANDRAIL

As each lighting project is unique, all the components of the OrgaRail® illuminated Handrail are professionally customized. Therefore, it is of great importance to provide fully dimensioned plans, DWG files and detailed drawings, in addition to the useful nomenclature below.

ILLUMINATED HANDRAIL TECHNICAL DETAIL

Profile	Length	LED	CCT	Control	Beam	Mount	Lens	Connector	Options
HR2	_____	_____	_____	_____	_____	_____	_____	_____	_____
HR2 1.9in (48mm)	X Length in feet	D Deco	27 2700K	ND Non Dimming	A Asym.	P Post	LC Clear	I Interior (IP40)	PR Post Return
		P Power	30 3000K	D1 0-10V	S Sym.	G Glass	LF Frosted	WR Wall Return	
		HP High Power	35 3500K*	TRI TRIAC	W Wall	LA Asym.	E Exterior (IP67)	EC End Cap	
		P1 Photon 1200	40 4000K	DMX DMX	CU Custom			CV2D Curved 2D	
		P2 Photon 2000	50 5000K					CV2D Curved 3D(spiral)	
		P3 Photon 3000	65 6500K**					FL Flange Base Kit	
		P4 Photon 4000	RGBW27 RGBW27K					N None	
			RGBW30 RGBW30K						
			RGBW40 RGBW40K						
			A Wildlife Amber						

*D, P, HP only **Photon only

Specifications may be modified or improved without notification.

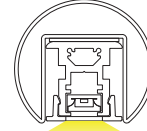
Project

Date

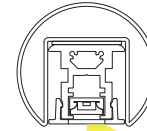
AVAILABLE PROFILES

SLIDE-FED
(OrgaLED Top only)
PATENTS PENDING

SYMMETRIC



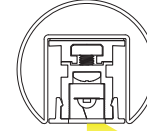
ASYMMETRIC



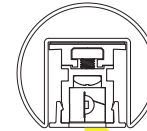
PUSH-FIT

(OrgaLED Side only)

STRAIGHT



2D/3D BENDING



CUSTOM FINISH

Powder Coat _____
(RAL #)
Alloy Composition Coating
Information
available upon request.

OrgaRail® - Illuminated Handrail PATENTS PENDING

ROUND Ø 1.90in(48mm)



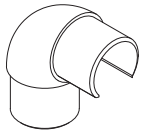
MOUNTINGS & ACCESSORIES

Project

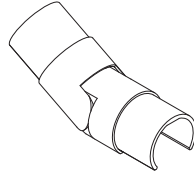
STANDARD & CUSTOMIZED ANGLES

There are three standard angles for the OrgaRail® Handrails: 90°, Adjustable Up and Adjustable Down angles. Other angles can be customized upon request.

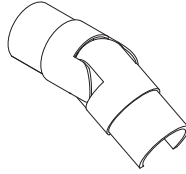
Date



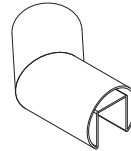
90° Post Return



Adjustable Angle Up



Adjustable Angle Down



Custom Angle

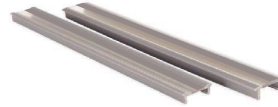
LENS



Clear Lens



Frosted Lens



Asymmetric Lens
*light loss -50%

INFILLS & ACCESSORIES



Glass Bracket
(glass by others)



Cable Infill



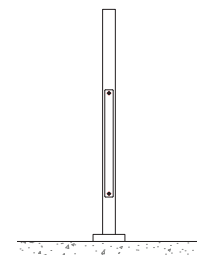
Railing Infill



Guardrail

ADDER ACCESSORIES

Part #	Description
HR2GB	Glass Brackets Infill (sizes in inches: Ø1/4, Ø5/16, Ø3/8, Ø9/16)
HR2RL	Railing Infill (sizes in inches: Ø1/2, Ø5/8)
HR2CL	Cable Infill (sizes in inches: Ø1/8, Ø5/32)
HR2GR	Guardrail Non-Illuminated (42" height)
012080-ID	Integral LED Driver (Non-Dimming) / 120-277V / 96W



Integral Driver

Specifications may be modified or improved without notification.

OrgaRail® - Illuminated Handrail

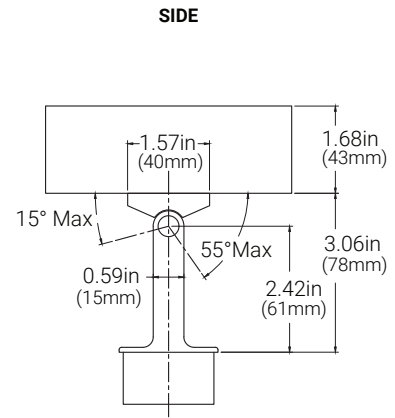
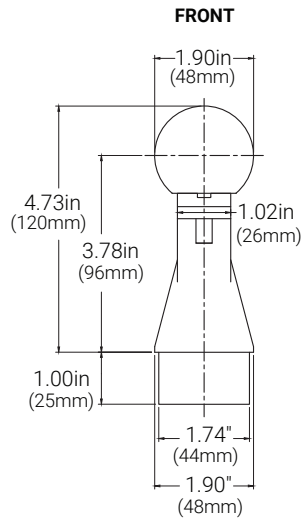
PATENTS PENDING



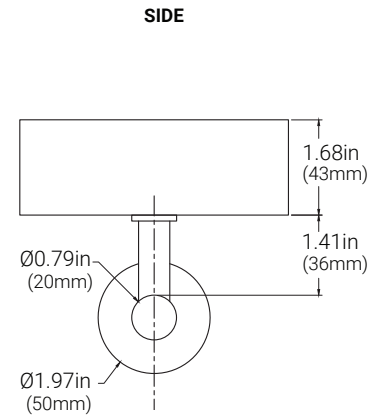
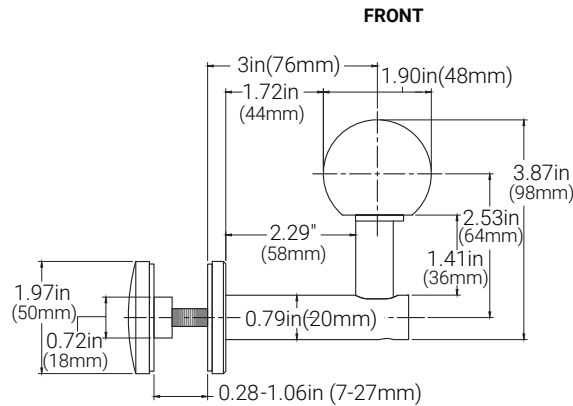
ROUND Ø 1.90in(48mm)

DIMENSIONS

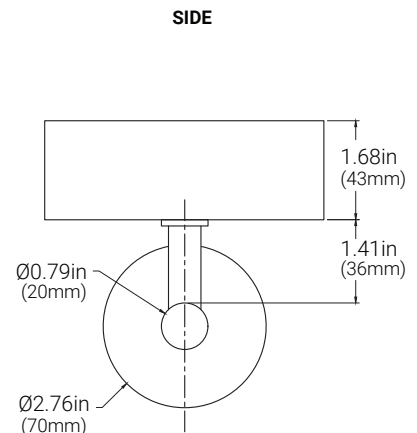
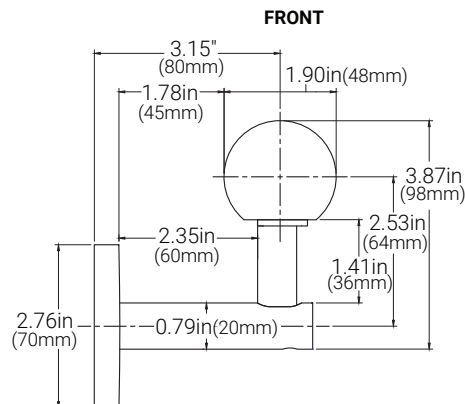
POST MOUNT



GLASS MOUNT



WALL MOUNT



Specifications may be modified or improved without notification.

OrgaRail® - Illuminated Handrail PATENTS PENDING

ROUND Ø 1.90in(48mm)

SYMMETRIC LED STRIPS - 24V

Compatible with Slide-Fed Symmetric applications. Can be made Asymmetric with an Asymmetric lens. Flexible UV/IR protected PVC encapsulated LEDs with a continuous run length of up to 66ft (20.1m).

PART NUMBER & SPECIFICATIONS- SYMMETRIC

Part #	Color	CRI	Lm/ft	Lm/m	Max Run	W/ft	W/m
OrgaLED® Deco Top							
041101	2700K	>94	35.1	115.1	66ft	20.1m	0.3 0.98
041102	3000K	>94	36	118.1	66ft	20.1m	0.3 0.98
041103	3500K	>94	36	118.1	66ft	20.1m	0.3 0.98
041104	4000K	>94	38.1	125	66ft	20.1m	0.3 0.98
041105	5000K	>94	38.1	125	66ft	20.1m	0.3 0.98
OrgaLED® Power Top							
041201	2700K	>94	116.8	383.1	66ft	20.1m	1 3.3
041202	3000K	>94	120.1	393.9	66ft	20.1m	1 3.3
041203	3500K	>94	120.1	393.9	66ft	20.1m	1 3.3
041204	4000K	>94	127	416.6	66ft	20.1m	1 3.3
041205	5000K	>94	127	416.6	66ft	20.1m	1 3.3
OrgaLED® High Power Top							
041301	2700K	>94	198.6	651.4	66ft	20.1m	1.7 5.6
041302	3000K	>94	204.2	669.8	66ft	20.1m	1.7 5.6
041303	3500K	>94	204.2	669.8	66ft	20.1m	1.7 5.6
041304	4000K	>94	215.9	708.2	66ft	20.1m	1.7 5.6
041305	5000K	>94	215.9	708.2	66ft	20.1m	1.7 5.6
OrgaLED® RGBW Top							
041401	RGBW27K	>90	120.6	395.6	33ft	10m	2.2 7.2
041402	RGBW30K	>90	120.6	395.6	33ft	10m	2.2 7.2
041403	RGBW40K	>90	120.6	395.6	33ft	10m	2.2 7.2
OrgaLED® Photon 1200 Top							
051101	2700K	>94	275.4	903.3	23ft	7m	1.8 5.9
051102	3000K	>94	291.6	956.4	23ft	7m	1.8 5.9
051104	4000K	>94	324	1062.7	23ft	7m	1.8 5.9
051105	5000K	>94	315.9	1036.2	23ft	7m	1.8 5.9
051106	6500K	>94	311	1020.1	23ft	7m	1.8 5.9
OrgaLED® Photon 2000 Top							
051201	2700K	>94	459	1505.5	20ft	6m	3 9.8
051202	3000K	>94	486	1594.1	20ft	6m	3 9.8
051204	4000K	>94	540	1771.2	20ft	6m	3 9.8
051205	5000K	>94	526	1725.3	20ft	6m	3 9.8
051206	6500K	>94	518.4	1700.4	20ft	6m	3 9.8
OrgaLED® Photon 3000 Top							
051301	2700K	>94	703.8	2308.5	16ft	5m	4.6 15.1
051302	3000K	>94	745.2	2444.3	16ft	5m	4.6 15.1
051304	4000K	>94	828	2715.8	16ft	5m	4.6 15.1
051305	5000K	>94	807.3	2647.9	16ft	5m	4.6 15.1
051306	6500K	>94	794.9	2607.3	16ft	5m	4.6 15.1
OrgaLED® Photon 4000 Top							
051401	2700K	>94	887.4	2910.7	16ft	5m	6 19
051402	3000K	>94	939.6	3081.9	16ft	5m	6 19
051404	4000K	>94	1044	3424.3	16ft	5m	6 19
051405	5000K	>94	1017.9	3338.7	16ft	5m	6 19
051406	6500K	>94	1002.2	3287.2	16ft	5m	6 19

Specifications may be modified or improved without notification.

ORGALED® TOP ACCESSORIES



Straight Connector Cable
16ft (4.88m) | IP40 / IP67
#041002



Bottom Feed Connector Cable
16ft (4.88m) | IP40 / IP67
#041003



Jumper Cable 8in (203.2mm)
IP40 / IP67
#041004



Top End Cap | IP40 / IP67
#041001



L-Splice Connector | IP40 / IP67
#041005



Inline Connector | IP40 / IP67
#041006



PVC IP67 Waterproofing Kit
#011511



IP67 Factory Waterproofing
#011508

OrgaRail® - Illuminated Handrail PATENTS PENDING

ROUND Ø 1.90in(48mm)

ASYMMETRIC LED STRIPS - 24V

Push-fit LEDs. Designed for 2D/ 3D Bending and Asymmetric applications. Flexible UV/IR protected PVC encapsulated LEDs with a continuous run length of up to 33ft(10.1m).

PART NUMBER & SPECIFICATIONS

Part #	Color	CRI	lm/ft	lm/m	W/ft	W/m
OrgaLED® Deco Side						
042101	2700K	>94	33.8	110.9	0.4	1.3
042102	3000K	>94	34.7	113.8	0.4	1.3
042103	3500K	>94	34.7	113.8	0.4	1.3
042104	4000K	>94	36.7	120.4	0.4	1.3
042105	5000K	>94	36.7	120.4	0.4	1.3
OrgaLED® Power Side						
042201	2700K	>94	118.1	387.4	1.4	4.6
042202	3000K	>94	121.5	398.5	1.4	4.6
042203	3500K	>94	121.5	398.5	1.4	4.6
042204	4000K	>94	128.4	421.2	1.4	4.6
042205	5000K	>94	128.4	421.2	1.4	4.6
OrgaLED® High Power Side						
042301	2700K	>94	202.5	664.2	2.4	7.9
042302	3000K	>94	208.2	683	2.4	7.9
042303	3500K	>94	208.2	683	2.4	7.9
042304	4000K	>94	220.1	721.9	2.4	7.9
042305	5000K	>94	220.1	721.9	2.4	7.9

ORGALED® PHOTON TOP ACCESSORIES



White Starter Cable 16ft(4.9m)
IP40 / IP67
#051002



Jumper Connector
IP40 / IP67
#051004



Top End Cap
IP40 / IP67
#051001



Silicone IP67 Waterproofing Kit
#011521

ORGALED® SIDE ACCESSORIES



Side Starter Cable
16ft (4.88m)
IP40 | IP67
#042002



Side White Jumper Cable
8" (203.2mm)
IP40 | IP67
#042004



Side End Cap | IP40 / IP67
#042001

Specifications may be modified or improved without notification.

OrgaRail® - Illuminated Handrail

PATENTS PENDING

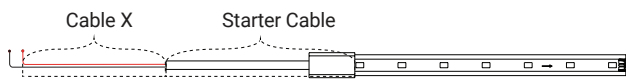


ROUND Ø 1.90in(48mm)

CABLE REQUIREMENT

The OrgaLED® LED strips need a minimum voltage at the beginning of the LED strip to function according to the specifications. The table below gives an indication of the maximum cable length based on the cable thickness. The standard OrgaLED® starter cable (20 AWG) has a cable length of 16ft (5m).

In case the required length is longer than the length mentioned in this cable, it is recommended to cut the starter cable down to 1ft and splice a larger gauge cable. Please contact your distributor for a detailed cable calculation.



Cable X Information	LED Strip	Max. Cable Length
OrgaLED Top		24V
20 AWG x 2	3.28ft / 1m	303ft / 92.4m
	16.4ft / 5m	57ft / 17.4m
	32.8ft / 10m	36ft / 11m
	49.2ft / 15m	20ft / 6.1m
	65.6ft / 20m	16ft / 4.9m
18 AWG x 2	3.28ft / 1m	457ft / 139.3m
	16.4ft / 5m	86ft / 26.2m
	32.8ft / 10m	56ft / 17.1m
	49.2ft / 15m	35ft / 10.7m
	65.6ft / 20m	25ft / 7.7m
16 AWG x 2	3.28ft / 1m	914ft / 278.6m
	16.4ft / 5m	172ft / 52.4m
	32.8ft / 10m	90ft / 27.4m
	49.2ft / 15m	60ft / 18.3m
	65.6ft / 20m	40ft / 12.2m
14 AWG x 2	3.28ft / 1m	1521ft / 463.6m
	16.4ft / 5m	287ft / 87.5m
	32.8ft / 10m	140ft / 42.7m
	49.2ft / 15m	96ft / 29.3m
	65.6ft / 20m	70ft / 21.3m

Cable X Information	LED Strip	Max. Cable Length
Photon 1200		24V
20 AWG x 2	3.28ft / 1m	490ft / 149.35m
	9.84ft / 3m	150ft / 45.72m
	22.96ft / 7m	60ft / 18.29m
18 AWG x 2	3.28ft / 1m	780ft / 237.74m
	9.84ft / 3m	250ft / 76.2m
	22.96ft / 7m	100ft / 30.48m
16 AWG x 2	3.28ft / 1m	1240ft / 377.95m
	9.84ft / 3m	400ft / 121.92m
	22.96ft / 7m	170ft / 51.82m
14 AWG x 2	3.28ft / 1m	1900ft / 579.12m
	9.84ft / 3m	640ft / 195.07m
	22.96ft / 7m	270ft / 82.3m

Cable X Information	LED Strip	Max. Cable Length
Photon 2000		24V
20 AWG x 2	3.28ft / 1m	280ft / 85.35m
	9.84ft / 3m	95ft / 28.96m
	19.68ft / 6m	46ft / 14.02m
18 AWG x 2	3.28ft / 1m	450ft / 137.16m
	9.84ft / 3m	150ft / 45.72m
	19.68ft / 6m	75ft / 22.86m
16 AWG x 2	3.28ft / 1m	720ft / 219.46m
	9.84ft / 3m	240ft / 73.15m
	19.68ft / 6m	120ft / 36.58m
14 AWG x 2	3.28ft / 1m	1150ft / 350.52m
	9.84ft / 3m	380ft / 115.82m
	19.68ft / 6m	190ft / 57.91m

Cable X Information	LED Strip	Max. Cable Length
Photon 3000		24V
20 AWG x 2	3.28ft / 1m	180ft / 54.86m
	9.84ft / 3m	60ft / 18.29m
	16.4ft / 5m	35ft / 10.67m
18 AWG x 2	3.28ft / 1m	290ft / 88.39m
	9.84ft / 3m	100ft / 30.48m
	16.4ft / 5m	60ft / 18.29m
16 AWG x 2	3.28ft / 1m	470ft / 143.26m
	9.84ft / 3m	150ft / 45.72m
	16.4ft / 5m	90ft / 27.43m
14 AWG x 2	3.28ft / 1m	750ft / 228.6m
	9.84ft / 3m	250ft / 76.2m
	16.4ft / 5m	150ft / 45.72m

Cable X Information	LED Strip	Max. Cable Length
Photon 4000		24V
20 AWG x 2	3.28ft / 1m	140ft / 42.67m
	9.84ft / 3m	45ft / 13.72m
	16.4ft / 5m	25ft / 7.62m
18 AWG x 2	3.28ft / 1m	220ft / 67.06m
	9.84ft / 3m	75ft / 22.86m
	16.4ft / 5m	40ft / 12.19m
16 AWG x 2	3.28ft / 1m	360ft / 109.73m
	9.84ft / 3m	120ft / 36.58m
	16.4ft / 5m	70ft / 21.34m
14 AWG x 2	3.28ft / 1m	575ft / 175.26m
	9.84ft / 3m	190ft / 57.91m
	16.4ft / 5m	110ft / 33.53m

Specifications may be modified or improved without notification.

OrgaRail® - Illuminated Handrail PATENTS PENDING

ROUND Ø 1.90in(48mm)

POWER SUPPLIES, ENCLOSURES & CONTROLLERS

PART NUMBER & SPECIFICATIONS

*Forward Phase, Reverse Phase, & 0-10V Dimming Drivers. Remote enclosures available.

Part #	Ingress	Voltage	Wattage	Dimensions (inches/mm)	Description
POWER SUPPLIES - 24V					
045001	IP67	100-305V	20W	7.6 x 1.18 x 0.79 / 193 x 30 x 20	Dimmable LED Driver
045002	IP67	100-305V	40W	5.83 x 1.57 x 0.87/148 x 40 x 22	Dimmable LED Driver
045003	IP67	120-277V	60W	6.3 x 2.24 x 1.5/160 x 57 x 38	Dimmable LED Driver
045004	IP67	120-277V	75W	6.3 x 2.24 x 1.5/160 x 57 x 38	Dimmable LED Driver
045005	IP67	120-277V	96W	7.6 x 2.24 x 1.5/193 x 57 x 38	Dimmable LED Driver
045006	IP67	120-277V	200W	10.1 x 3.03 x 1.8/257 x 77 x 46	Dimmable LED Driver
045007	IP67	120-277V	300W	11.9 x 3.03 x 1.8/302 x 77 x 46	Dimmable LED Driver
012080-ID		120-277V	96W	Pre-Assembled in Post	Integral LED Driver (Non-Dimming)

Part #	Ingress	Dimensions (inches/mm)	Description
ENCLOSURES			
045008	IP67	9.4 x 2.6 x 1.9 / 239 x 66 x 48	20W Enclosure
045009	IP67	11.02 x 4.05 x 2.2 / 280 x 103 x 56	40W Enclosure
045010	IP67	11.02 x 4.05 x 2.2 / 280 x 103 x 56	60W Enclosure
045011	IP67	11.02 x 4.05 x 2.2 / 280 x 103 x 56	75W Enclosure
045012	IP67	11.02 x 4.05 x 2.2 / 280 x 103 x 56	96W Enclosure
045013	IP67	16.7 x 9.8 x 2.3 / 424 x 249 x 58	200W Enclosure
045014	IP67	16.7 x 9.8 x 2.3 / 424 x 249 x 58	300W Enclosure

Part #	Description
CONTROLLERS	
011344	180W Digital Controller
011345	720W Digital Controller
011341	Digital Controller & Power Supply Combination
011410	Nicolaude DE3 DMX 512 Controller
011403	Nicolaude DINA-DR1 DMX 512 Controller
011396	Switchex 40W Wall Mount Dimmable Power Supply
011397	Switchex 100W Wall Mount Dimmable Power Supply



Project

Date



20W Dimmable Driver



75W Dimmable Driver



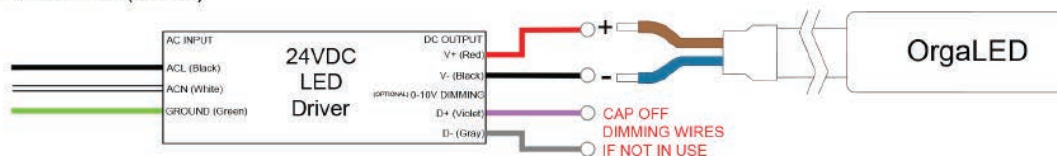
Digital Controller (180W, 720W)



Nicolaude DE3 DMX 512 Controller

ELECTRICAL DETAILS

*Regular Connection (Mono)



Specifications may be modified or improved without notification.