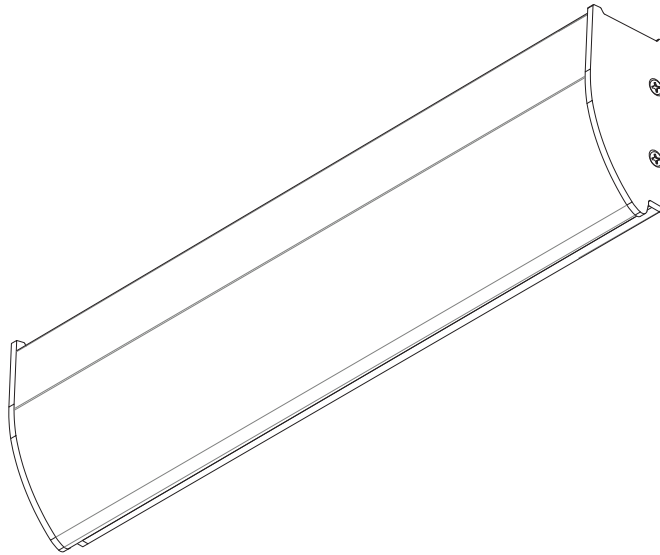


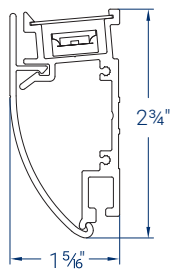


WARNING!

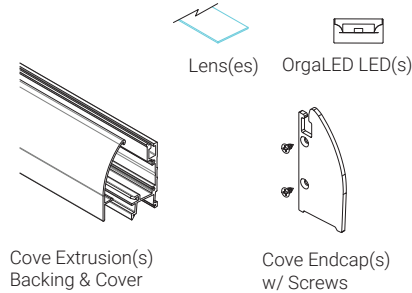
- READ THE PROVIDED INSTRUCTIONS PRIOR TO INSTALLING.
- INSTALLATION MUST BE CARRIED OUT BY QUALIFIED INSTALLERS.
- THE INSTALLER HAS THE FINAL RESPONSIBILITY FOR THE STRENGTH AND RIGIDITY OF THE WALL/CEILING STRUCTURE.
- A MINIMUM OF 2 PEOPLE REQUIRED WHEN INSTALLING LONG LENGTH FIXTURES.



MOUNTING DIMENSIONS



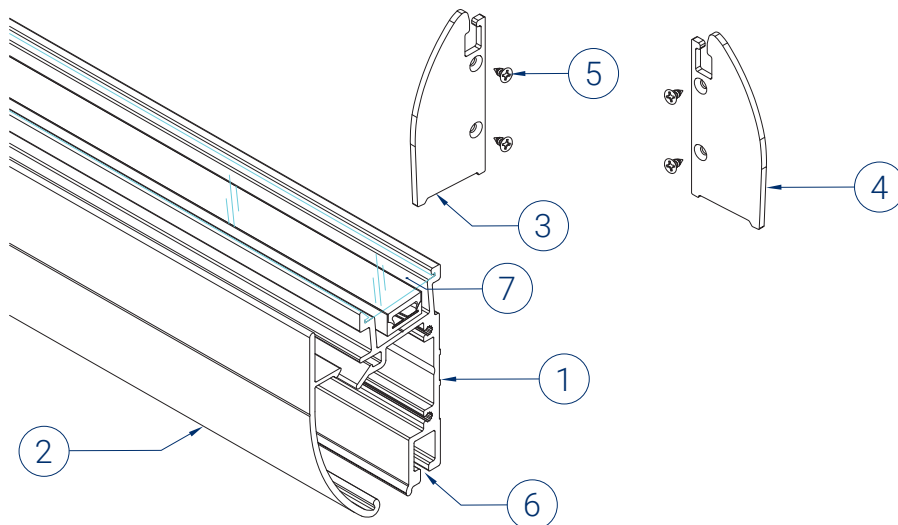
PACKAGE MAY INCLUDE



ITEMS NEEDED (SUPPLIED BY OTHERS)



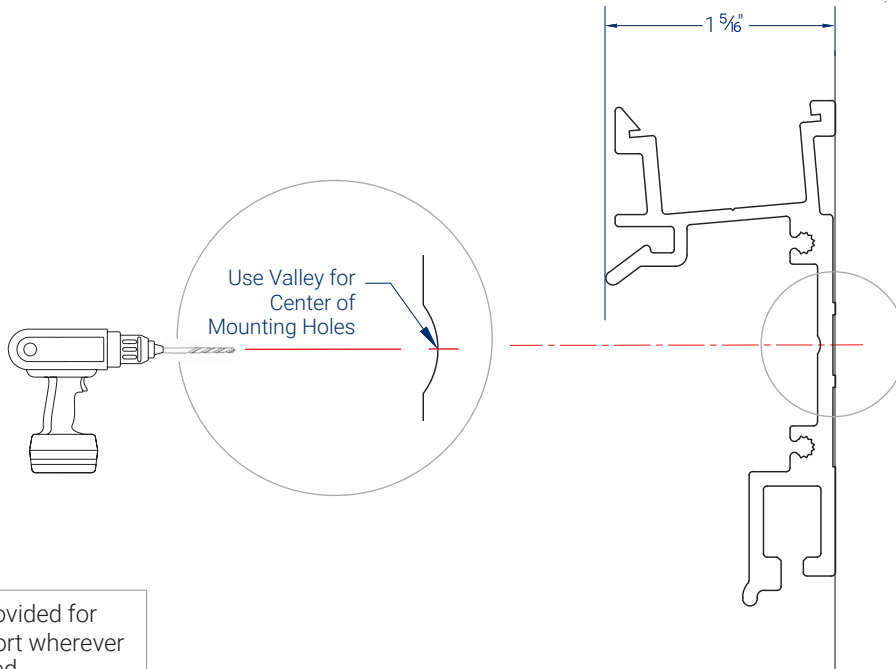
ISOMETRIC / EXPLODED VIEW



- (1) Cove Extrusion (Backing)
- (2) Cove Extrusion (Cover)
- (3) Left Endcap
- (4) Right Endcap
- (5) Endcap Screws
- (6) Art Track (Optional)
(Display artwork w/ the Gallery Picture Hanging System)
- (7) Clear Lens

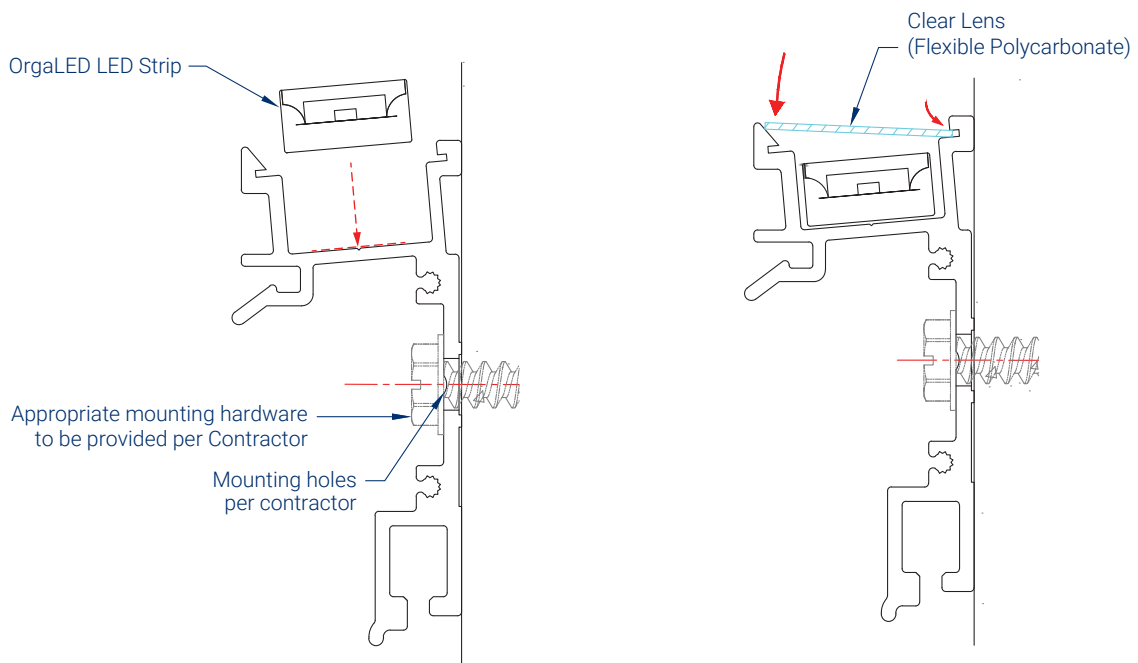
1 BACKING INSTALLATION

- USE A DRILL (BY OTHERS) TO DRILL HOLES IN THE COVE EXTRUSION (BACKING) USING VALLEY FOR CENTER OF MOUNTING HOLES.
- MOUNT COVE EXTRUSION (BACKING) TO SURFACE, USING MOUNTING SCREWS (BY OTHERS) AND DRILLED MOUNTING HOLES.
- INSTALL 2" P.E.T. MOUNTING CHANNELS (SPACED EVERY 12") USING ADHESIVE BACKING. (REFERENCE BELOW IMAGE).



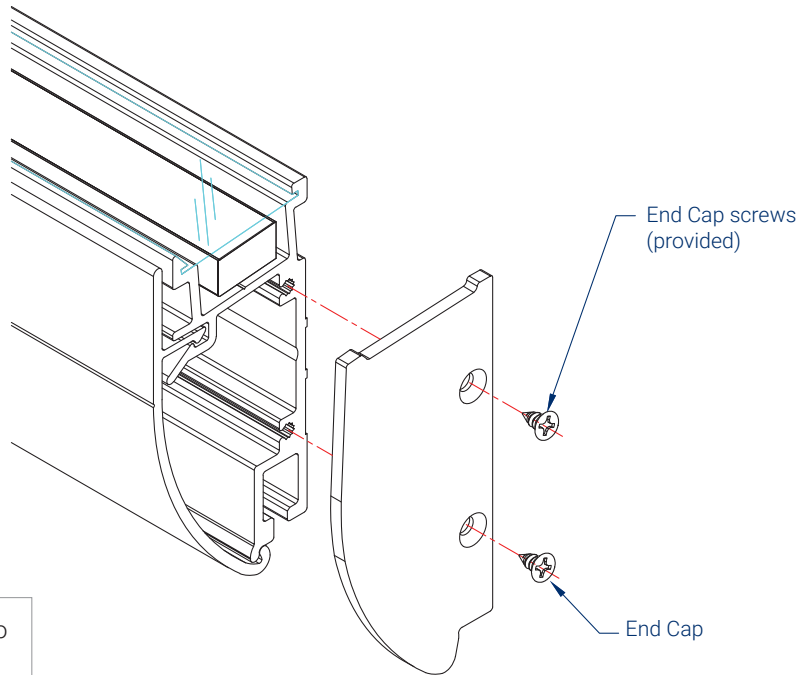
2 ORGALED LED / LENS INSTALLATION

- SET THE LED STRIP (UPRIGHT) IN THE CAVITY FROM THE TOP OF THE EXTRUSION AND THEN PLACE THE LENS ON.
- **-OR-** PLACE THE LENS ON FIRST AND THEN FEED THE LED STRIP THROUGH EITHER END OF THE EXTRUSION CAVITY.



3 ENDCAP INSTALLATION

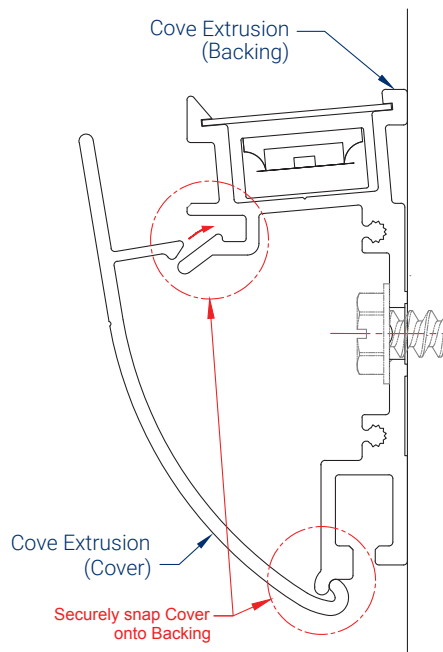
· INSTALL ENDCAPS AND SECURE WITH ENDCAP SCREWS (PROVIDED).



NOTE: End Caps to be installed prior to Cove Extrusion (Cover) installation.

4 EXTRUSIONS ASSEMBLY

· SNAP COVE EXTRUSION (COVER) ONTO COVE EXTRUSION (BACKING) UNTIL SECURE.



NOTE: Cover must snap onto Backing