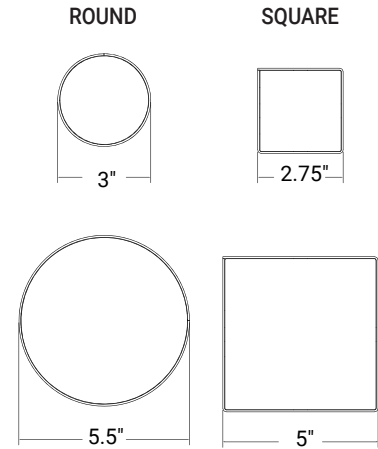
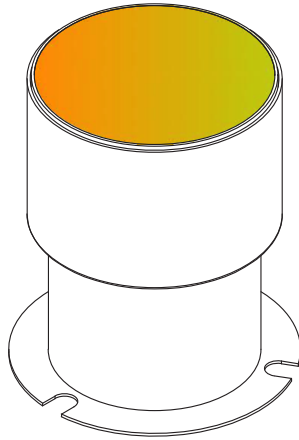


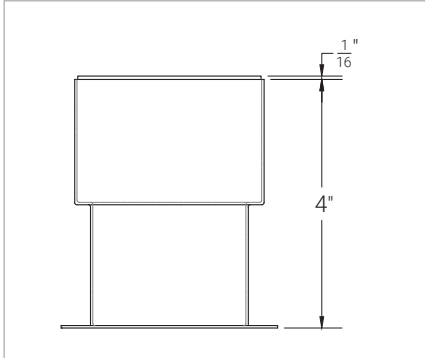


WARNING!

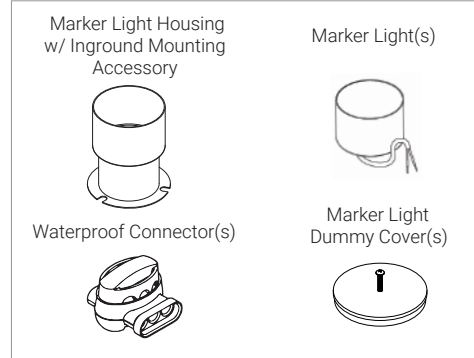
- READ THE PROVIDED INSTRUCTIONS PRIOR TO INSTALLING.
- INSTALLATION SHOULD BE CARRIED OUT BY QUALIFIED INSTALLERS.
- THE INSTALLER HAS THE FINAL RESPONSIBILITY FOR THE STRENGTH AND RIGIDITY OF THE FLOOR/WALL STRUCTURE.
- MUST HAVE PROPER DRAINAGE FOR OUTDOOR APPLICATIONS.



**MOUNTING DIMENSIONS**



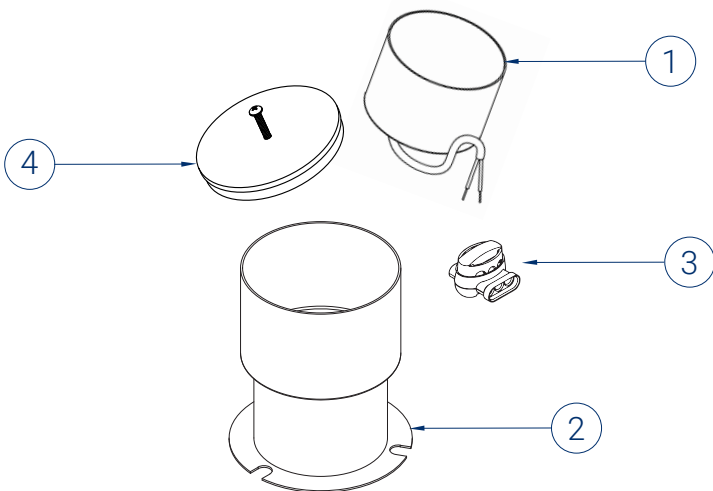
**PACKAGE INCLUDES**



**ITEMS NEEDED (SUPPLIED BY OTHERS)**



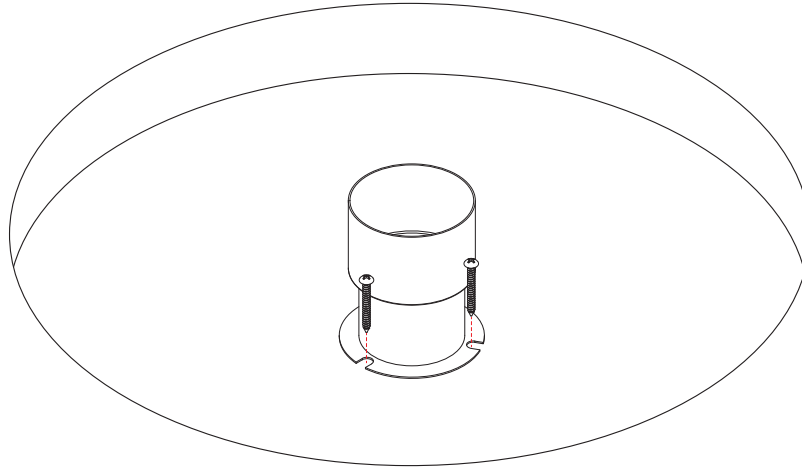
**ISOMETRIC / EXPLODED VIEW**



- (1) OrgaLED® Marker Light
- (2) Marker Light Housing w/ Inground Mounting Accessory
- (3) Waterproof Connectors
- (4) Marker Light Dummy Cover

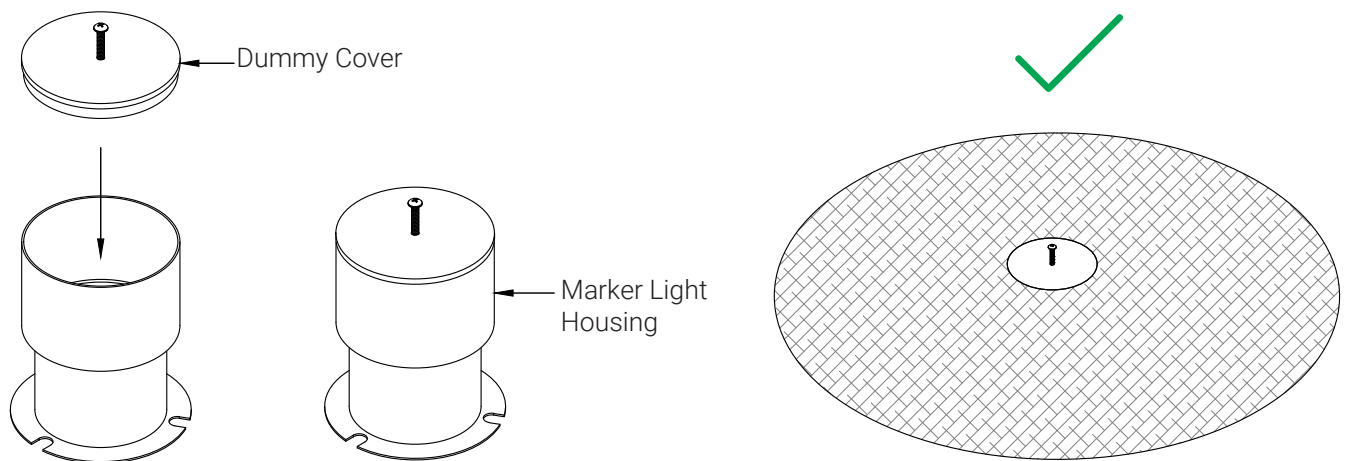
## 1 SECURE MARKER LIGHT

- SECURE AND PLACE MARKER LIGHT HOUSING IN DESIRED SURFACE.
- *SCREW SLOTS CAN BE UTILIZED TO FURTHER SECURE AND HOLD THE MARKER LIGHT HOUSING.*



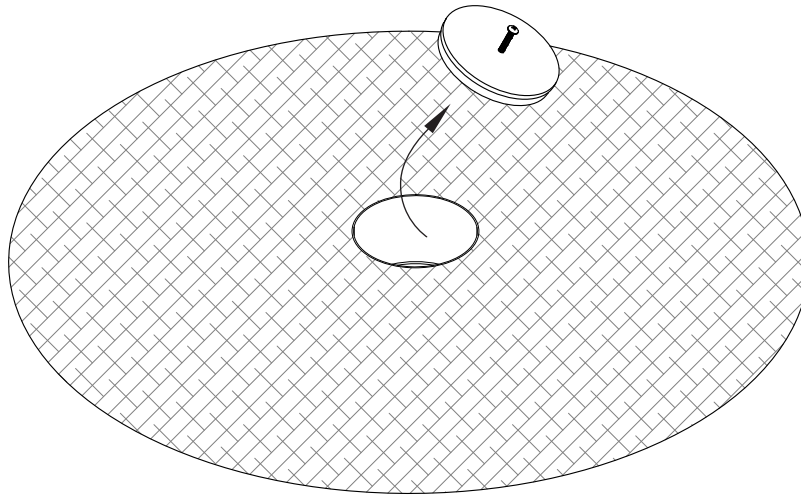
## 2 USE DUMMY COVER

- INSERT DUMMY COVER INTO MARKER LIGHT HOUSING PRIOR TO POURING CONCRETE.
- *TOP OF DUMMY COVER MUST BE FLUSH WITH FINISHED CONCRETE.*



### 3 REMOVE DUMMY COVER

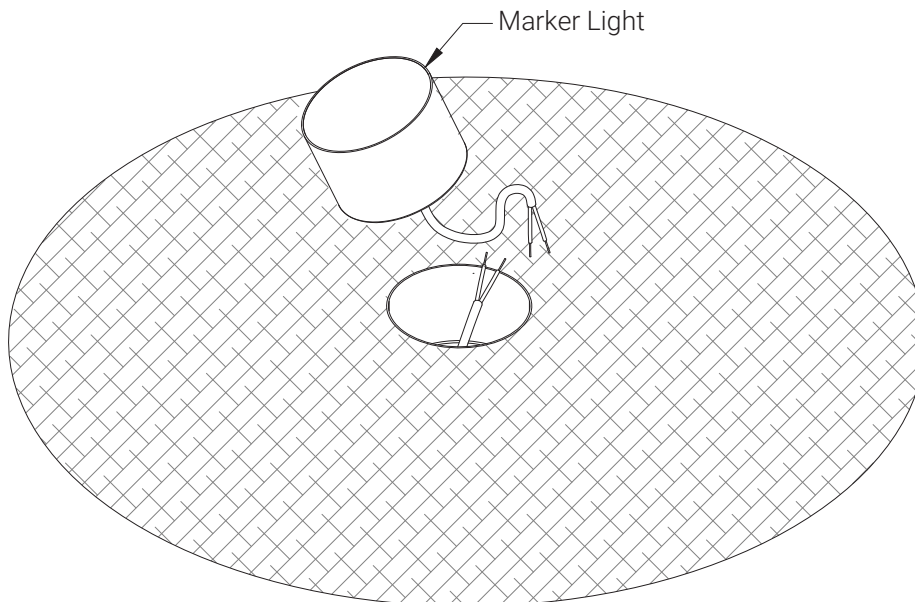
- REMOVE DUMMY COVER AFTER CONCRETE IS SET.
- SCREW ATTACHED TO DUMMY COVER FOR EASY LIFT.



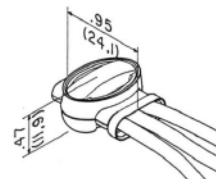
### 4 SECURE HOUSING IN PLACE

- USE WATERPROOF SPLICE CONNECTORS TO WIRE MARKER LIGHT INTO THE HOUSING.
- CONNECTORS PROVIDE (1M, 2HRS) WATERPROOF SEALING.

1. INSERT 2 OR 3 UNSTRIPPED(14-22 AWG) WIRES COMPLETELY INTO THE CONNECTOR AND CHECK THEIR POSITION BY LOOKING THROUGH THE TRANSLUCENT CONNECTOR BODY.
2. HOLD THE TOOL PERPENDICULAR TO THE WIRES AND MAKE THE CONNECTION BY DRIVING THE CAP DOWN FLUSH WITH THE TOP EDGE OF THE CONNECTOR BODY.

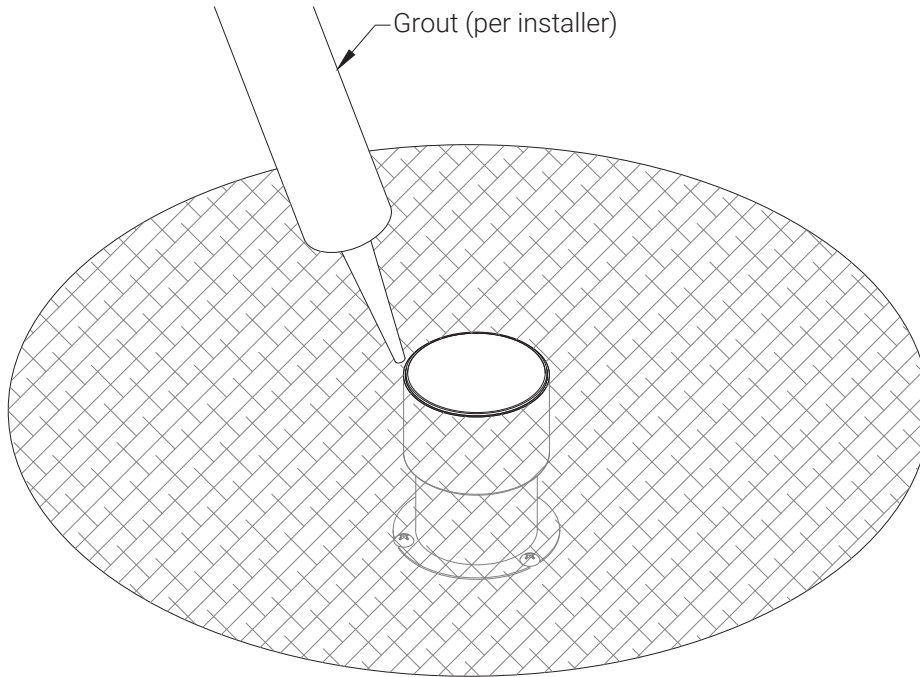


- MONO FIXTURE**  
 RED WIRE (24v+)  
 BLACK WIRE (24v-)
- RGB(W) FIXTURE**  
 BLACK WIRE (24V+)  
 RED WIRE (24v-)  
 GREEN WIRE (24v-)  
 BLUE WIRE (24v-)  
 WHITE WIRE (24v-)



### 3 SECURE INTO PLACE

· GROUT THE TRIM OF THE MARKER LIGHT TO SECURE THE MARKER LIGHT INTO PLACE.



### GRADING DETAIL

