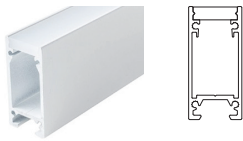
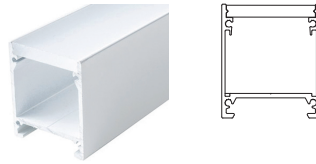


# OrgaLED® Line Extrusions

## 1" Line Extrusion



## 2" Line Extrusion



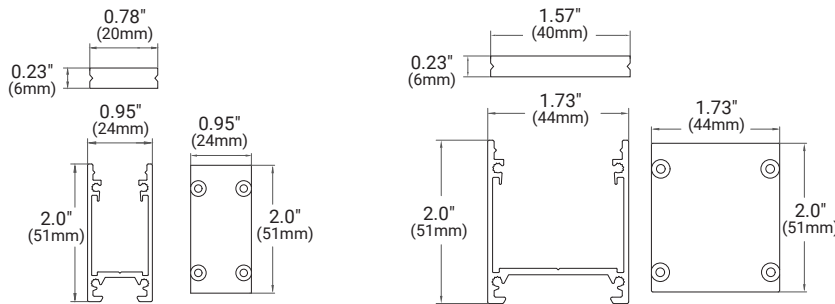
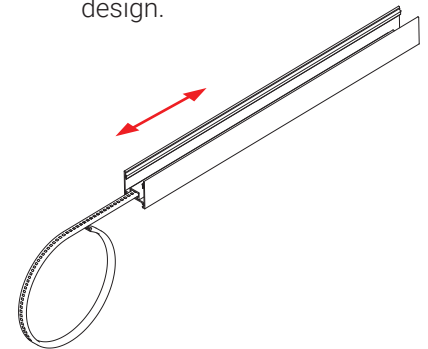
- Surface, wall, floor, recess, inverted or suspended mounting.
- Aluminum Extrusion, anodized.
- Frosted or clear 1/4in (6mm) thick heavy duty lenses with machined grooves allowing a secure flush finish.
- Fix short sections of cuttable self-adhesive PET Channel\*.
- Axis dowel pins enable alignment of connected lengths for a seamless look.
- Pair the 2" Line Extrusion with OrgaGlide 1 Channel for our patent pending slide-in lighting design.
- Custom Miter corners available.
- Sold per foot: 6ft-6in (2m) standard lengths.

Project

Date

## 2" Line Extrusion with OrgaGlide 1 PATENTS PENDING

Simplify installation and maintenance with OrgaGlide 1's patent pending slide in lighting design.



## PART NUMBER & SPECIFICATIONS

Part #	Description
<b>1" Line Extrusion</b>	
010982	1" Line Extrusion, White
010969B	1" End Cap, White Blank
010969H	1" End Cap, White with Power Hole
010977	1" Mounting Clip
010959	1" Frosted Walkover Lens
010966	1" Clear Walkover Lens
041007	PVC Clear Mounting Channel 3' 3" - For OrgaLED Strips
037006	PVC Clear Mounting Channel 4' 0" - For AC LED Strips
<b>2" Line Extrusion</b>	
010985	2" Line Extrusion, White
010971B	2" End Cap, White Blank
010971H	2" End Cap, White with Power Hole
010979	2" Mounting Clip
010961	2" Frosted Walkover Lens
010962	2" Frosted Decorative Lens
010967	2" Clear Walkover Lens
012957	OrgaGlide 1 Channel

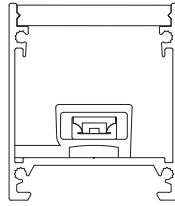
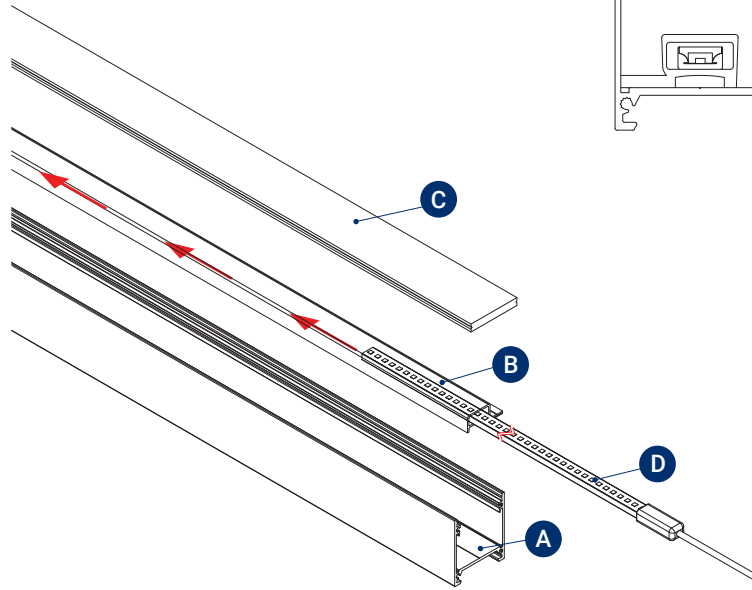
Specifications may be modified or improved without notification

# OrgaLED® Line Extrusions

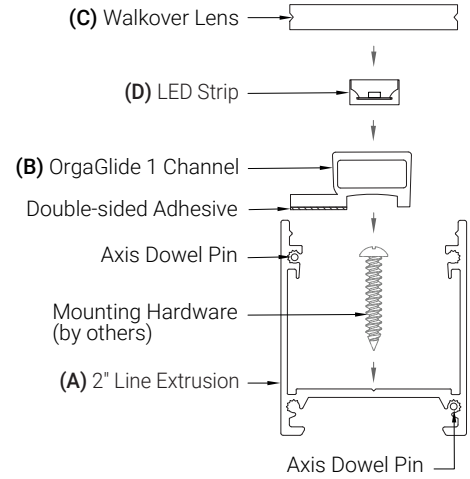
## OVERVIEW

### 2" Line Extrusion w/ OrgaGlide 1 Channel

PATENTS PENDING

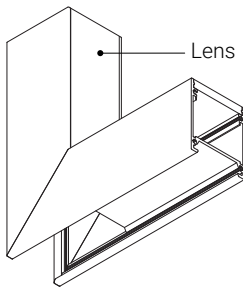


Project
Date

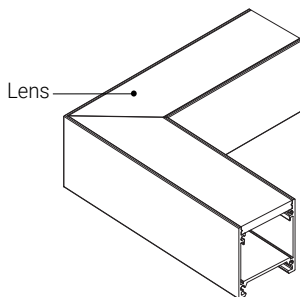


## CUSTOM MITER OPTIONS

### Vertical Custom Corner

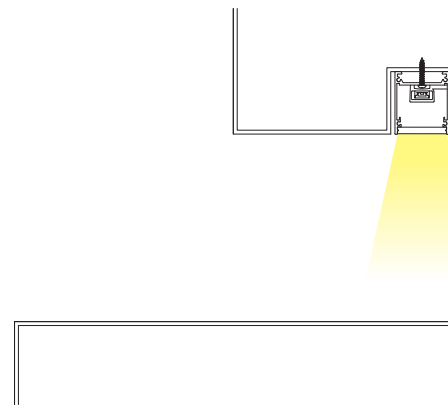


### Horizontal Custom Corner

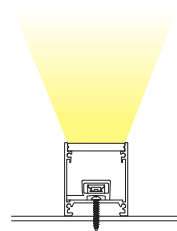


## APPLICATIONS

### Recessed Mount



### Surface Mount



Specifications may be modified or improved without notification