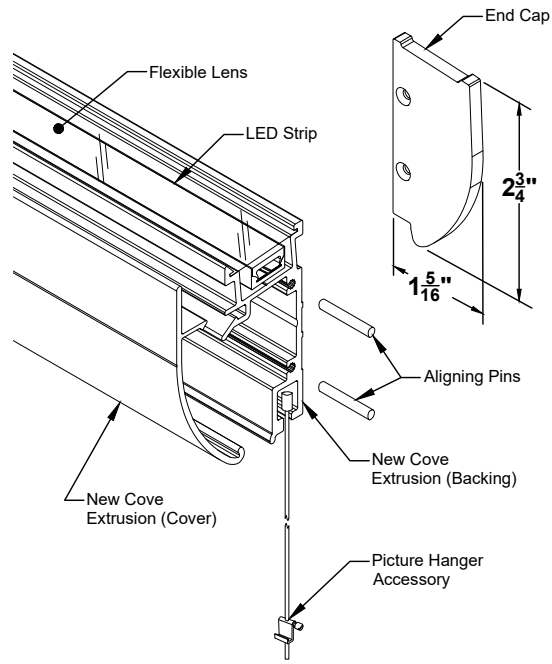


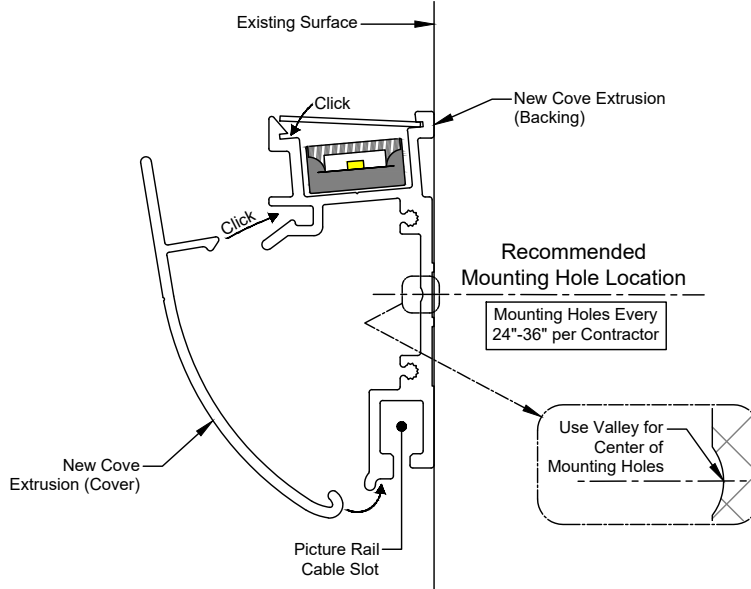
TITLE: New Cove Extrusion - Installation Instructions

Components (Isometric View):

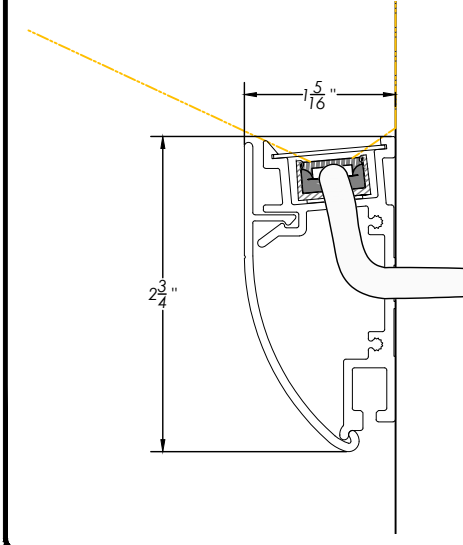


Installation:

1) Install Backing extrusion the same length as the LED strip run. 2) Leave 2"-4" gap for the power entry and from the end walls. 3) Set the LED strip (upright) in the cavity from the top of the extrusion and then place the lens on -or- Place the lens on first and then feed the LED strip through either end of the extrusion cavity.

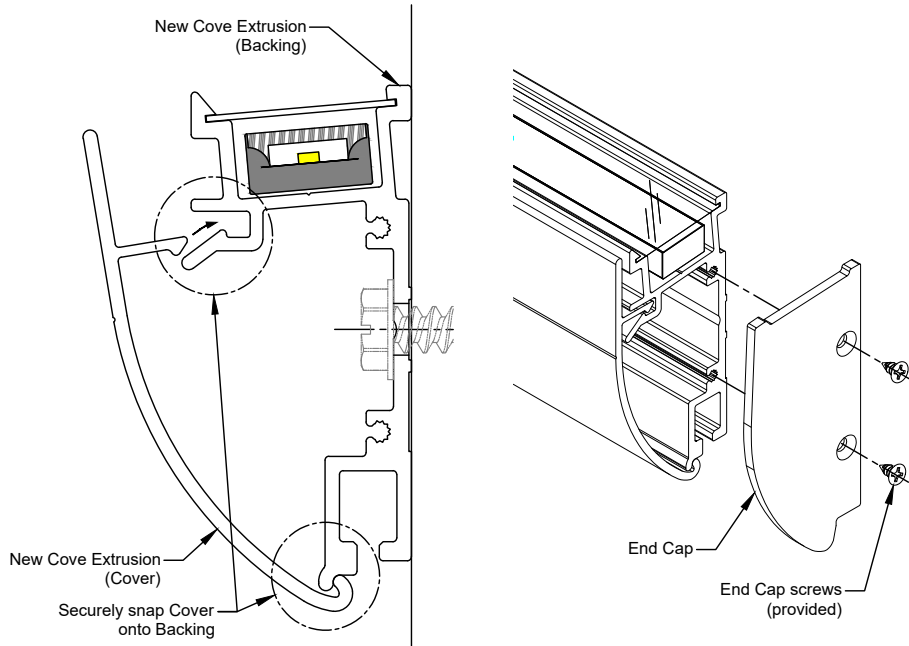


Complete Assembly - Section View:



Installation:

- 4) Cover must snap into Backing and butted together seamlessly.
- 5) End Caps are optional (preferably if the cove extrusion is not butted against a wall).



4. Assembly Installation:

