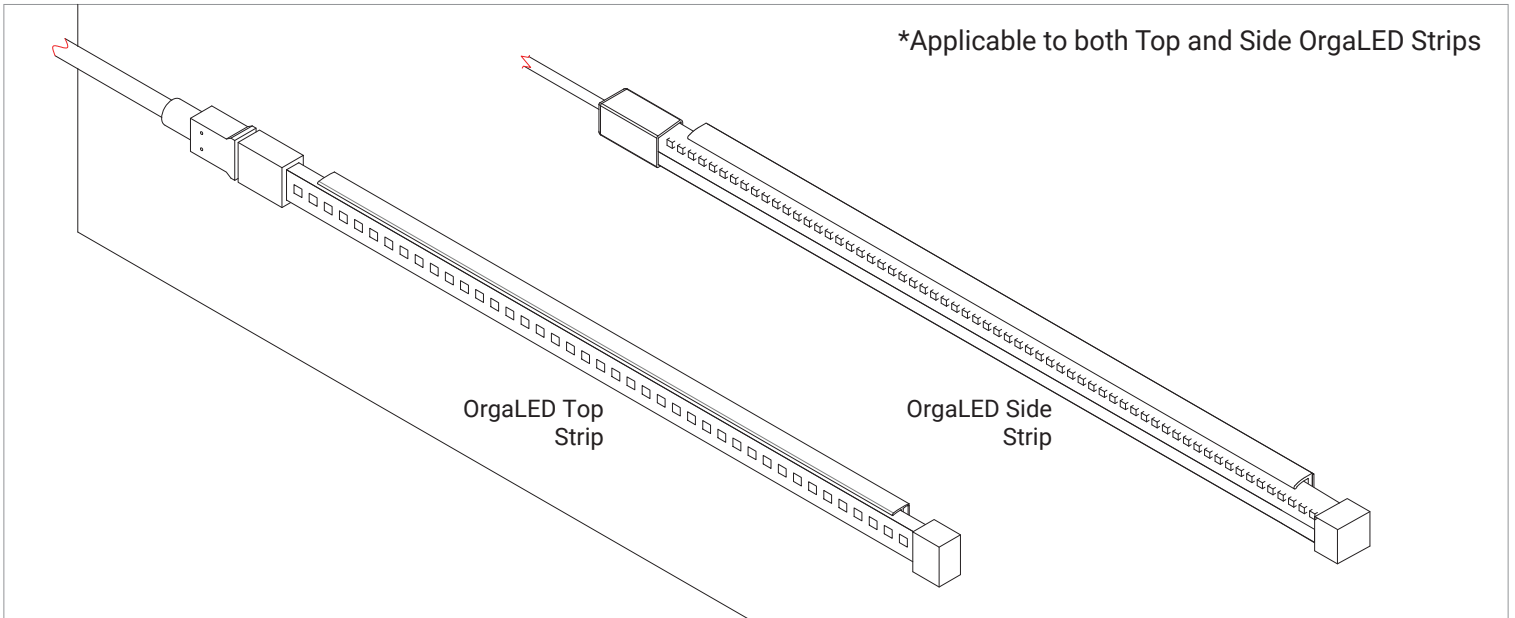


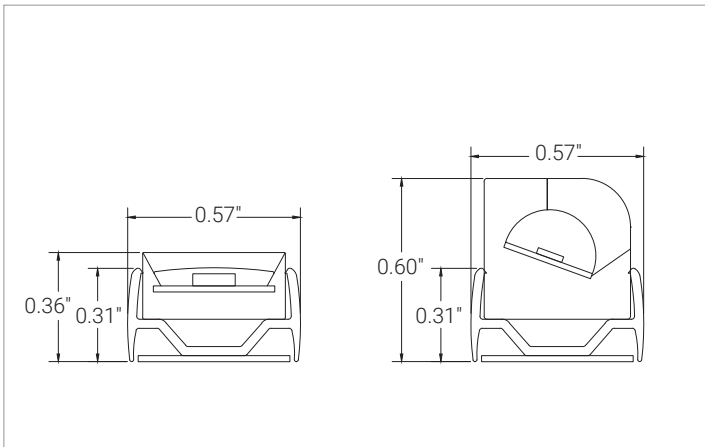


WARNING!

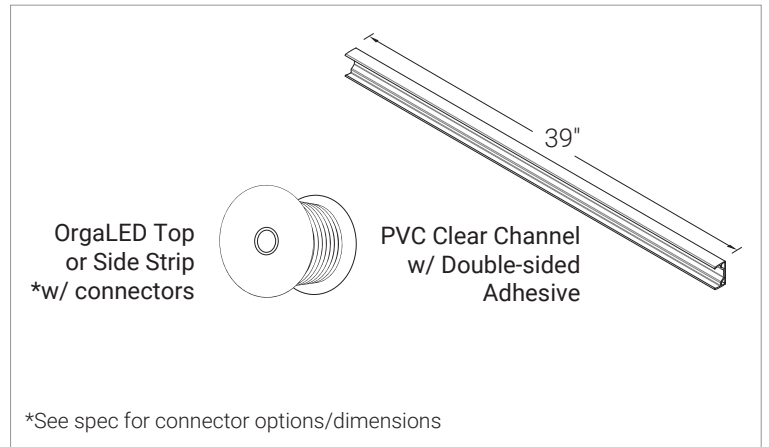
- READ THE PROVIDED INSTRUCTIONS PRIOR TO INSTALLING.
- INSTALLATION SHOULD BE CARRIED OUT BY QUALIFIED INSTALLERS.
- THE INSTALLER HAS THE FINAL RESPONSIBILITY FOR THE STRENGTH AND RIGIDITY OF THE WALL/CEILING STRUCTURE.
- A MINIMUM OF 2 PEOPLE REQUIRED WHEN INSTALLING LED STRIPS LONGER THAN 6FT(2M).



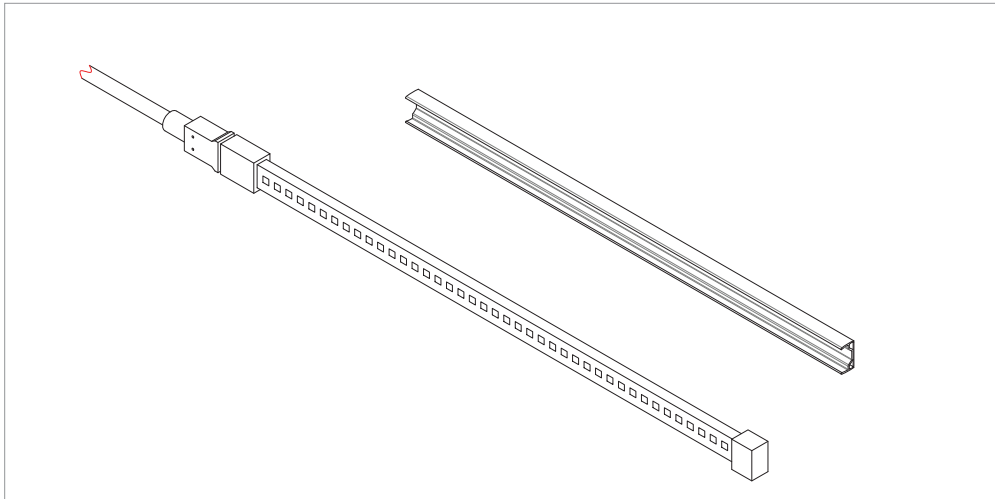
MOUNT DIMENSIONS



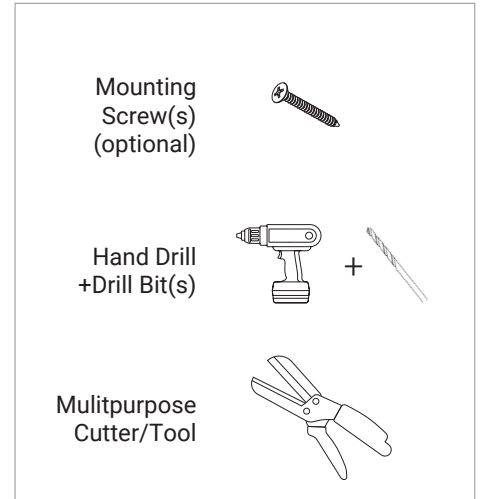
PACKAGE INCLUDES



ISOMETRIC / EXPLODED VIEW



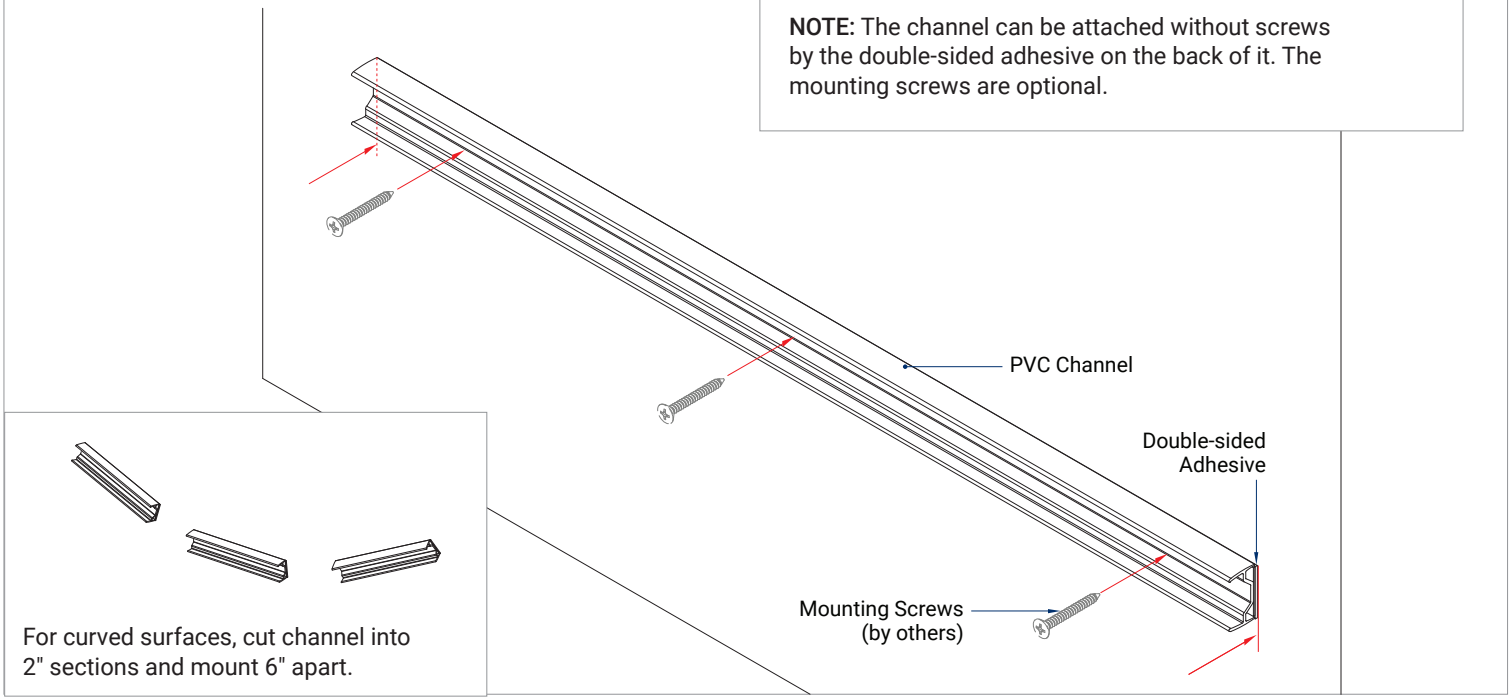
ITEMS NEEDED (BY OTHERS)



1 MOUNT PVC CHANNEL TO SURFACE

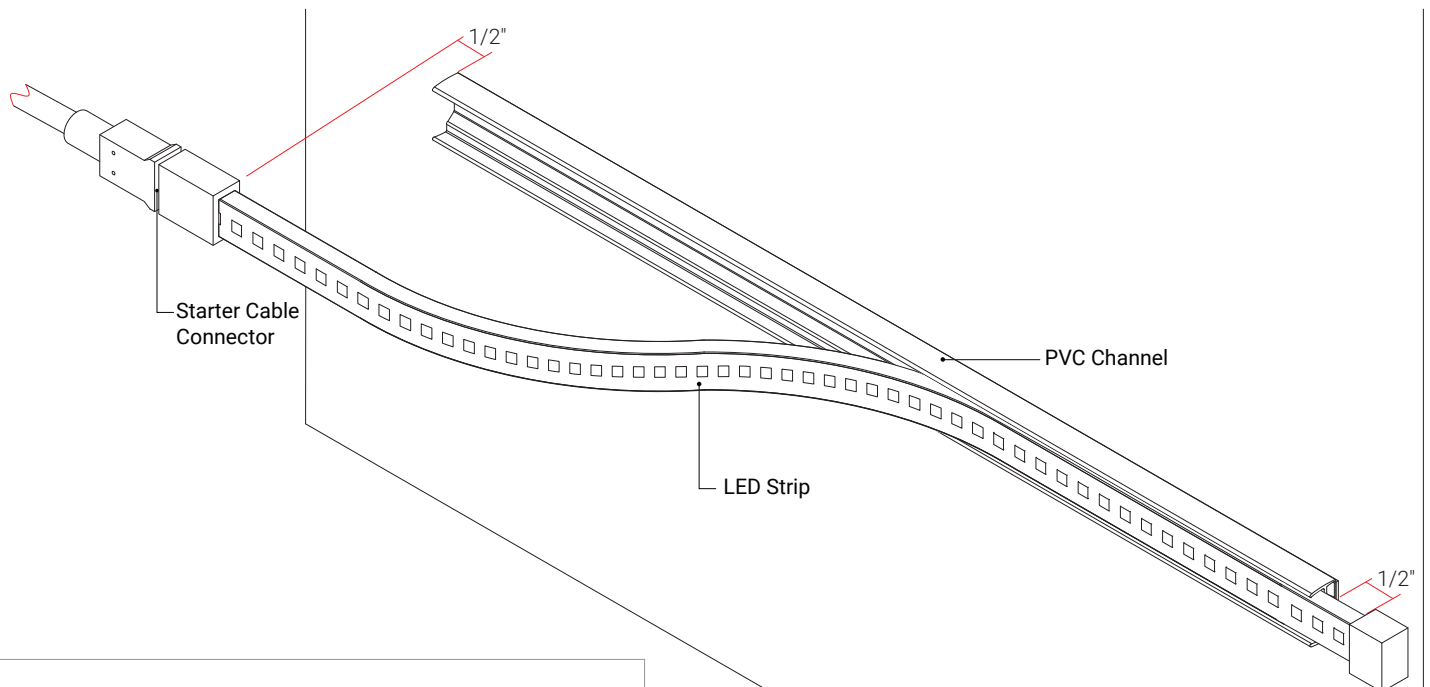
- Surface must be clean and free of debris.
- Remove film from double-sided adhesive on the back of the PVC Channel.
- Mount PVC Channel to desired surface. Press firmly until secure.
- Add mounting screws throughout channel for additional support (optional).

NOTE: The channel can be attached without screws by the double-sided adhesive on the back of it. The mounting screws are optional.



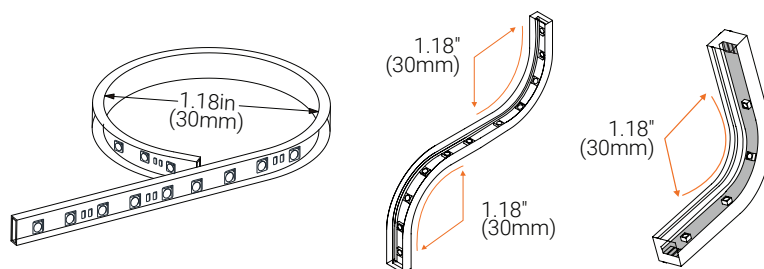
2 ATTACH LED STRIP

- Starting from one end with spacing of 1/2", gently push LED strip into the channel.
- Take into consideration LED connector dimensions for accurate spacing.

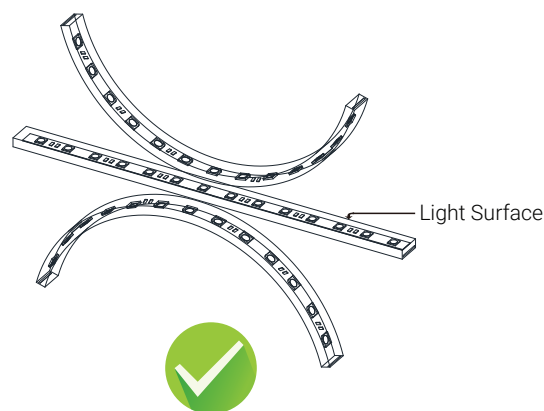


NOTE: It is recommended to place OrgaLED connector on the LED Strip before inserting into PVC Channel.

1. Before making any cuts, installation, maintenance or connection, be sure the mains is disconnected!
2. Note: all connector joints must be connected correctly to achieve IP67 rating.
3. Please operate this flex light by instructions, and confirm the work voltage, it must be matched with product requirements.
4. Please confirm the polarity of connector before insertion front connection cable.
5. Connect and cut this product correctly. Any wrong operation will damage this product.
6. Using qualified DC power supply.
7. Please correctly use and bend this flex ribbon light, see the figures on the right.
8. Do not operate light when ambient temperature exceeds the range of specified temperature in User Manual.
9. Do not energize the light over 30 minutes in coil packaging.
10. Do not mix the four colors (R,G,B,W) in full load simultaneously.



Do not bend smaller than allowed. Minimum bend diameter 1.18in (30mm).



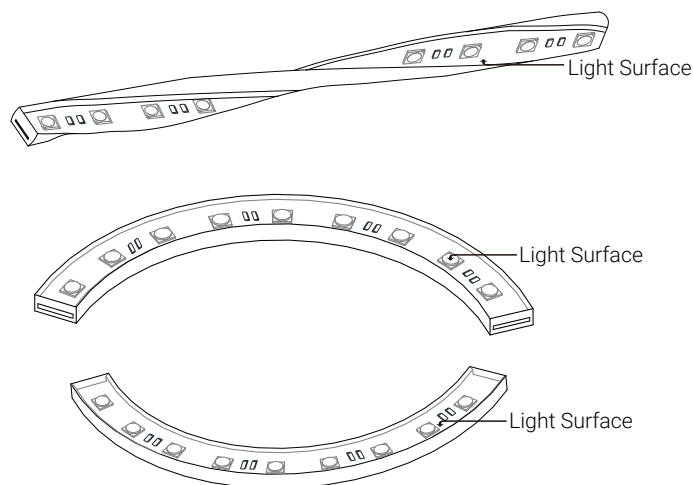
WARNING

This product comes with a 5 year warranty.

Warranty Void if:

1. The installation guide has not been consulted (installation mistake).
2. The installation is not done by a certified installer.
3. Local rules and guidelines are not respected.
4. The invoice cannot be shown and/or has been altered.
5. Damage is caused by negligence, abnormal use or improper handling, use, maintenance and/or cleaning of the product.

This product is intended for professional use only! This product must be installed by a qualified and certified installer according to local rules and guidelines. Organic Lighting Systems, Inc. cannot be held liable for (consequential) damage and/or injuries due to unintended use and/or installation errors.



Warning: The above wrong approaches will damage the product.