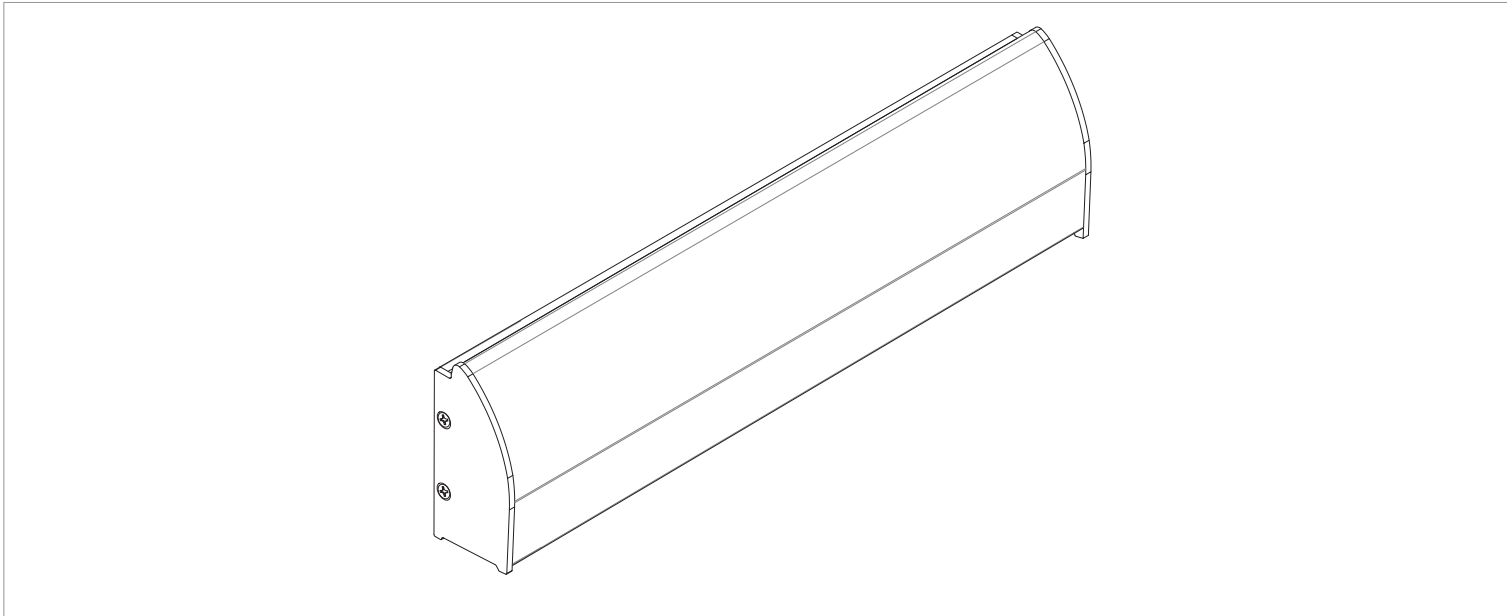


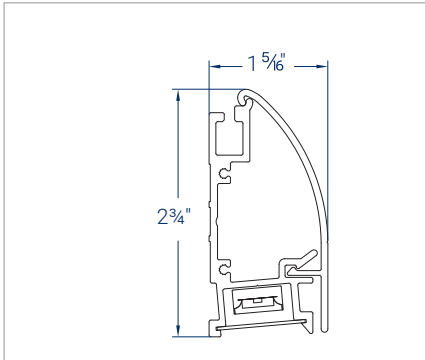


WARNING!

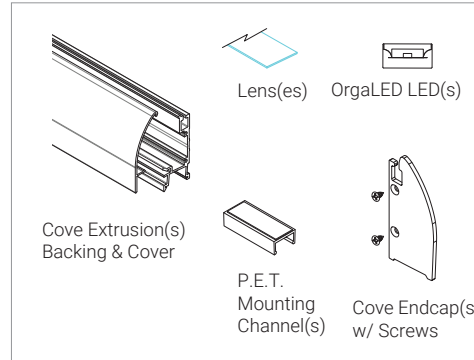
- READ THE PROVIDED INSTRUCTIONS PRIOR TO INSTALLING.
- INSTALLATION SHOULD BE CARRIED OUT BY QUALIFIED INSTALLERS.
- THE INSTALLER HAS THE FINAL RESPONSIBILITY FOR THE STRENGTH AND RIGIDITY OF THE WALL/CEILING STRUCTURE.
- A MINIMUM OF 2 PEOPLE REQUIRED WHEN INSTALLING LONG LENGTH FIXTURES.



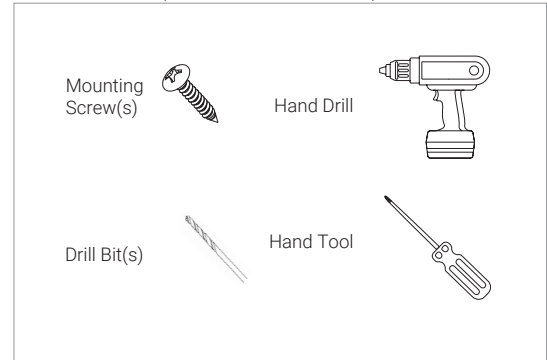
MOUNTING DIMENSIONS



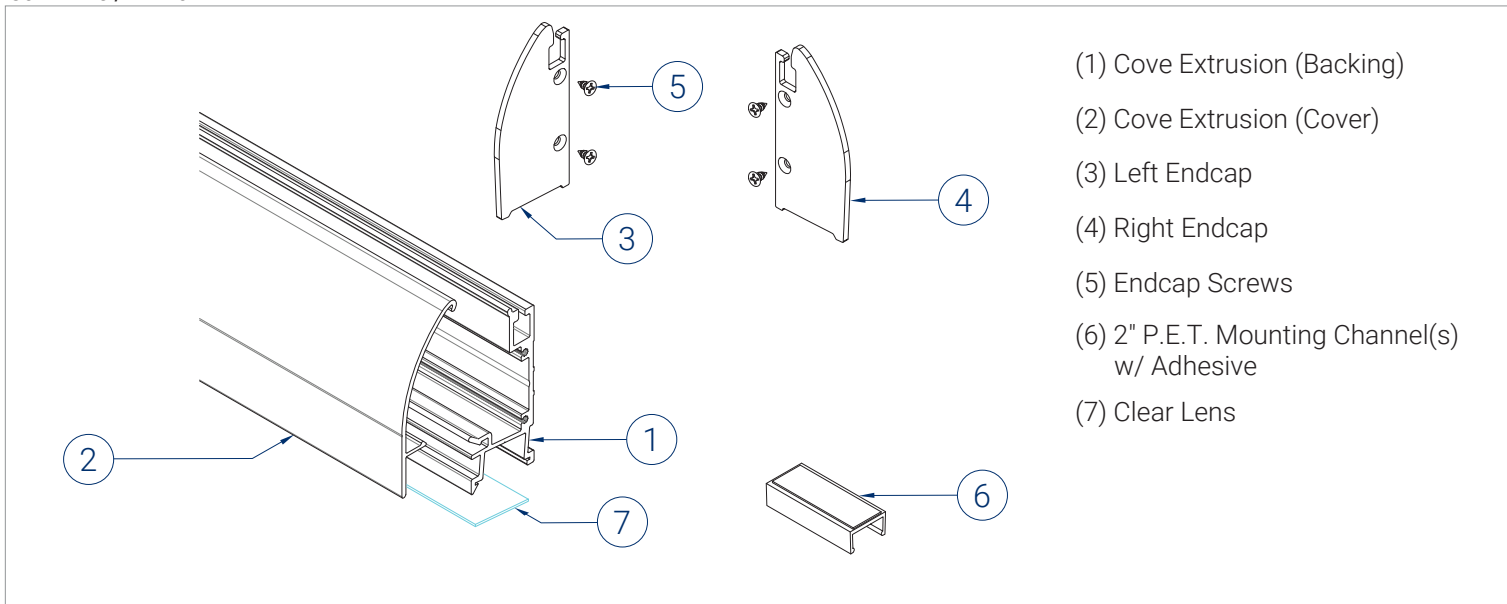
PACKAGE MAY INCLUDE



ITEMS NEEDED (SUPPLIED BY OTHERS)

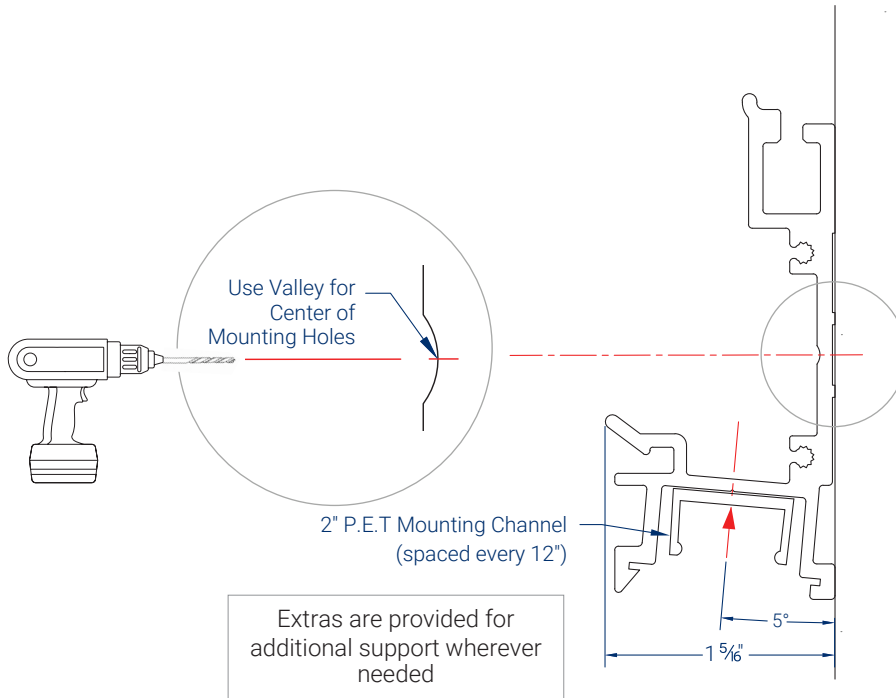


ISOMETRIC / EXPLODED VIEW



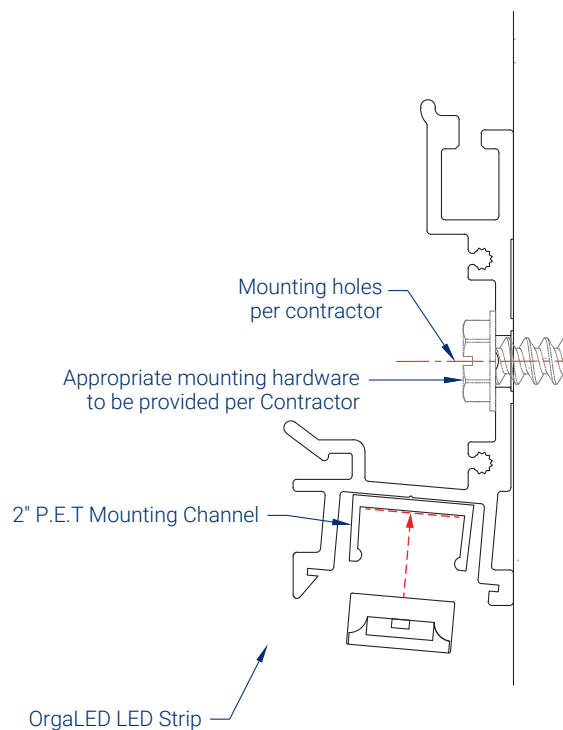
1 BACKING INSTALLATION

- USE A DRILL (BY OTHERS) TO DRILL HOLES IN THE COVE EXTRUSION (BACKING) USING VALLEY FOR CENTER OF MOUNTING HOLES.
- MOUNT COVE EXTRUSION (BACKING) TO SURFACE, USING MOUNTING SCREWS (BY OTHERS) AND DRILLED MOUNTING HOLES.
- INSTALL 2" P.E.T. MOUNTING CHANNELS (SPACED EVERY 12") USING ADHESIVE BACKING. (REFERENCE BELOW IMAGE).



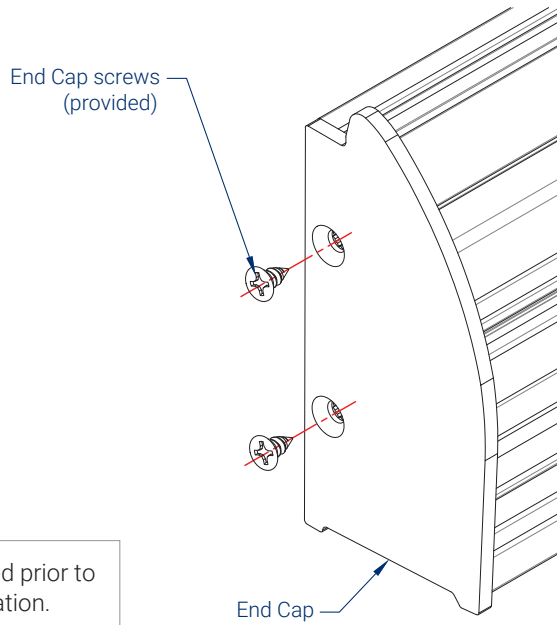
2 ORGALED LED INSTALLATION

- GENTLY PUSH-FIT THE ORGALED LED STRIP INTO THE P.E.T. MOUNTING CHANNEL.



3 ENDCAP INSTALLATION

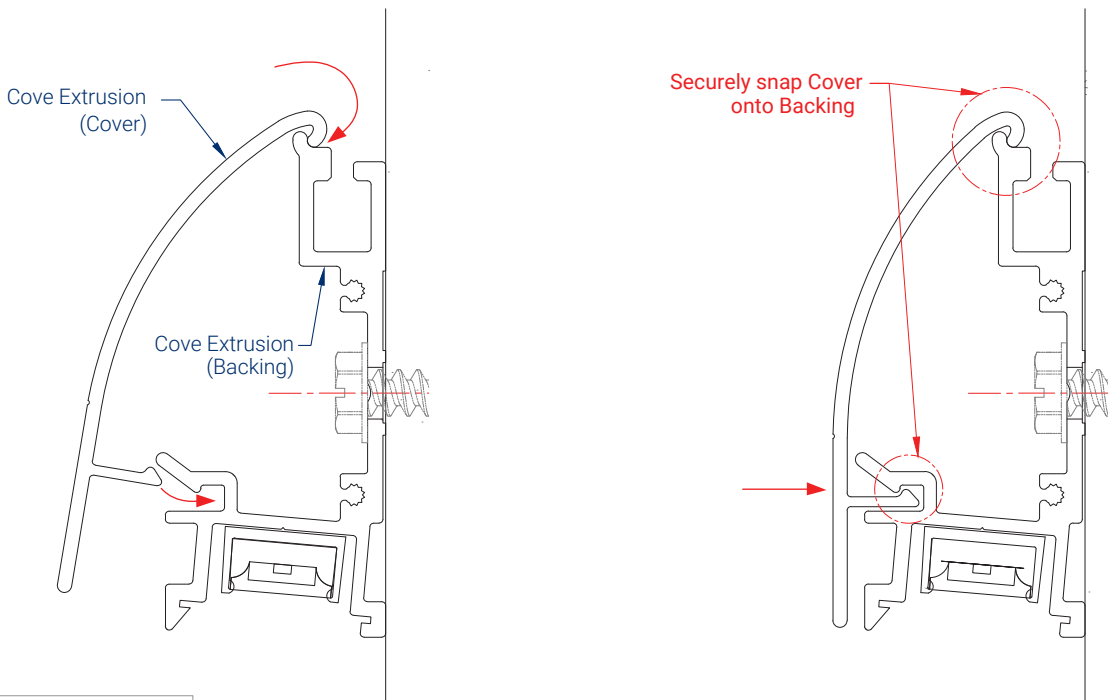
· INSTALL ENDCAPS AND SECURE WITH ENDCAP SCREWS (PROVIDED).



NOTE: End Caps to be installed prior to Cove Extrusion (Cover) installation.

4 EXTRUSIONS ASSEMBLY

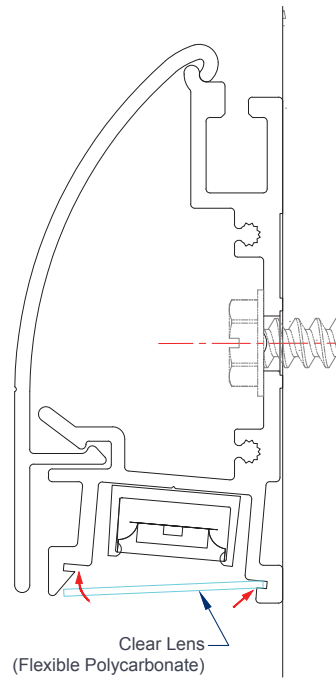
· SNAP COVE EXTRUSION (COVER) ONTO COVE EXTRUSION (BACKING) UNTIL SECURE.



NOTE: Cover must snap onto Backing

3 LENS ASSEMBLY

· SNAP IN CLEAR LENS (SEE BELOW REFERENCE).



NOTE: Test LED strip prior to installing lens.
Press fit flexible lens as shown.