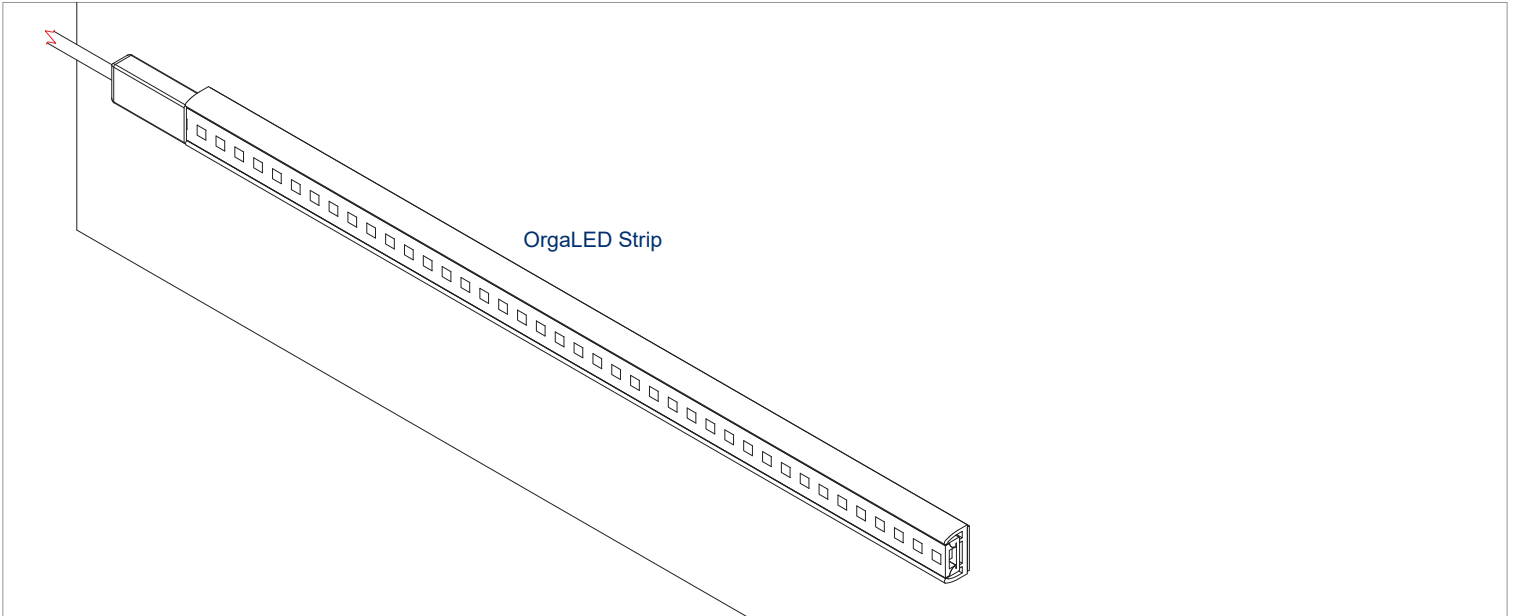


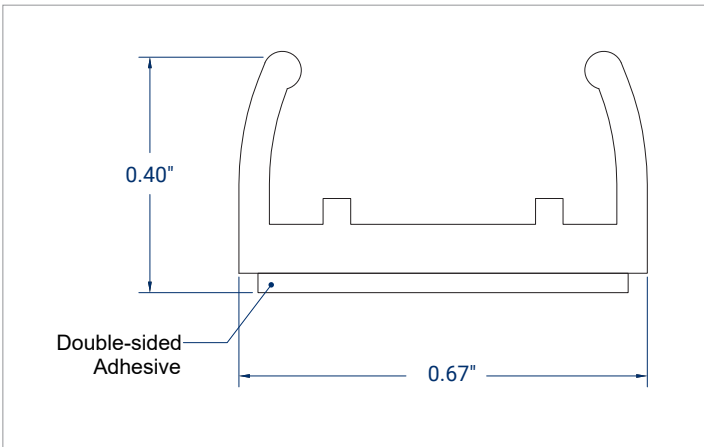


WARNING!

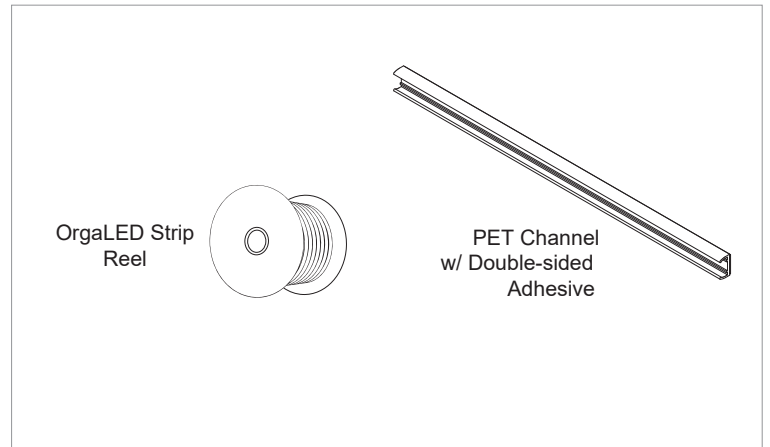
- READ THE PROVIDED INSTRUCTIONS PRIOR TO INSTALLING.
- INSTALLATION SHOULD BE CARRIED OUT BY QUALIFIED INSTALLERS.
- THE INSTALLER HAS THE FINAL RESPONSIBILITY FOR THE STRENGTH AND RIGIDITY OF THE WALL/CEILING STRUCTURE.
- A MINIMUM OF 2 PEOPLE REQUIRED WHEN INSTALLING LONG LENGTH FIXTURES.



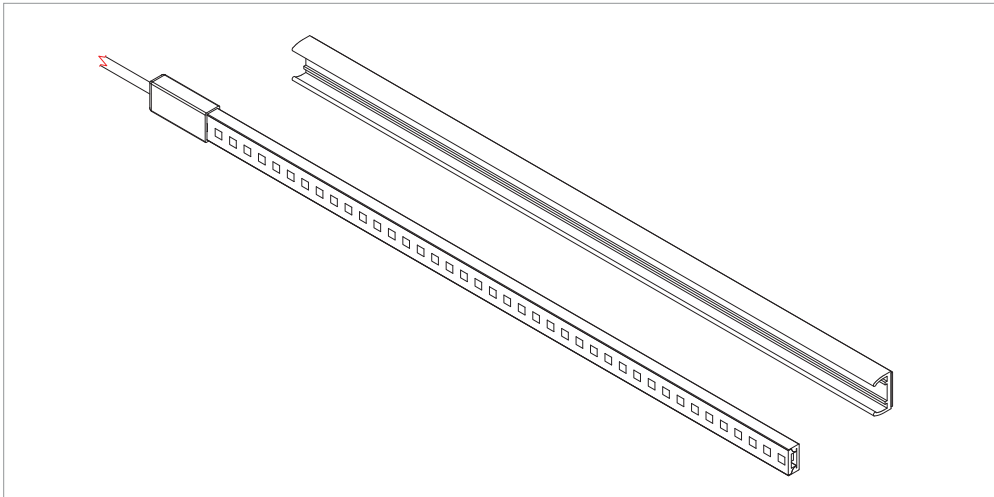
MOUNT DIMENSIONS



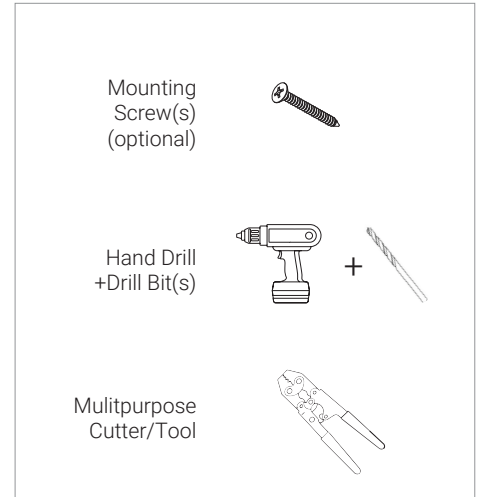
PACKAGE INCLUDES



ISOMETRIC / EXPLODED VIEW



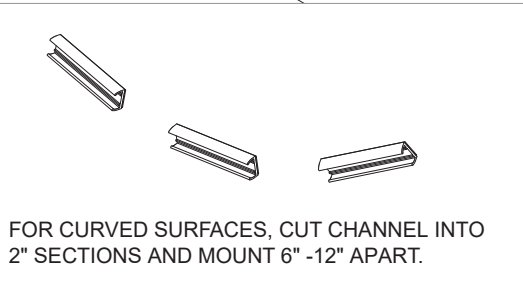
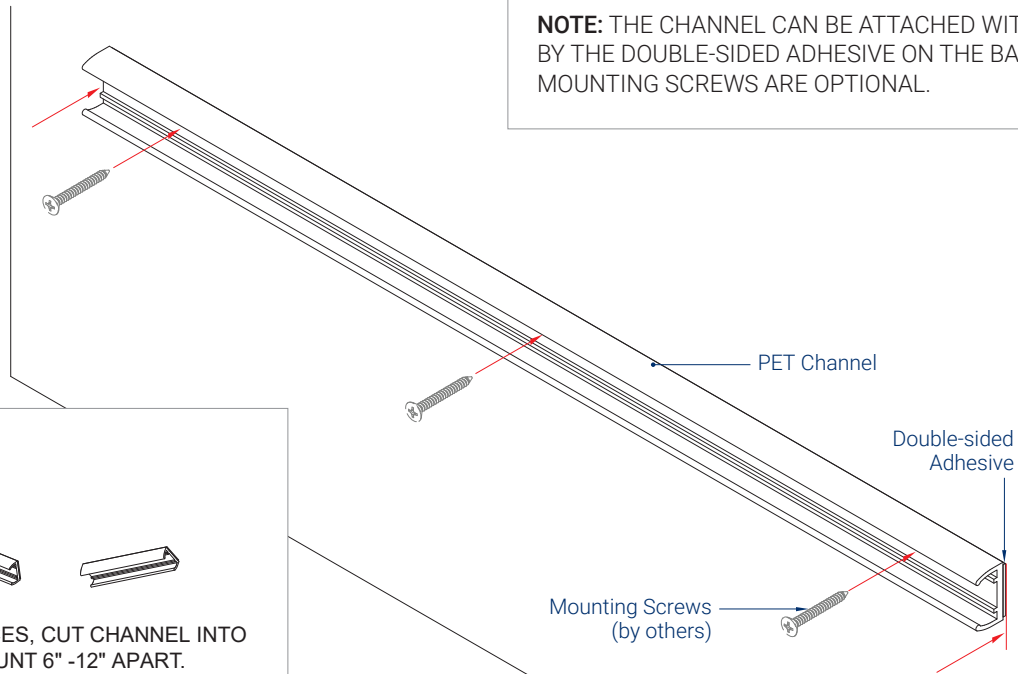
ITEMS NEEDED (BY OTHERS)



1 MOUNT PET CHANNEL TO SURFACE

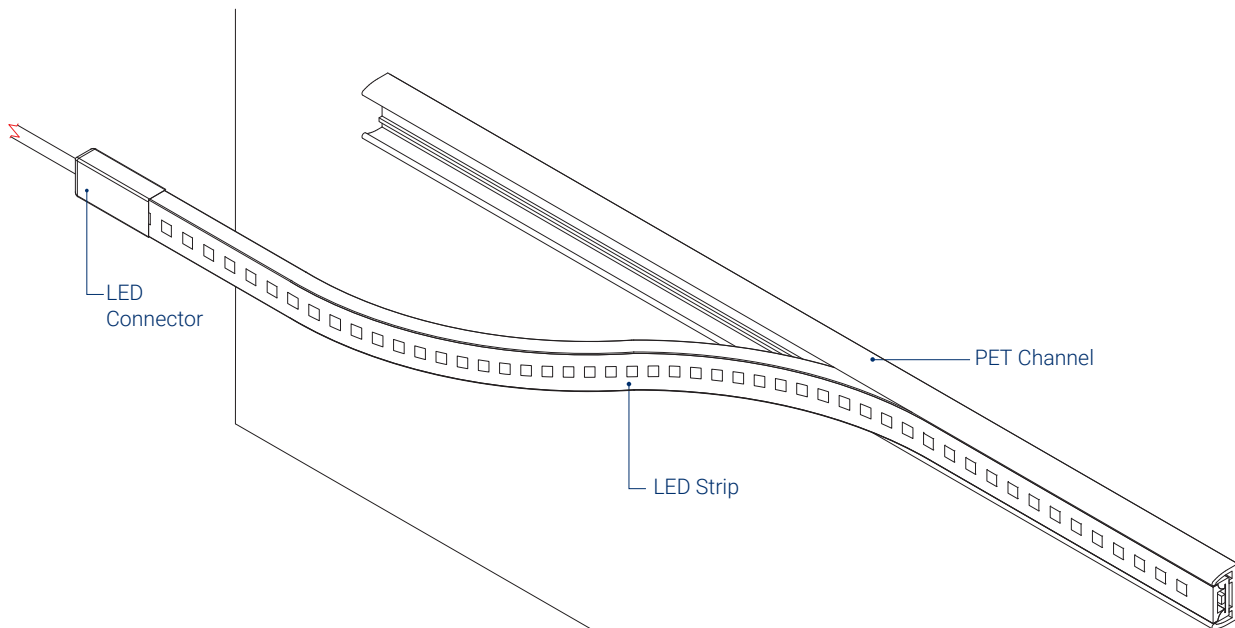
- REMOVE FILM FROM DOUBLE-SIDED ADHESIVE ON THE BACK OF THE PET CHANNEL.
- MOUNT PET CHANNEL TO DESIRED SURFACE. PRESS FIRMLY UNTIL SECURE.
- ADD MOUNTING SCREWS THROUGHOUT CHANNEL FOR ADDITIONAL SUPPORT (OPTIONAL).

NOTE: THE CHANNEL CAN BE ATTACHED WITHOUT SCREWS BY THE DOUBLE-SIDED ADHESIVE ON THE BACK OF IT. THE MOUNTING SCREWS ARE OPTIONAL.



2 ATTACH LED STRIP

- STARTING FROM ONE END, GENTLY PUSH LED STRIP UNTIL IT IS FLUSH WITH THE CHANNEL.
- TAKE INTO CONSIDERATION LED CONNECTOR DIMENSIONS FOR ACCURATE SPACING.



NOTE: It is recommended to place the LED connector on the LED Strip before inserting into PET Channel.