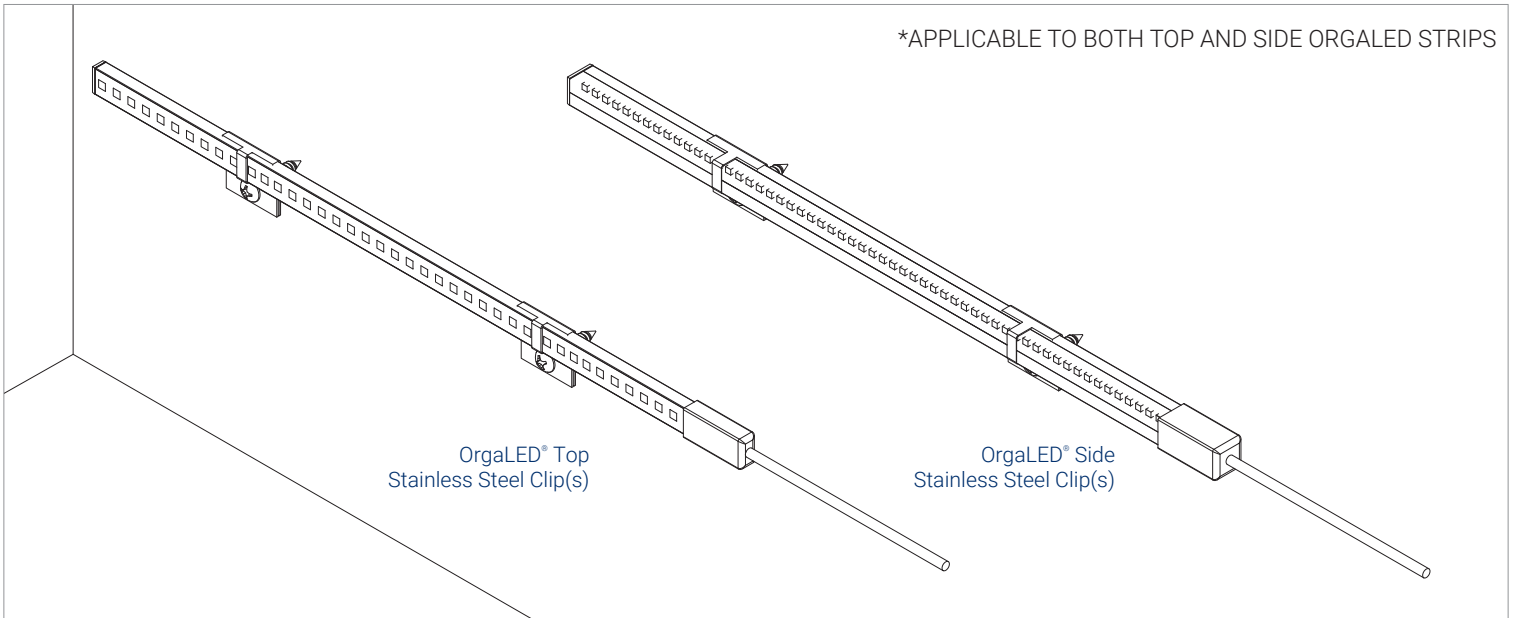


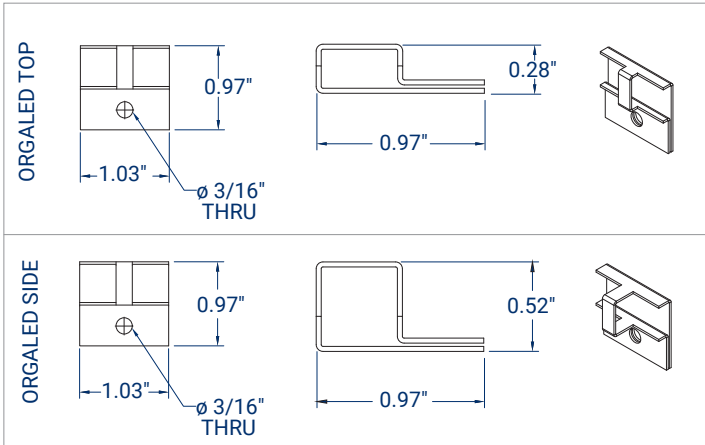


WARNING!

- READ THE PROVIDED INSTRUCTIONS PRIOR TO INSTALLING.
- INSTALLATION SHOULD BE CARRIED OUT BY QUALIFIED INSTALLERS.
- THE INSTALLER HAS THE FINAL RESPONSIBILITY FOR THE STRENGTH AND RIGIDITY OF THE WALL/CEILING STRUCTURE.
- A MINIMUM OF 2 PEOPLE REQUIRED WHEN INSTALLING LONG LENGTH FIXTURES.



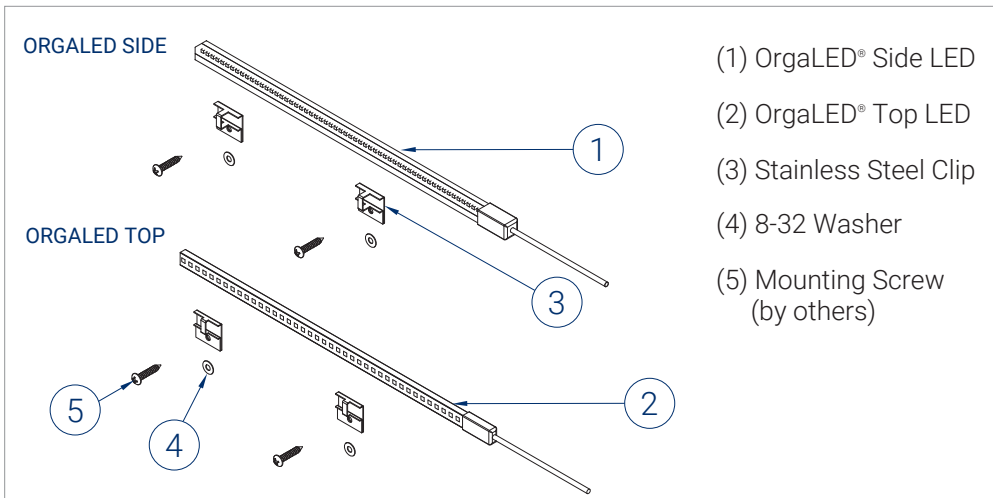
**MOUNT DIMENSIONS**



**PACKAGE INCLUDES**

	FOR ORGALED TOP	FOR ORGALED SIDE
OrgaLED® Top Stainless Steel Clip(s)		OrgaLED® Side Stainless Steel Clip(s)
OrgaLED® Top LED Strip		OrgaLED® Side LED Strip
8-32 Washer		8-32 Washer

**ISOMETRIC / EXPLODED VIEW**

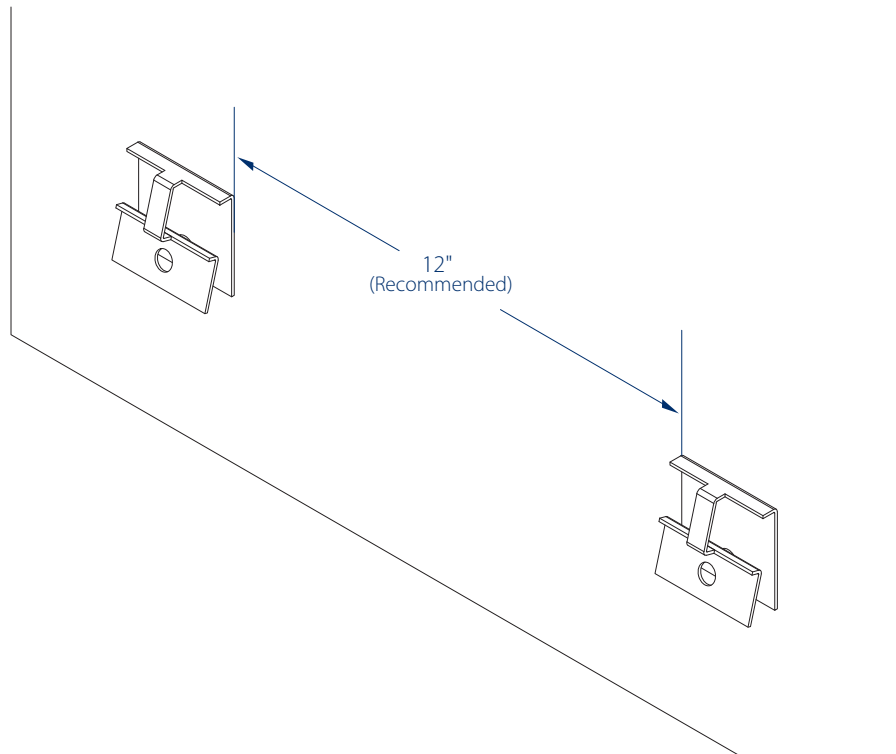


**ITEMS NEEDED (BY OTHERS)**

Mounting Screw(s)	
Drill Bit	
Hand Drill	
Laser Level	

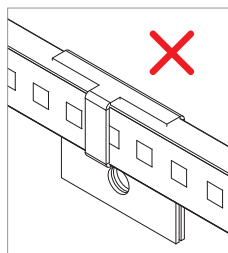
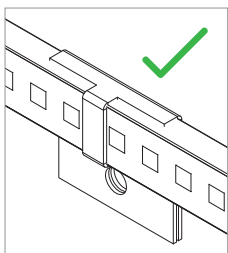
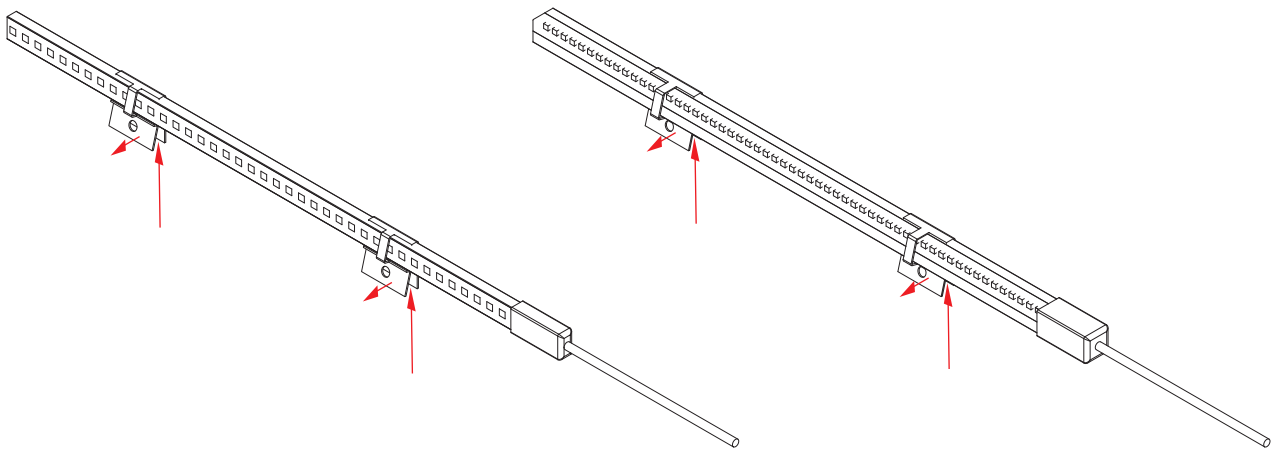
## 1 PLAN OUT SPACING BETWEEN CLIPS

- PREDRILL STAINLESS STEEL CLIP MOUNTING HOLES TO DESIRED SURFACE. 12" BETWEEN CLIPS IS RECOMMENDED.
- USE LASER LEVEL TO ENSURE MOUNTING IS LEVEL.



## 2 INSERT LINED STRIP

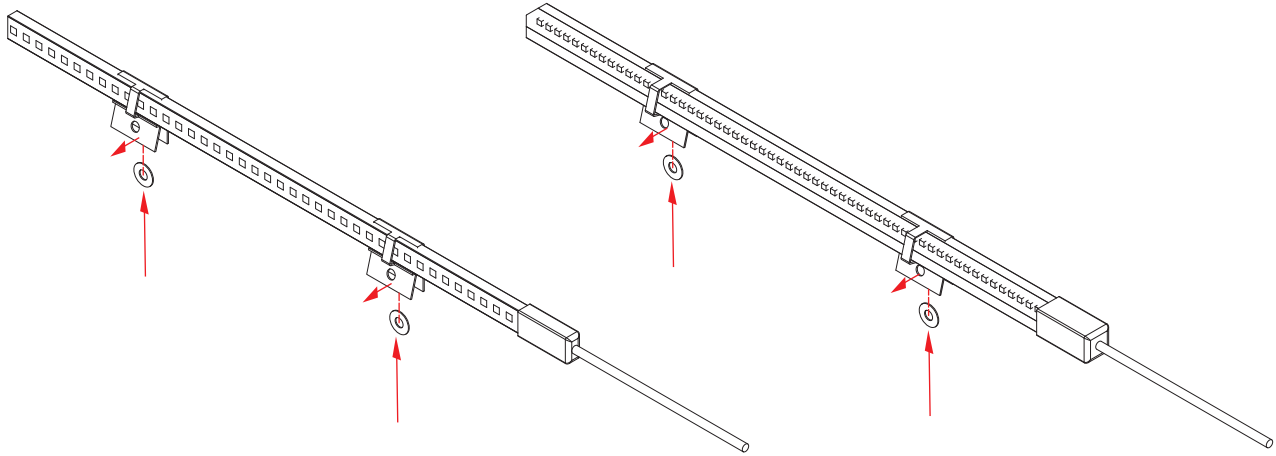
- PREINSTALL CLIPS THROUGHOUT THE LENGTH OF THE LED STRIP RUN.
- ENSURE CLIPS ARE OPEN AND CAREFULLY INSERT LED STRIP INTO CLIPS.



**NOTE: DO NOT PLACE STAINLESS STEEL CLIP ON TOP OF LED STRIP DIODE OR PCB CONNECTIONS. THIS WILL RESULT IN DAMAGE OF LED STRIP.**

### 3 INSERT WASHER(S)

· ENSURE CLIPS ARE OPEN AND CAREFULLY INSERT WASHER BETWEEN GAP OF THE MOUNTING CLIP.



**NOTE:** BE CAUTIOUS OF LED STRIP BENDING. THIS WILL DAMAGE THE STRIP.

### 4 CLOSE CLIP(S)

· STARTING FROM EITHER END, ALIGN MOUNTING SCREW WITH BOTH THE MOUNTING CLIP AND THE WASHER. DRIVE SCREW UNTIL SECURED

