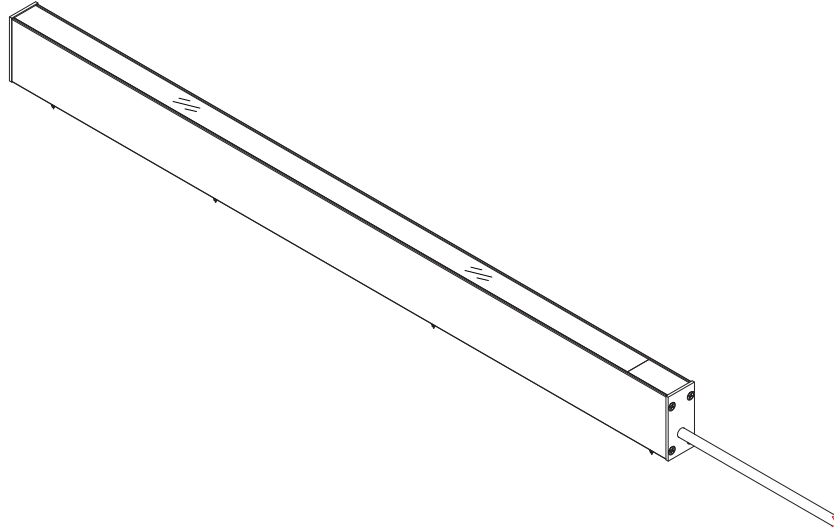


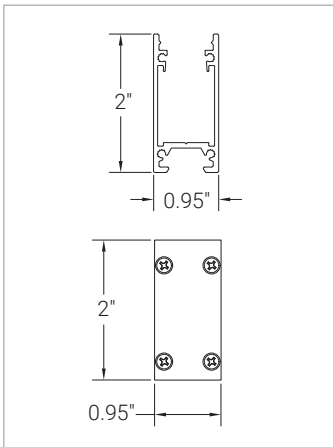


WARNING!

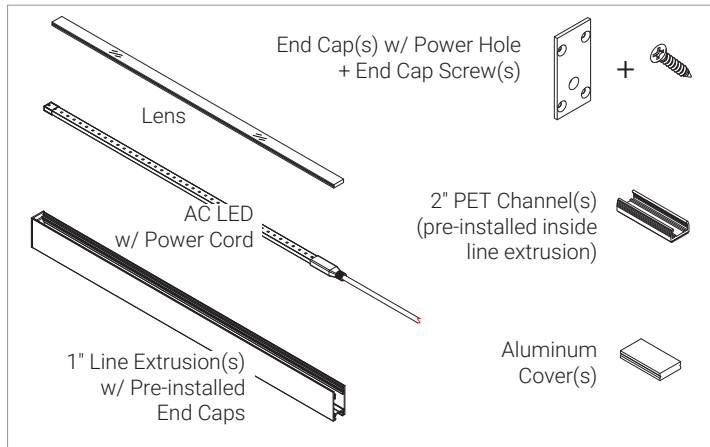
- READ THE PROVIDED INSTRUCTIONS PRIOR TO INSTALLING.
- INSTALLATION SHOULD BE CARRIED OUT BY QUALIFIED INSTALLERS.
- THE INSTALLER HAS THE FINAL RESPONSIBILITY FOR THE STRENGTH AND RIGIDITY OF THE WALL/CEILING STRUCTURE.
- A MINIMUM OF 2 PEOPLE REQUIRED WHEN INSTALLING LONG LENGTH FIXTURES.



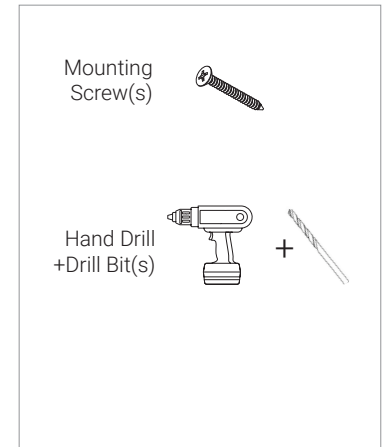
MOUNT DIMENSIONS



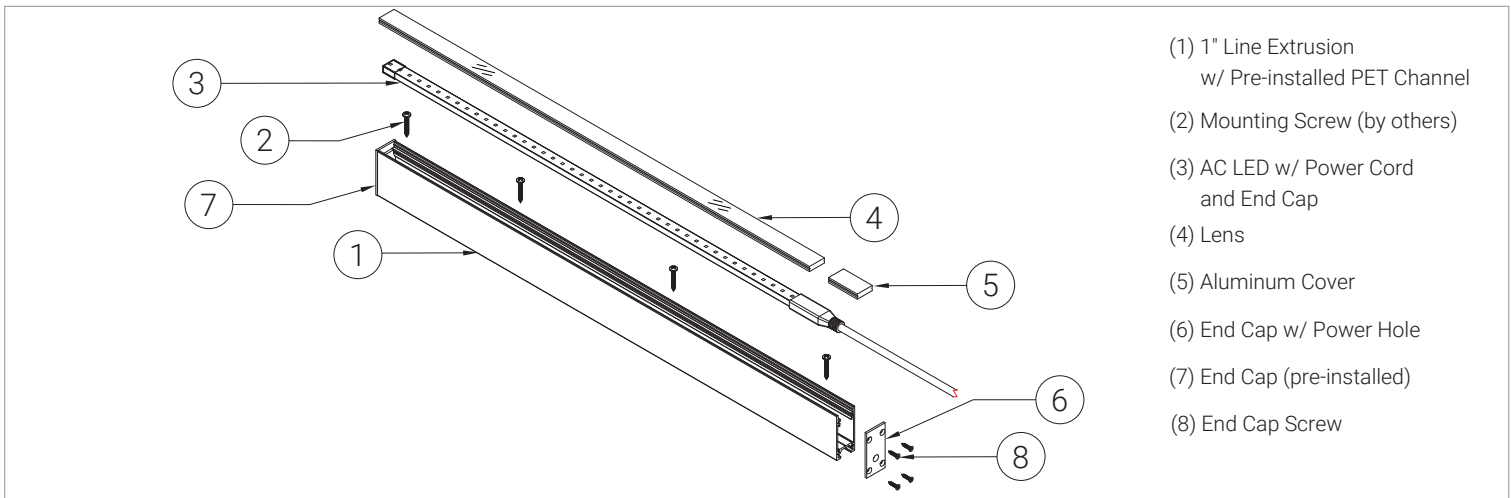
PACKAGE INCLUDES



ITEMS NEEDED (BY OTHERS)



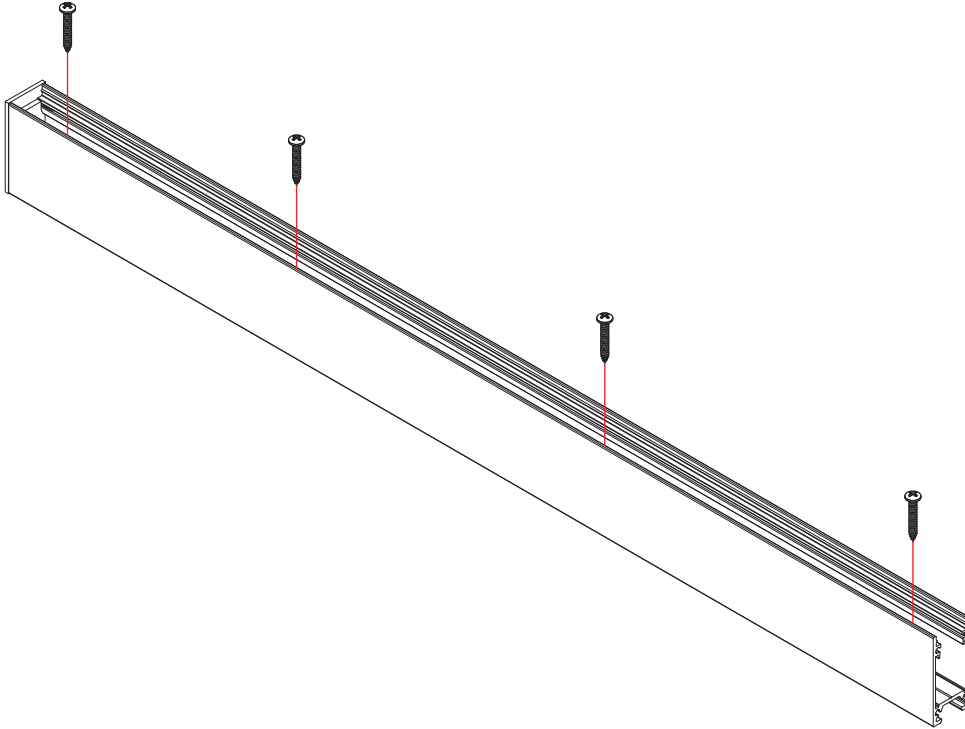
ISOMETRIC / EXPLODED VIEW



- (1) 1" Line Extrusion w/ Pre-installed PET Channel
- (2) Mounting Screw (by others)
- (3) AC LED w/ Power Cord and End Cap
- (4) Lens
- (5) Aluminum Cover
- (6) End Cap w/ Power Hole
- (7) End Cap (pre-installed)
- (8) End Cap Screw

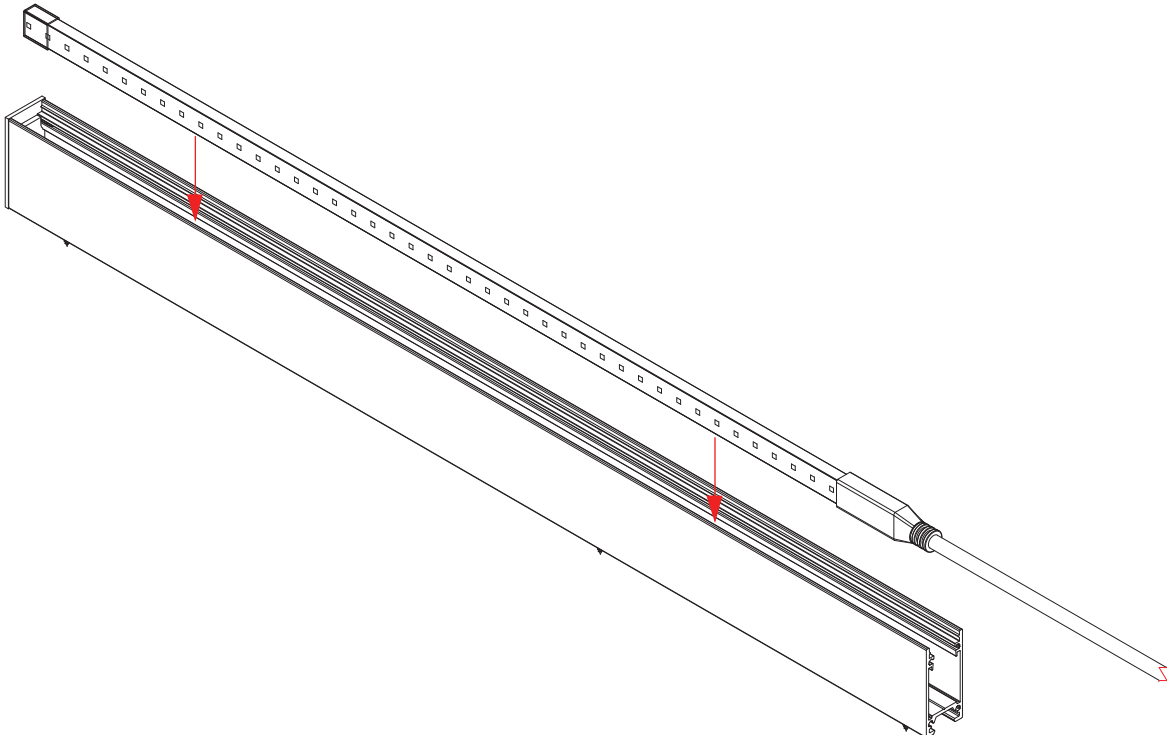
1 MOUNT HOUSING TO SURFACE

- MOUNT HOUSING TO SURFACE BY USING MOUNTING SCREWS (BY OTHERS).
- RECOMMENDED TO USE MOUNTING SCREWS BETWEEN PRE-INSTALLED PET CHANNEL, EVERY 12".



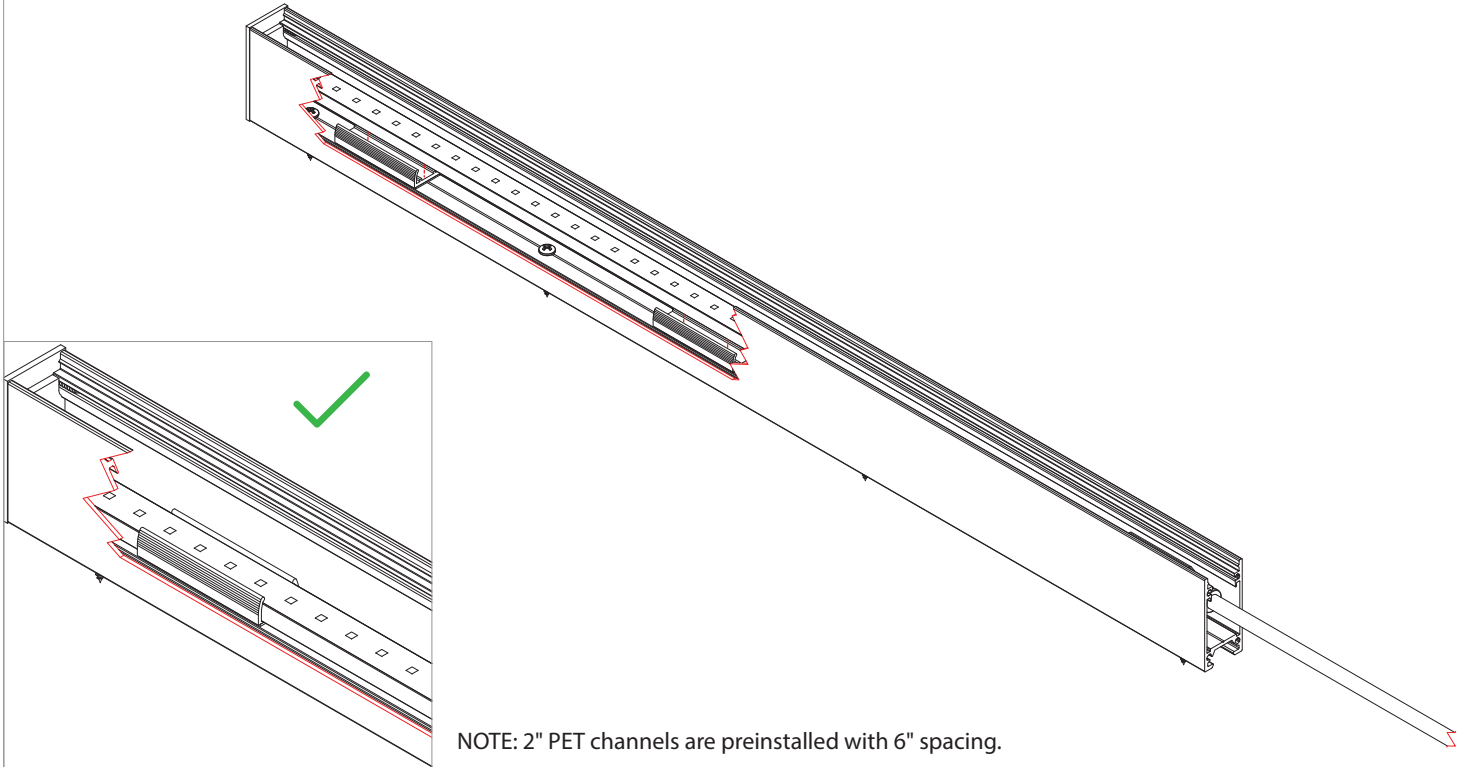
2 INSERT AC LED

- CAREFULLY INSERT AC LED SIDEWAYS TO FIT IN HOUSING CAVITY.



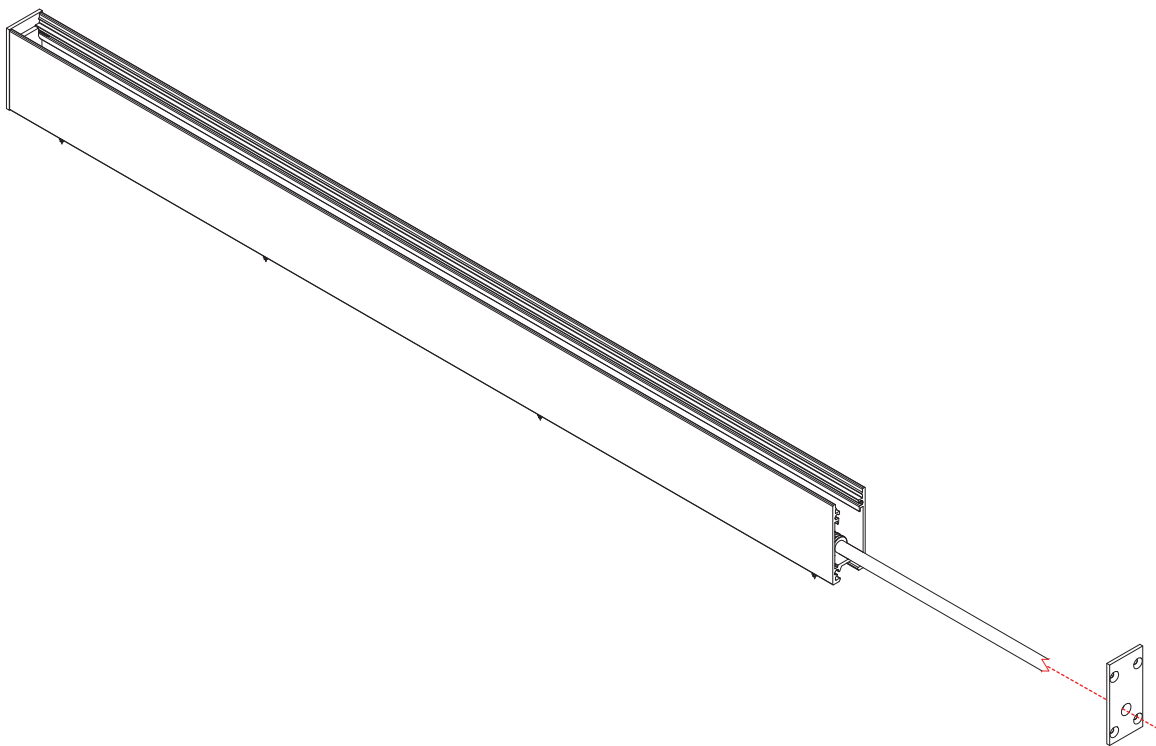
3 PUSH-FIT AC LED INTO PET CHANNEL(S)

- LAY AC LED HORIZONTAL.
- CAREFULLY PUSH-FIT AC LED INTO THE PET CHANNEL CAVITY.



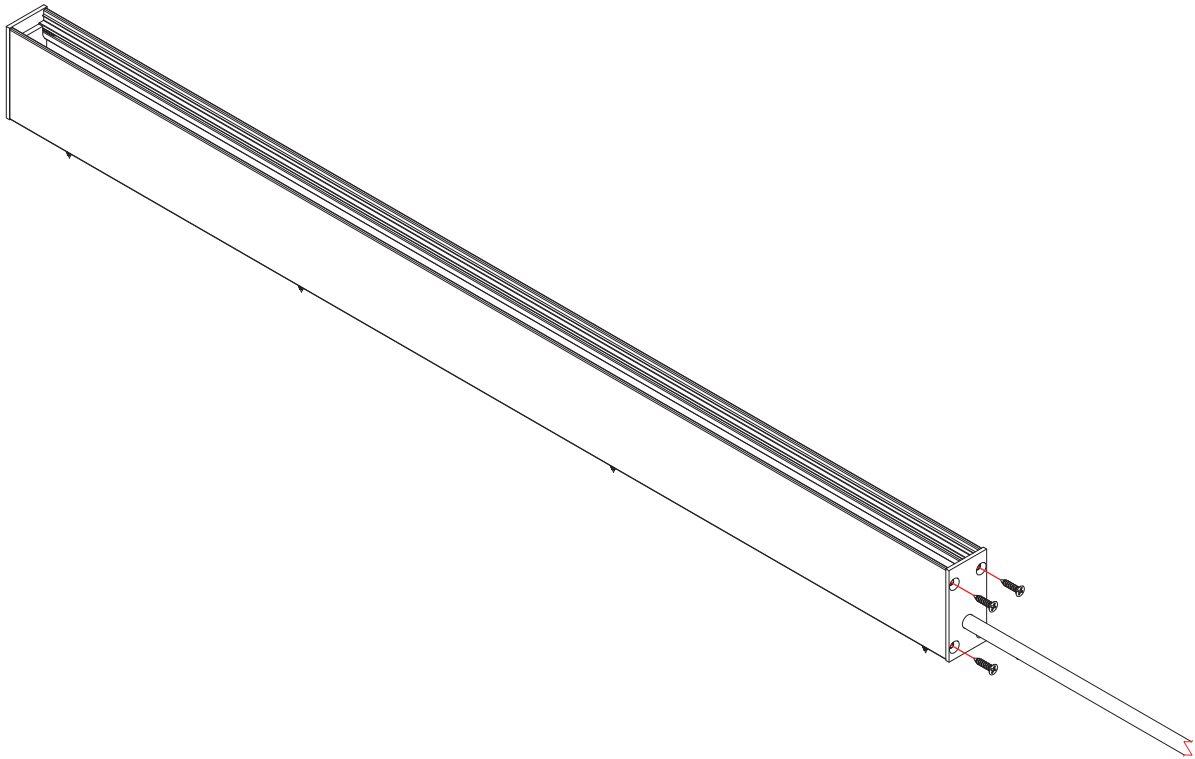
4 INSERT END CAP(S)

- INSERT THE POWER CORD THROUGH END CAP(S) WITH POWER HOLE BEFORE SECURING END CAP.



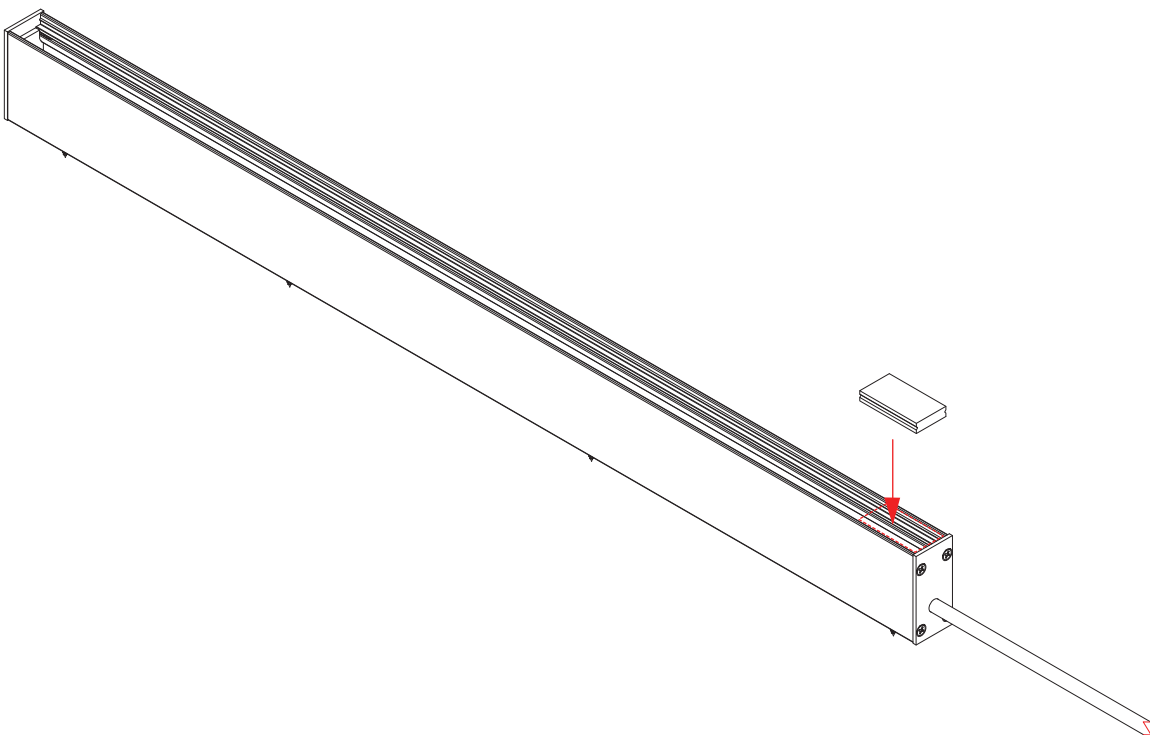
5 PUSH-FIT AC LED INTO PET CHANNEL(S)

- SECURE END CAP(S) WITH END CAP SCREW(S).



6 SNAP IN ALUMINUM COVER(S)

- ALIGN AND SNAP IN ALUMINUM COVER ON TOP OF THE AC LED CONNECTOR.



7 SNAP IN LENS.

· SNAP IN LENS ON FIXTURE HOUSING.

