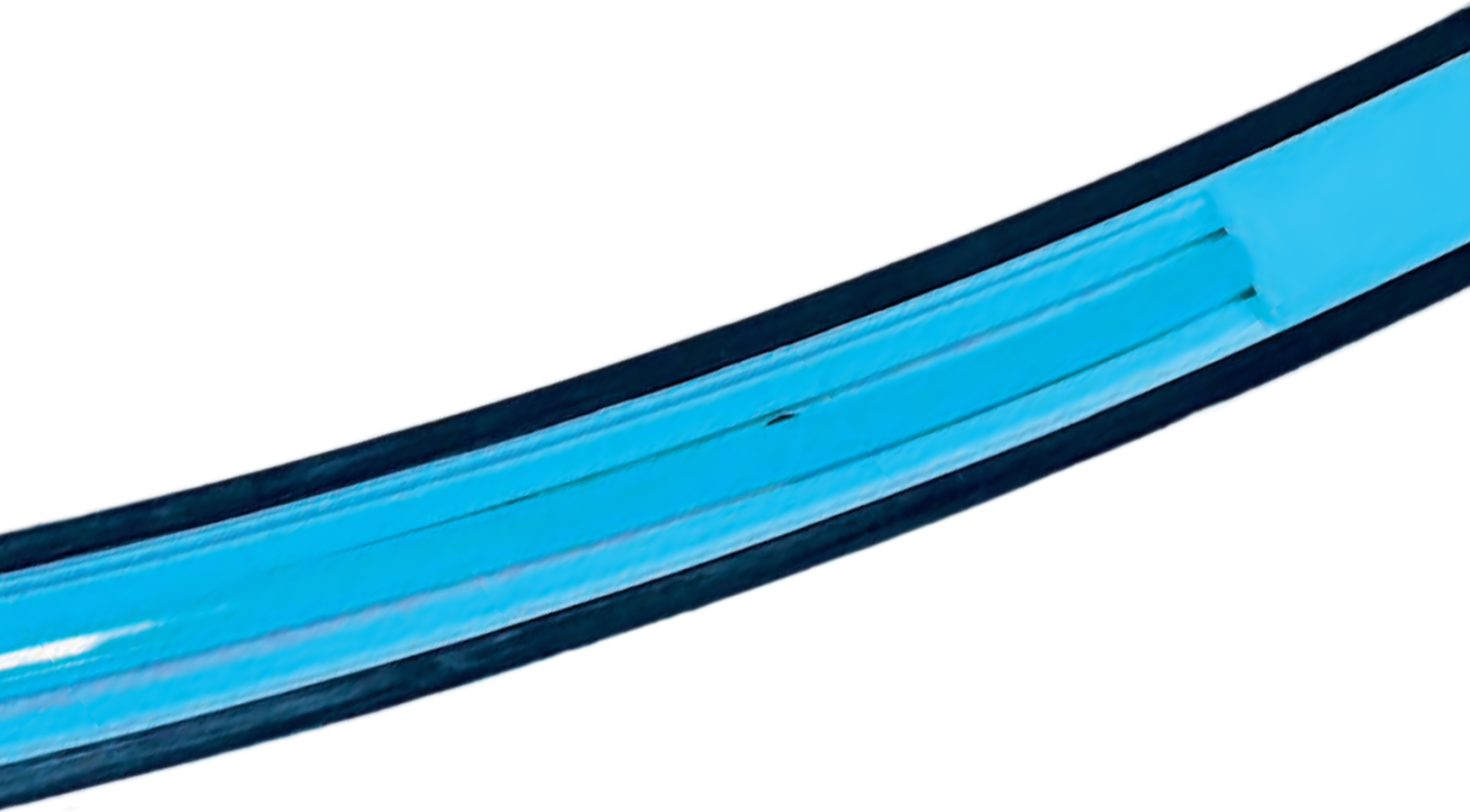


FORTACAST[®]

DRIVE-OVER INGROUND LIGHTING



ORGANIC LIGHTING[®]

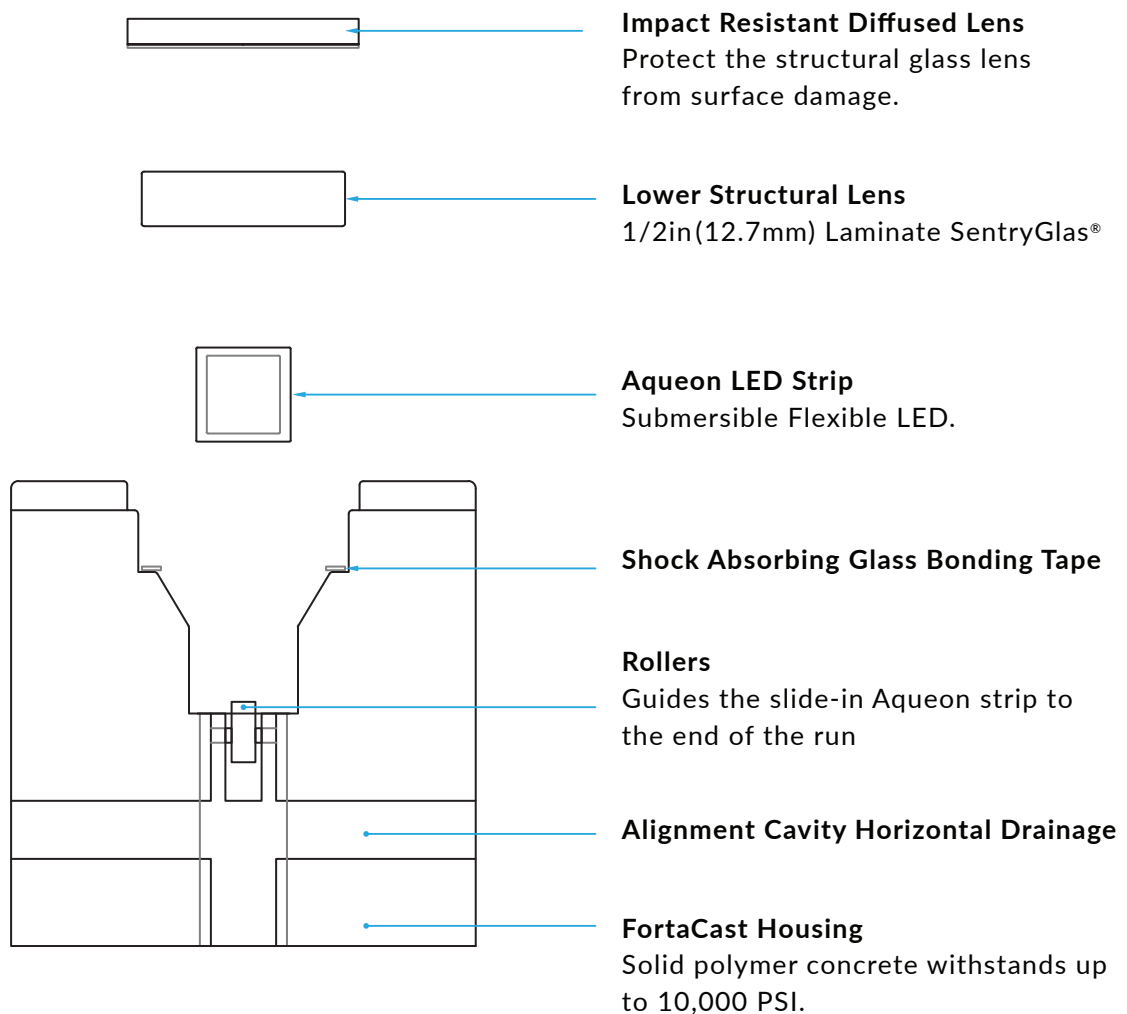


FortaCast is a modular drive-over lighting system with endless design possibilities.

Constructed of interlocking polymer concrete sections, self-supporting paver style units lock together to your design without the high cost of secondary housings. Replaceable lighting installs at one end and runs up to 90 feet (27 meters).

Inground Lighting, Reimagined

Simpler Installation. Easily Replaceable Lighting. 10,000lb Drive-Over.





City Tower, Orange CA, Interior Architects, Inc.



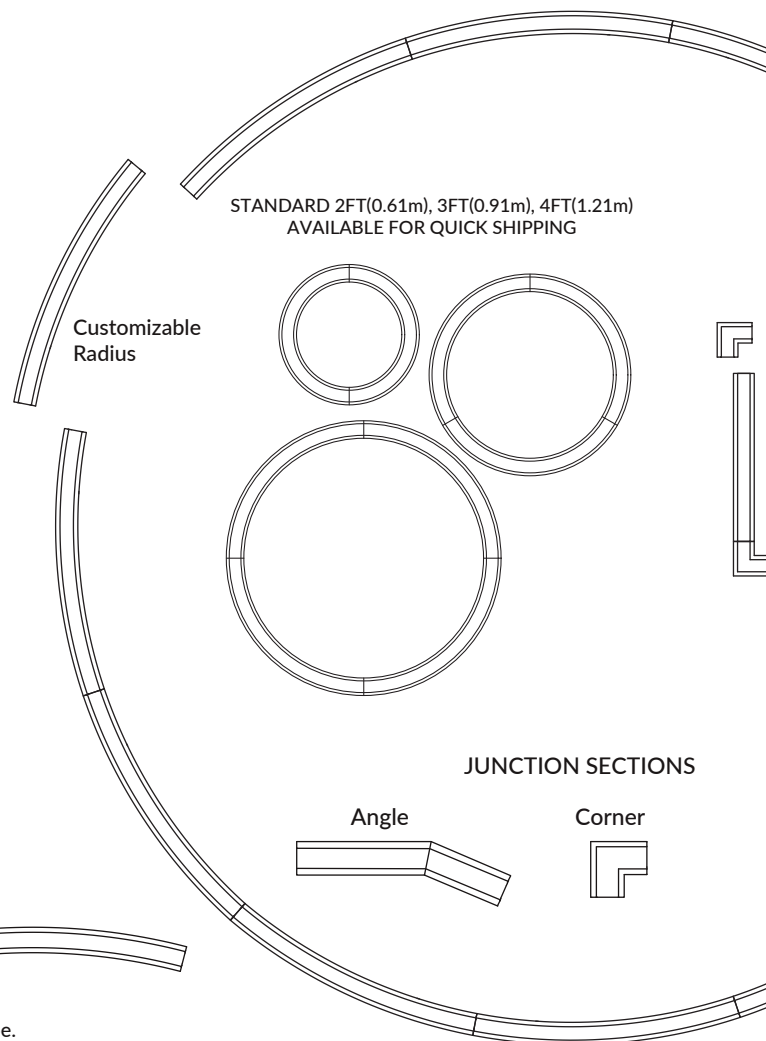
Leo A Daly Las Vegas, Design
Manica Architecture, Kansas City

The Building Blocks of FortaCast®

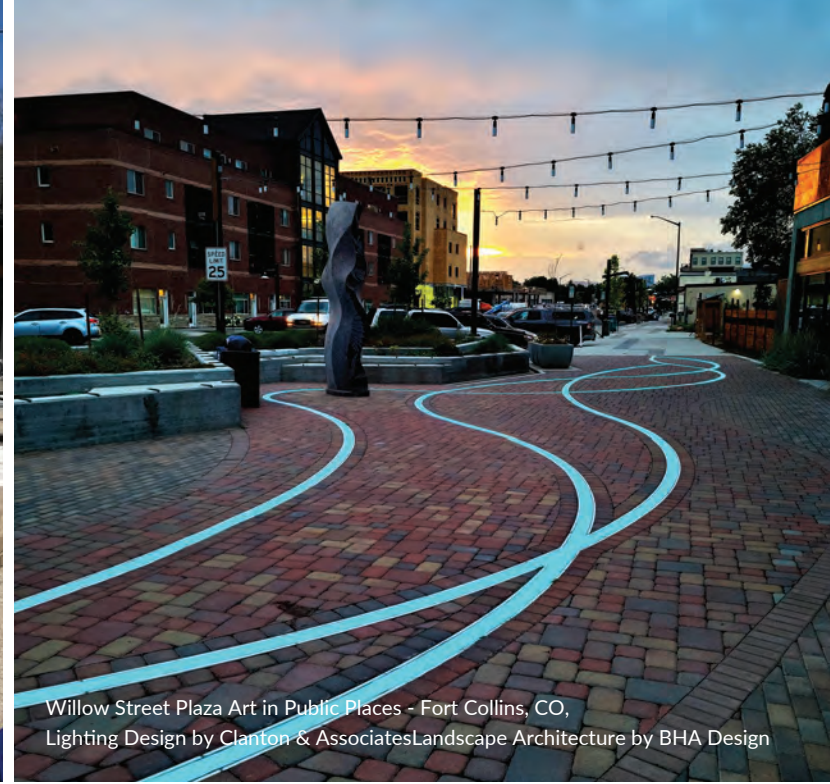
Limited only by the confines of the imagination, FortaCast® can be made into a multitude of shapes. Long continuous straight lines, circles, squares and curves in any combination. Customizable to your design.

The Big Picture

Combine standard sizes/shapes/radii for quick 4 week shipping or customize radii and shapes to create you own bulding blocks!



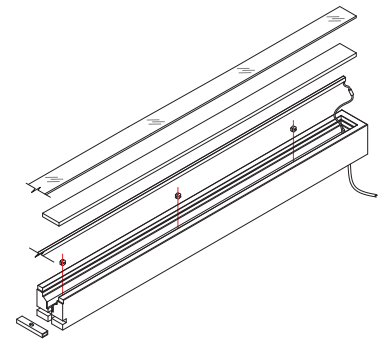
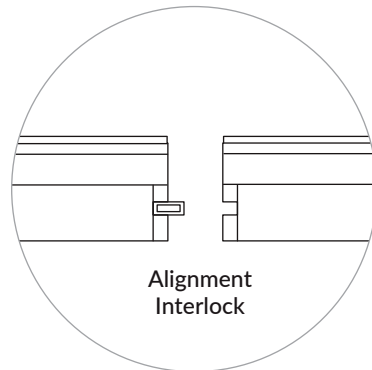
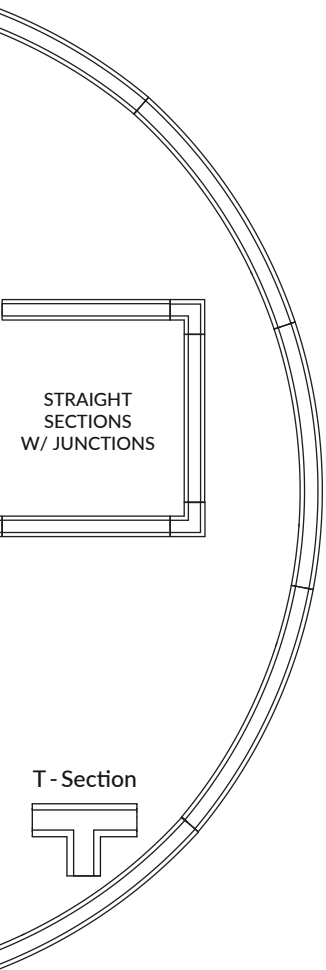
Example: Radius R284 fit end to end in opposing directions to create a ripple shape.



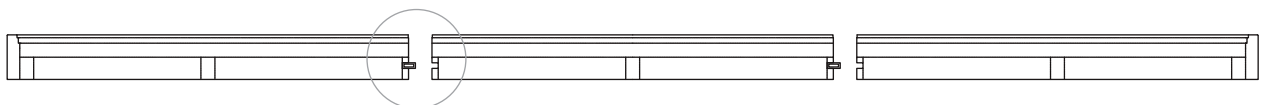
Willow Street Plaza Art in Public Places - Fort Collins, CO,
Lighting Design by Clanton & Associates Landscape Architecture by BHA Design

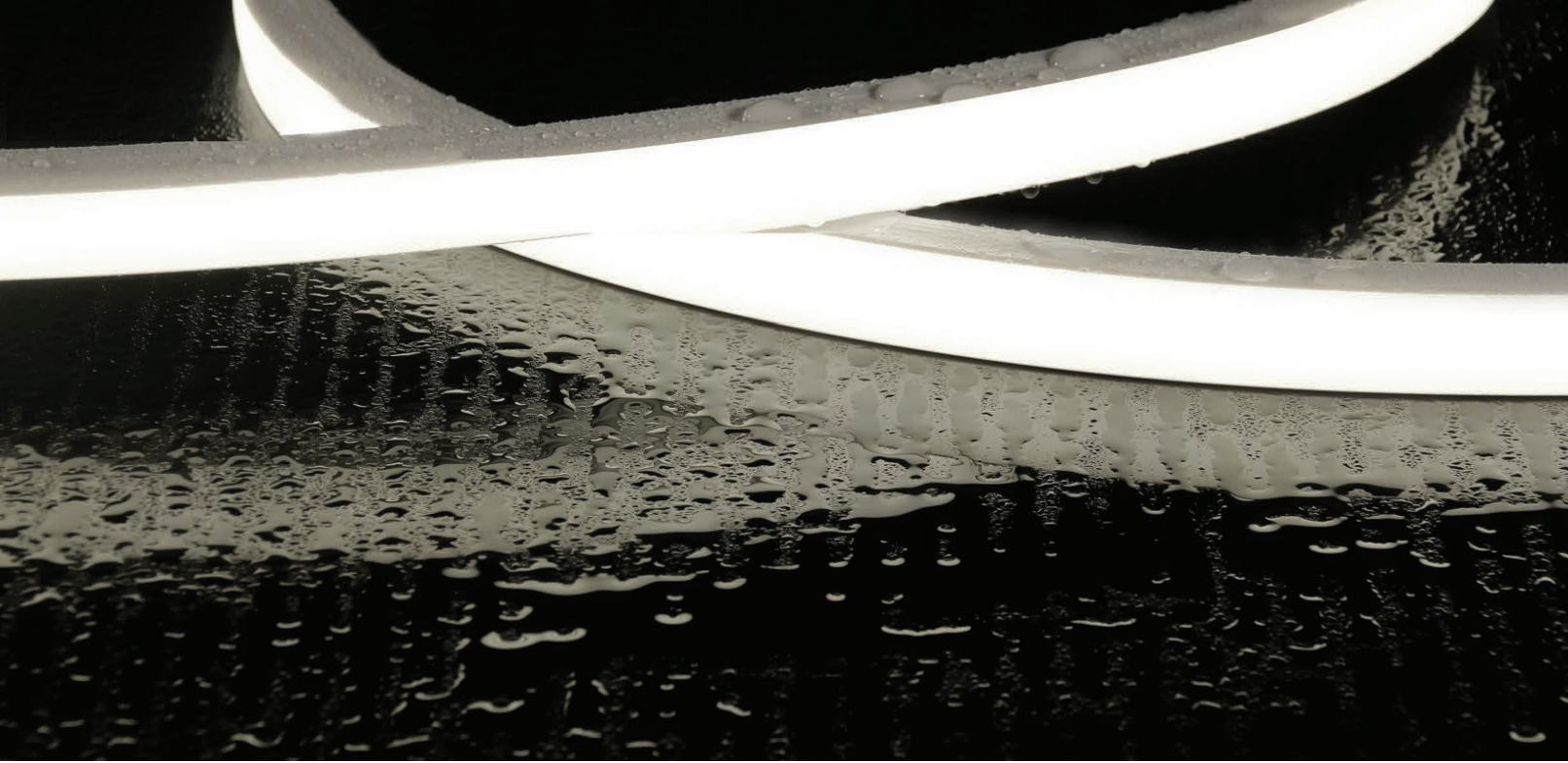
Contractor Friendly Installation

FortaCast® sections are set in place, connect and lock together. Numbered sections are delivered to site, ready for installation. After all construction and lenses are in place, the Aqueon® LED lighting is installed from one end of the run. Miniature rollers guide the LED strip to the end of the run. Simple!



- Interlocking sealing sections with inbuilt drainage.
- Self supporting-no secondary installation required





Aqueon® LED Inside

Submersible, flood proof, vibration proof, and capable of withstanding the harshest environments. Aqueon® is a new type of flexible light. Superior standards, new materials, new methods, military grade components and advanced circuit design.

Low energy: 1.83W/ft | RGBW 2.74W/ft (6W/m | RGBW 9W/m)

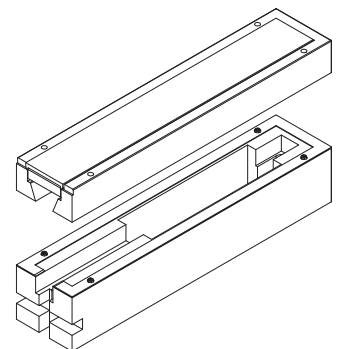
Aqueon® is flexible enough to slide into the FortaCast® from the beginning of the run where miniature rollers inside the channels guide the lighting strip to the end of the run.

Available in 27K, 30K, 35K, 40K, 57K, Amber, RGB, RGBW, Tunable White; DMX programmable, streaming digital pixel with remote low voltage DC power.

- Very low energy: 1.83W/ft | RGBW 2.74W/ft (6W/m | RGBW 9W/m).
- End to end continuous illumination.
- Lifetime up to 60,000 hours.

Easy to Maintain

After a long life of up to 60,000 hours, the Aqueon® LED is easy to replace. Simply slide out the LED strip through the LED Access Unit and slide in a new Aqueon® LED strip. It's as easy as changing a light bulb!



LED Access Unit



True Drive-Over Impact Resistant Technology

Encapsulated, diffused LEDs are flood and typhoon proof with IP68 submersible sealed LEDs. Walk-over and drive-over applications support up to 10,000 PSI. Suitable for high traffic roadways.

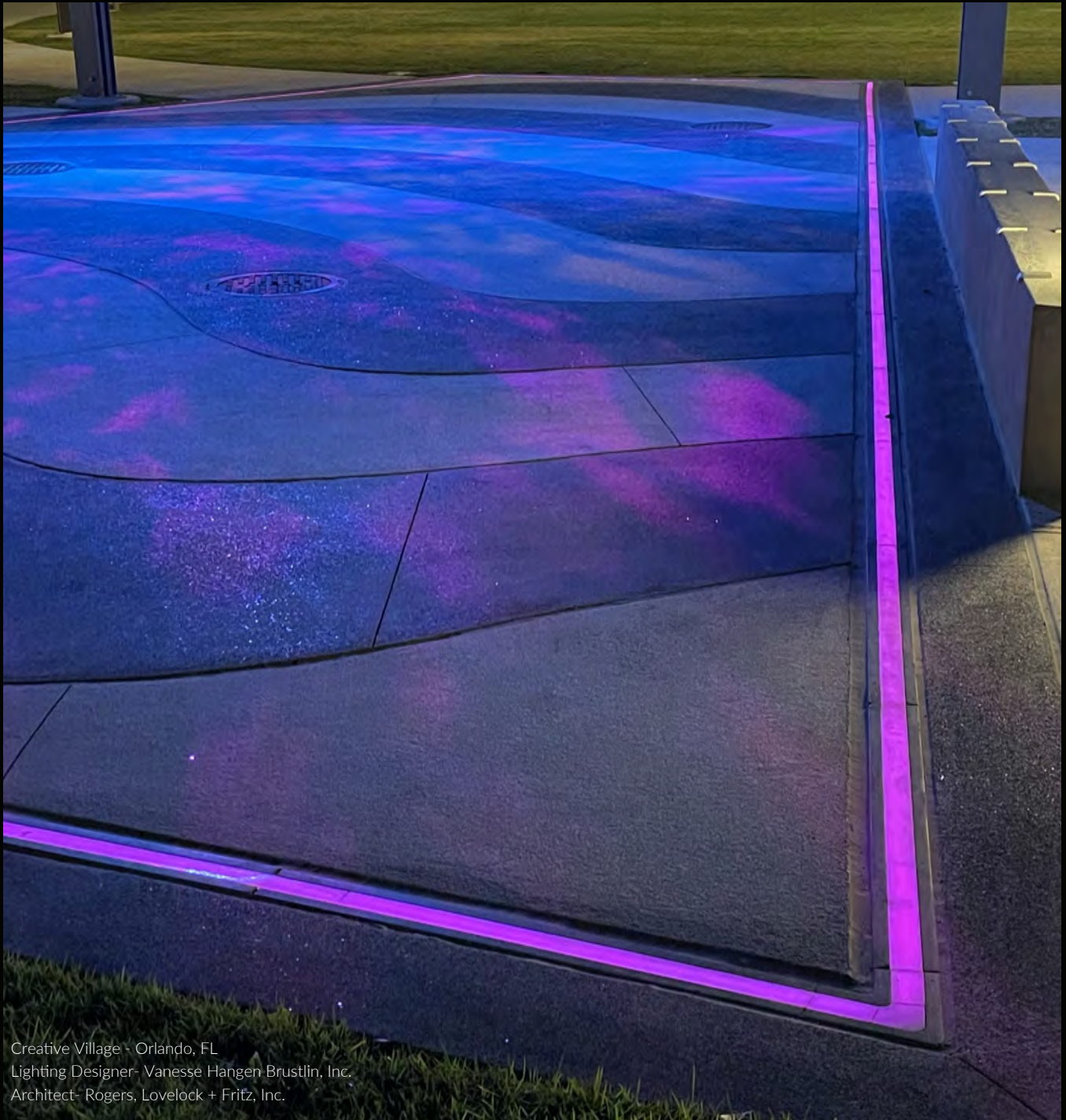


Built to Last

Precision cast structural sections lock in place, becoming part of the surrounding surface. Structural laminated glass with anti-vibration cushioned sealing and a protective impact resistant upper lens seals the structure. Encapsulated, diffused LEDs, are submersible, chemical resistant and replaceable. Drive-over applications support up to 10,000 PSI. Suitable for high traffic roadways. FortCast solves all the problems of earlier drive-over lighting products.

	FORTACAST	Traditional Inground
Interior & Exterior Compatible	✓	✓
Customizable Design	✓	X
Easy Maintenance	✓	X
Simple Installation	✓	X
Environmentally Sustainable	✓	X
Supports 10,000 PSI	✓	X
IP68 Submersible	✓	X





Creative Village - Orlando, FL
Lighting Designer- Vanesse Hangen Brustlin, Inc.
Architect- Rogers, Lovelock + Fritz, Inc.

Front Page:
Culture Kings Flagship Store | Caesar's Palace Forum, Las Vegas, NV
Lighting Design - LDA Los Angeles
Architect - BunnyFish Studio
Contractor - Shawmut design and Construction.

ORGANIC LIGHTING®

12203 Magnolia Avenue, Suite 1
Riverside, CA 92503
US: 626 969 6140
UK: +44 7989 564377
sales@organiclighting.com
06.2024 V15



FORTACAST®

US Patent #11,644,163B2 | Worldwide Patents Pending.