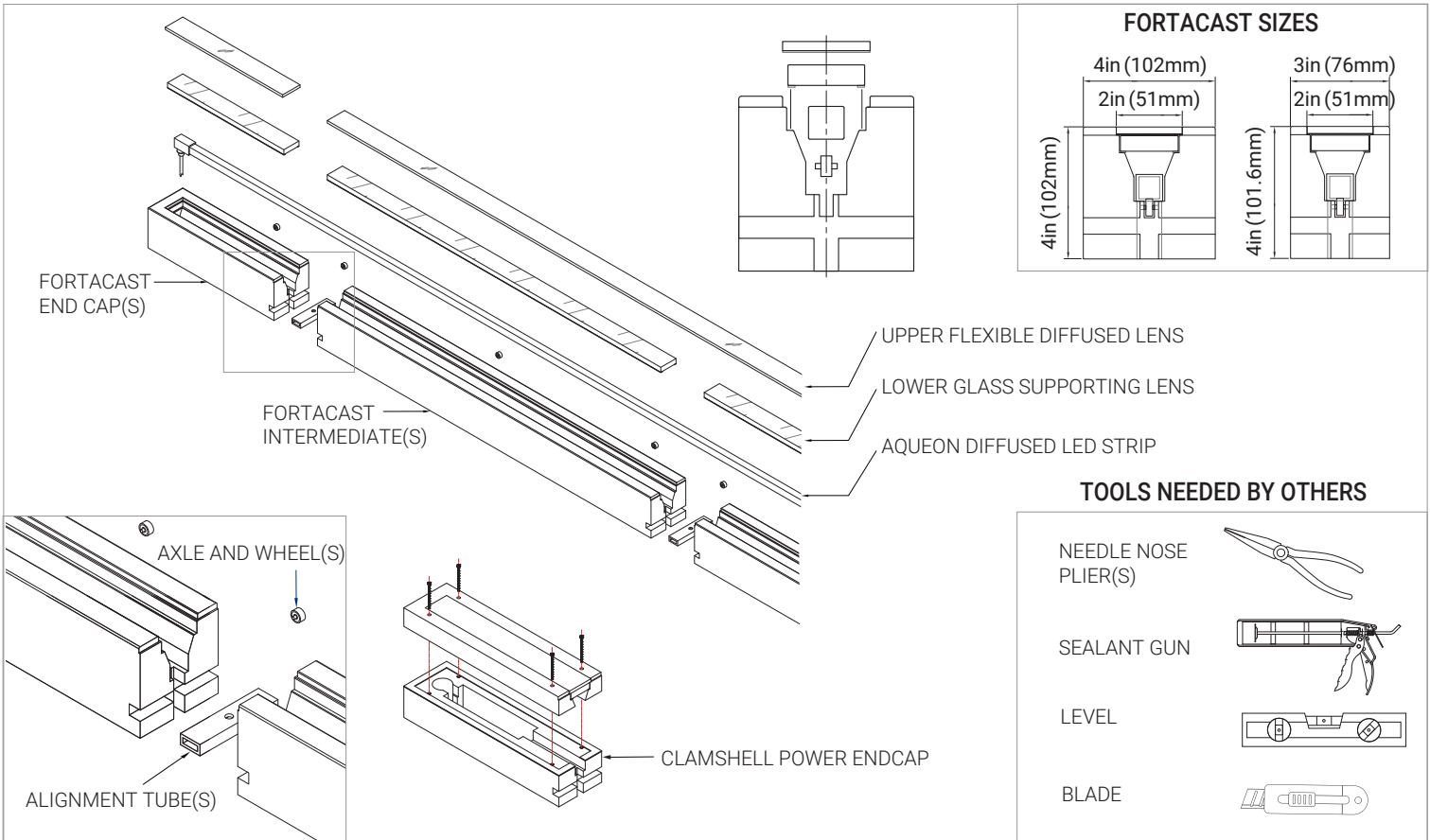


**TYPICAL INSTALLATION - PROJECTS MAY OR MAY NOT INCLUDE SOME COMPONENTS SPECIFIC TO THE PROJECT DESIGN.**

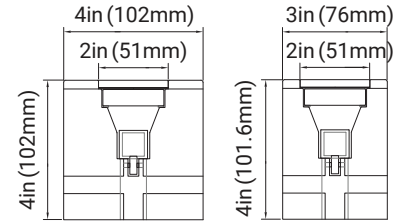


**WARNING!**

- READ THE ENTIRE PROVIDED INSTRUCTIONS PRIOR TO INSTALLING.
- INSTALLATION SHOULD BE CARRIED OUT BY QUALIFIED INSTALLERS FULLY EXPERIENCED IN SETTING PAVEMENT MATERIALS AS WELL AS AN ELECTRICAL CONTRACTOR
- THE INSTALLER HAS THE FINAL RESPONSIBILITY FOR THE GROUND STRUCTURE AND PROPER DRAINAGE OF THE PRECAST(S).
- A MINIMUM OF 2 PEOPLE REQUIRED WHEN INSTALLING LONG LENGTH FIXTURES.



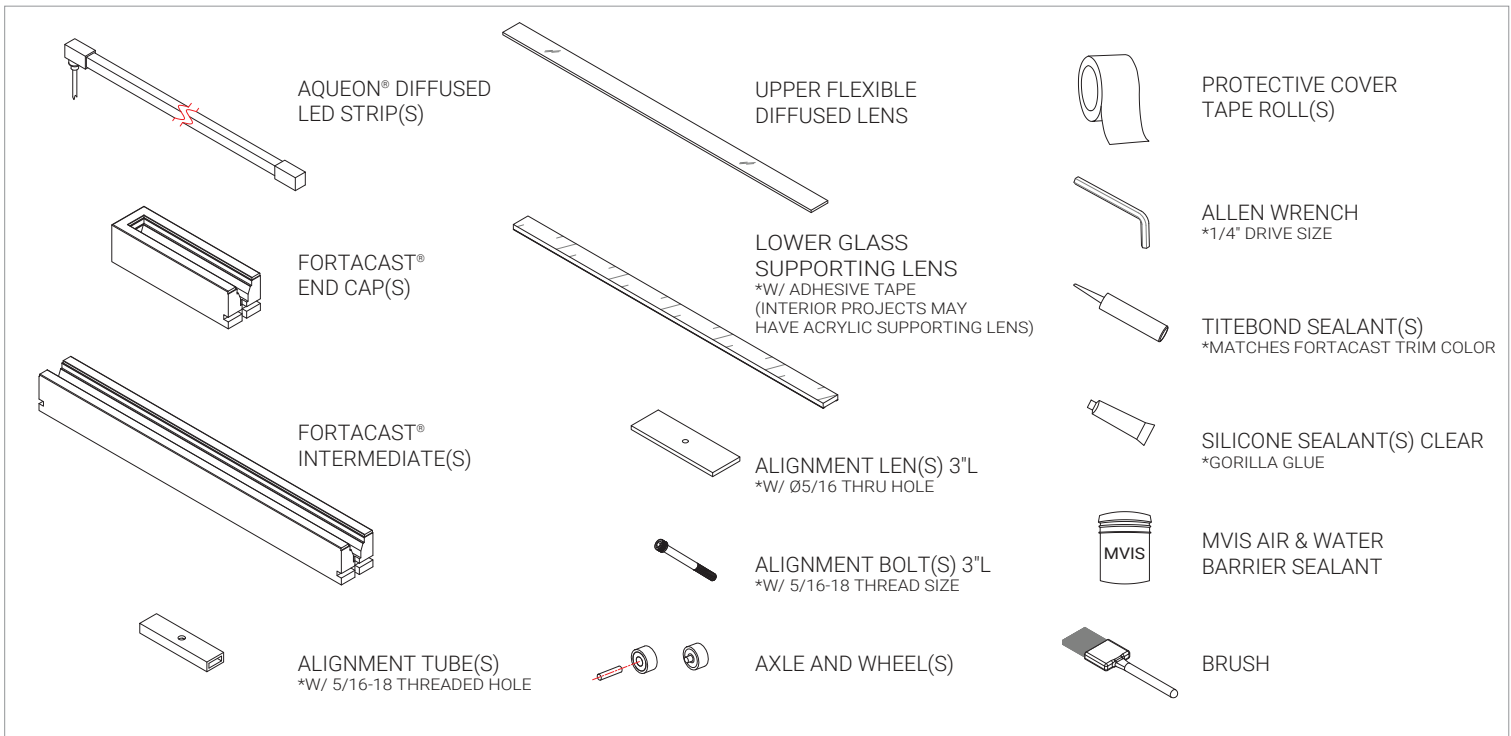
**FORTACAST SIZES**



**TOOLS NEEDED BY OTHERS**

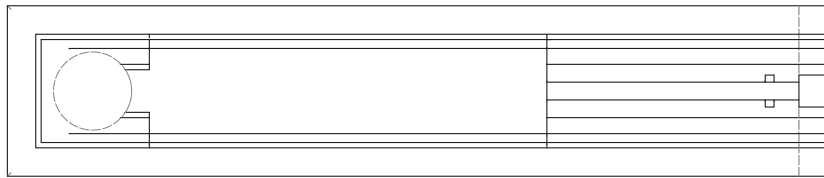
- NEEDLE NOSE PLIER(S)
- SEALANT GUN
- LEVEL
- BLADE

**PACKAGE MAY INCLUDE**

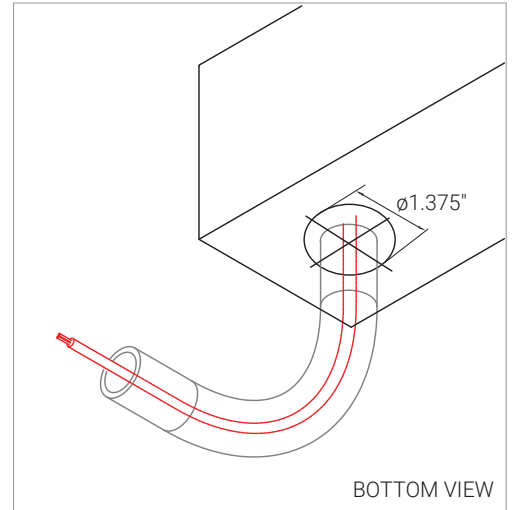


## 1 SET THE FIRST FORTACAST SECTION INTO PLACE

- SET THE FIRST FORTACAST SECTION INTO PLACE (USUALLY-POWER LOCATION/END CAP).
- ½" CONDUIT MUST STUB INTO THE  $\phi 1.375"$  THRU HOLE UNDER FORTACAST FOR POWER.



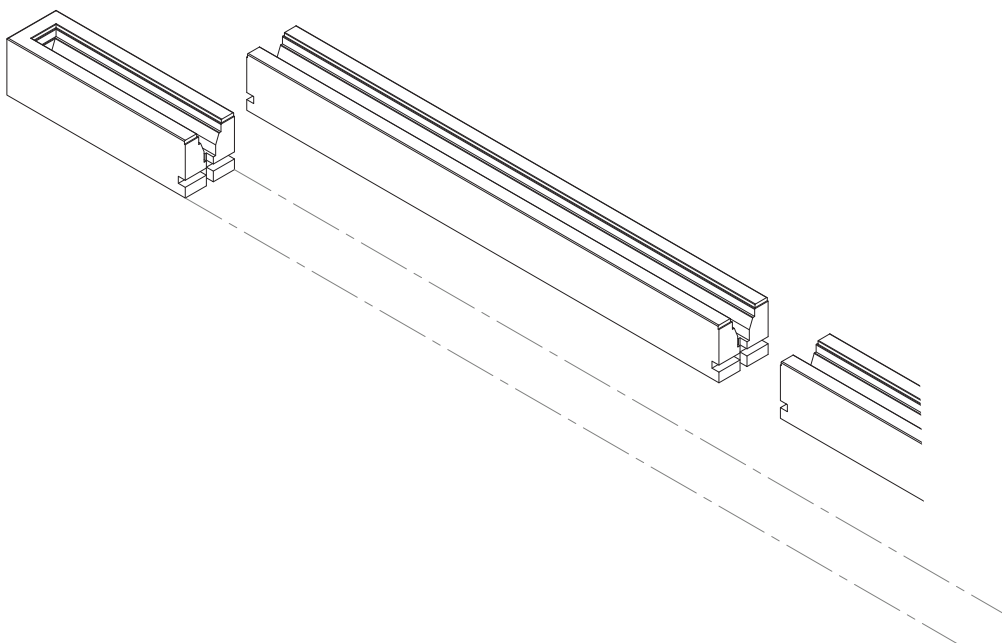
TOP VIEW



BOTTOM VIEW

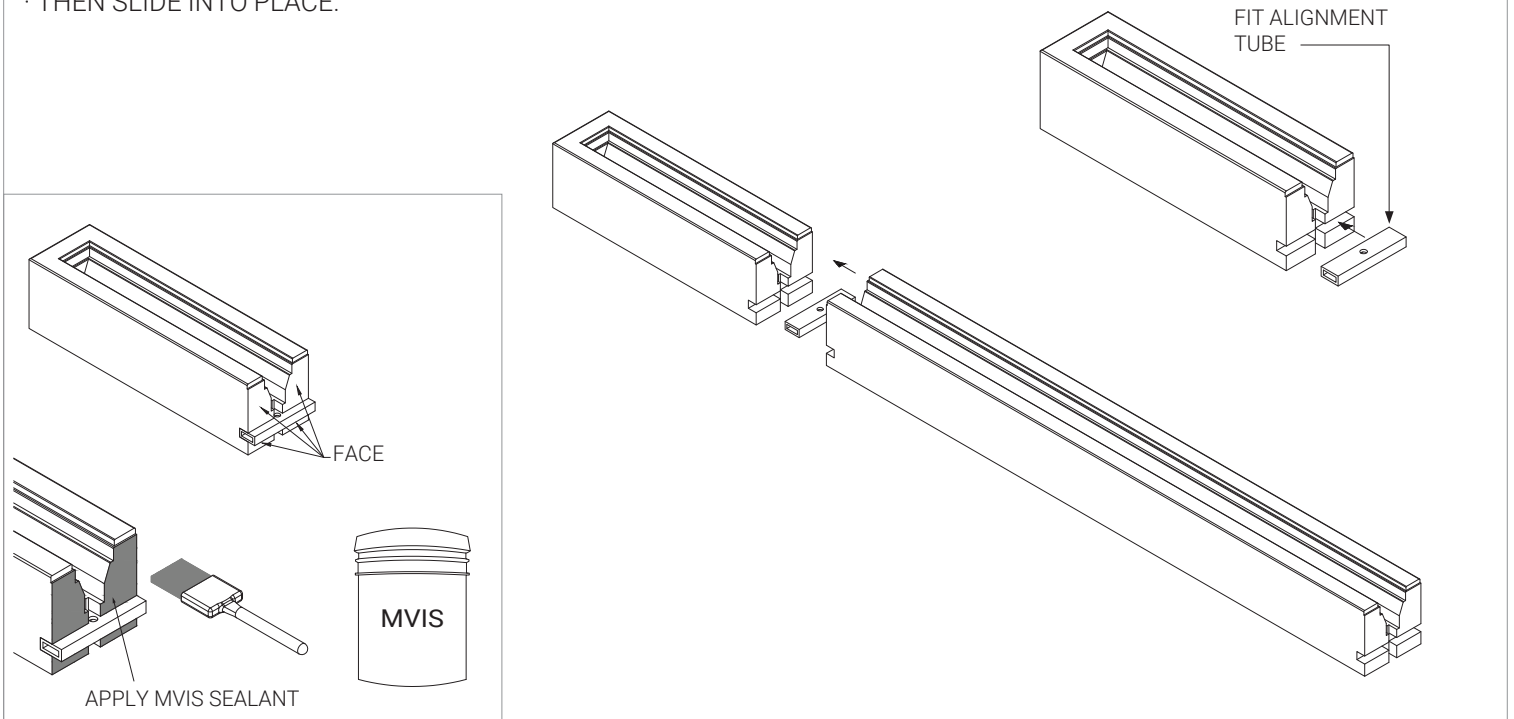
## 2 LAY OUT ALL CONNECTING SECTION(S)

- LAY OUT ALL THE CONNECTING SECTIONS OF THE STRAIGHT LINE TO ONE SIDE OF THEIR FINAL LOCATION OR IN ITS PROPOSED PLACE TO CHECK LAYOUT.



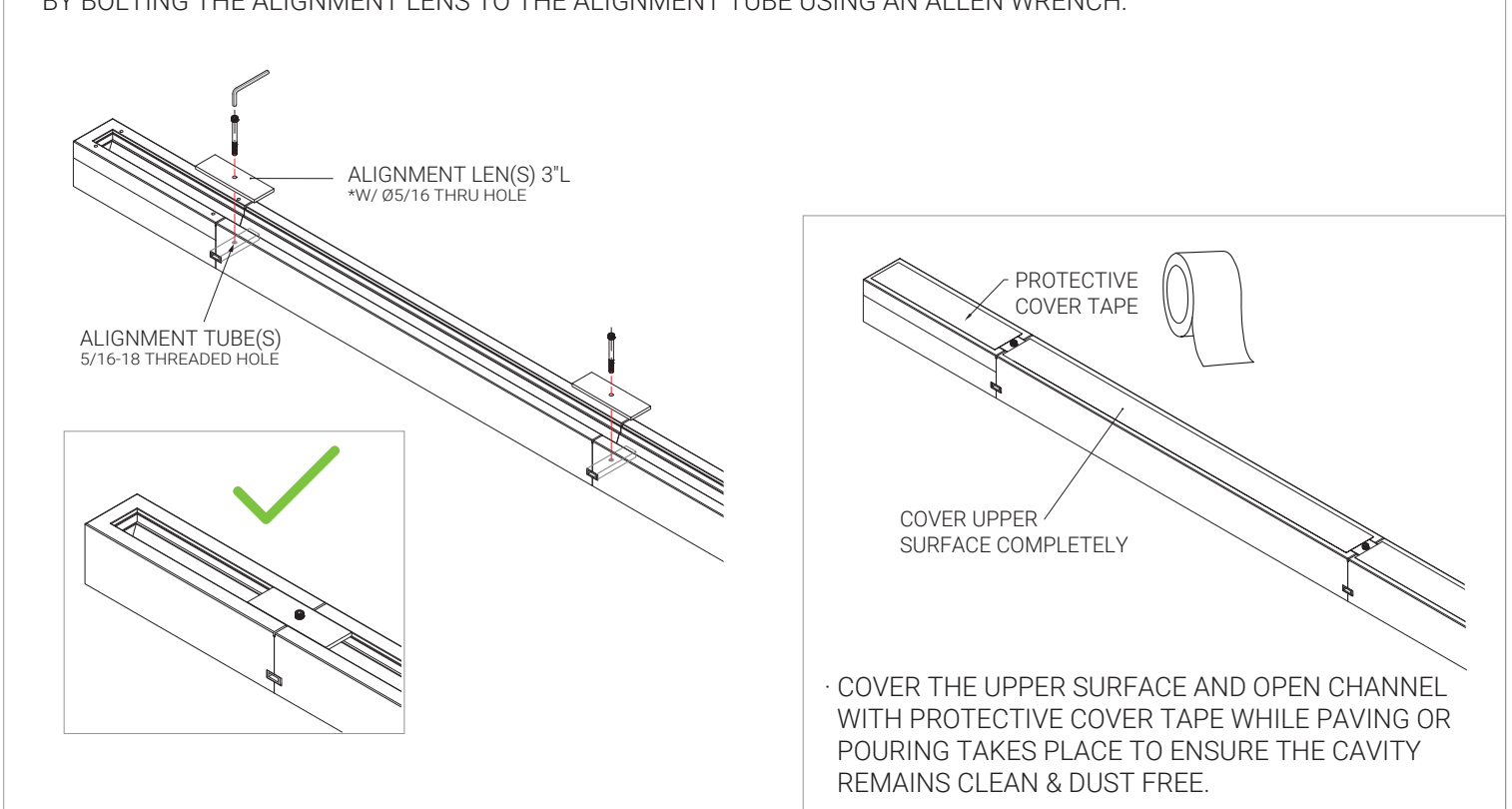
### 3 INSERT ALIGNMENT TUBE & APPLY LATICRETE MVIS SEALANT

- INSERT THE ALIGNMENT TUBE TO LEVEL THE FORTACAST SECTIONS.
- MAKE SURE FORTACAST SECTION FACE IS DRY, CLEAN, AND DUST FREE. THEN APPLY **LATICRETE MVIS SEALANT** TO BOTH FACES OF THE CONNECTING SECTIONS USING A BRUSH.
- THEN SLIDE INTO PLACE.



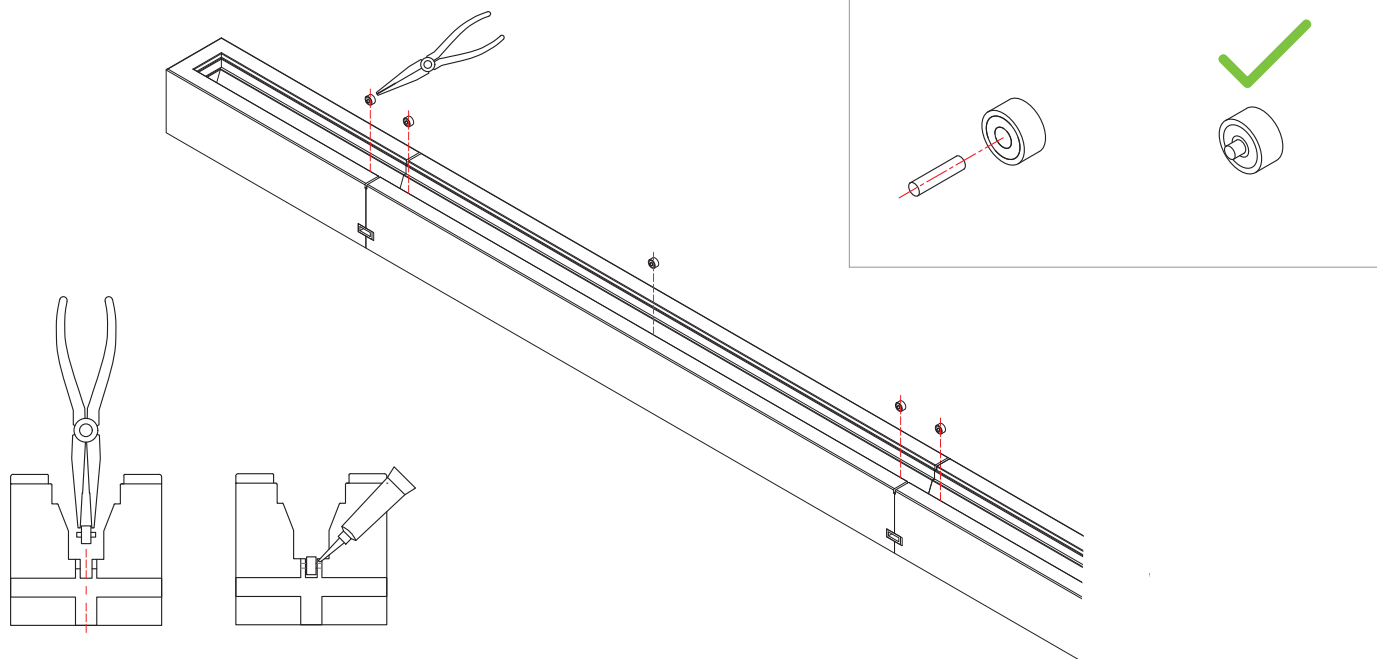
### 4 INSTALL ALIGNMENT LENSES

- INSERT SHORT ACRYLIC ALIGNMENT LENSES ACROSS SECTION JOINTS TO HELP ACCURATELY ALIGN FIXTURES BY BOLTING THE ALIGNMENT LENS TO THE ALIGNMENT TUBE USING AN ALLEN WRENCH.



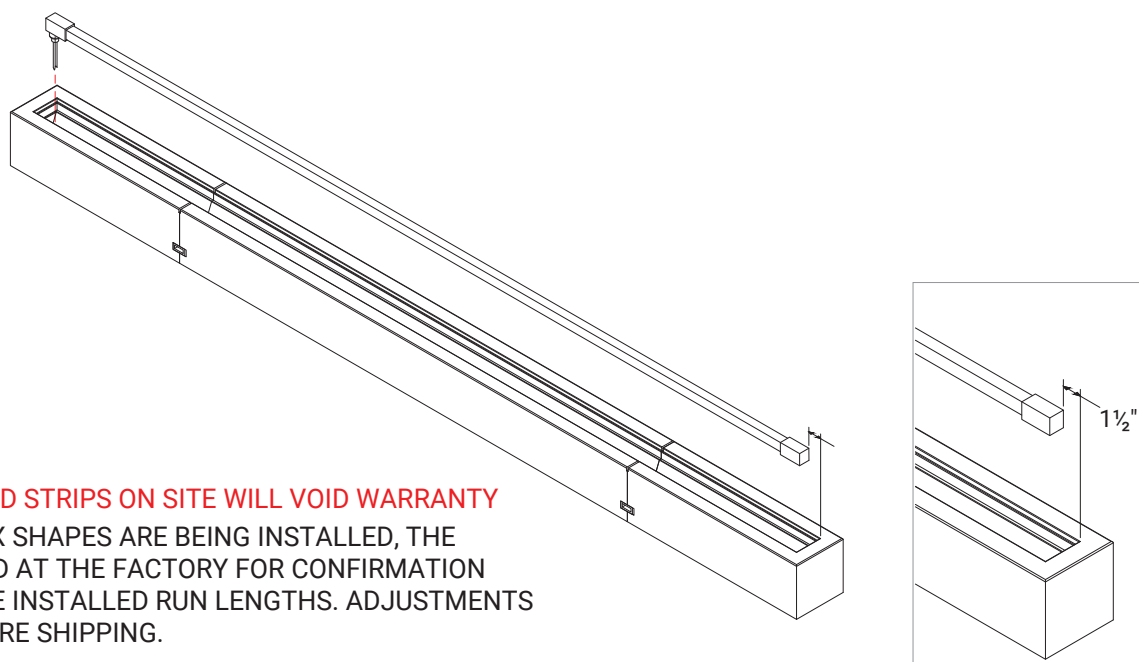
## 5 PLACE AXLE(S) IN THE WHEEL(S)

- PLACE AXLE(S) IN THE WHEEL(S), THEN PLACE WITHIN THE CAVITIES ALONG THE BOTTOM OF THE FORTACAST CHANNEL USING A NEEDLE NOSE PLIER.
  - PLACE A SMALL AMOUNT OF **CLEAR SILICONE** ON THE TOP OF THE AXLE SO IT ADHERES TO THE FORTACAST.
- CAUTION: THE SILICONE BEAD MUST NOT EXCEED THE HEIGHT OF THE AXLE CAVITY!**



## 6 LAY OUT AQUEON LED STRIP(S) - ENSURE CORRECT LENGTHS

- LAY OUT THE AQUEON LED STRIP(S) TO THE FULL LENGTH OF THE FORTACAST RUN, AND CHECK THAT IT FITS WITHIN 1½" ON EACH END. IF THE STRIPS ARE TOO LONG, THEY MUST BE RETURNED TO ORGANIC LIGHTING® TO BE CUT AND RESEALED.
- IF THE STRIP(S) ARE TOO SHORT, (THEY MUST ACCURATELY MEASURE THE FULL LENGTH OF THE RUN) REORDER THE STRIPS TO THE APPROPRIATE LENGTHS.
- IF THEY ARE THE CORRECT SIZE, THEN INSTALL LED STRIP IN CHANNEL.



**WARNING: CUTTING LED STRIPS ON SITE WILL VOID WARRANTY**

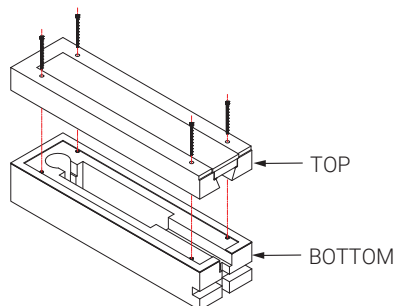
NOTE: WHEN COMPLEX SHAPES ARE BEING INSTALLED, THE AQUEON® MAY BE HELD AT THE FACTORY FOR CONFIRMATION FROM THE SITE OF THE INSTALLED RUN LENGTHS. ADJUSTMENTS ARE TO BE MADE BEFORE SHIPPING.

## 7 INSTALL LOWER GLASS LENSES

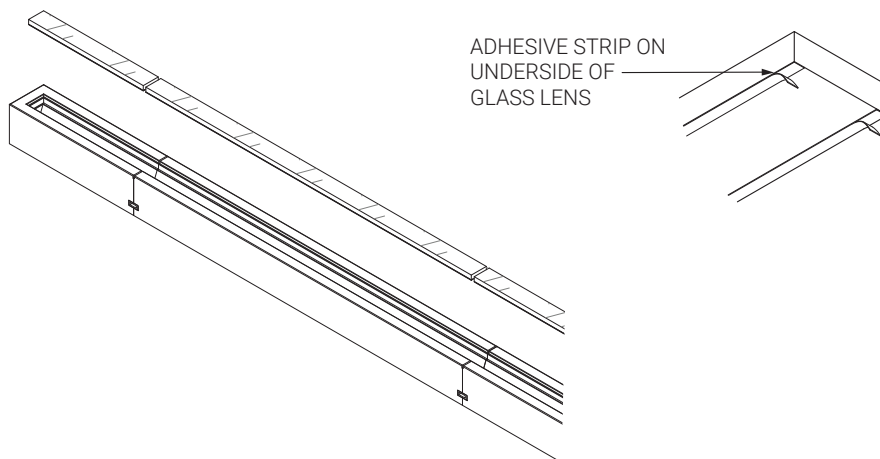
\*INSTALL LOWER GLASS LENS(ES) PERMANENTLY EXCEPT FOR THE POWER ENTRY LENS, WHICH SHOULD BE PLACED IN THE POWER ENTRY ENDCAP WITHOUT REMOVING THE ADHESIVE BACKING UNTIL THE FULL INSTALLATION IS COMPLETE AND TESTED.

- TAKE OFF THE ADHESIVE BACKING OF THE ACRYLIC ADHESIVE TAPES ON THE LAMINATED GLASS LENS.
- **DO (1) GLASS LENS AT A TIME!**
- EACH GLASS LENS SHOULD ALIGN WITH THE FORTACAST SECTION

### CLAMSHELL POWER ENDCAP ONLY



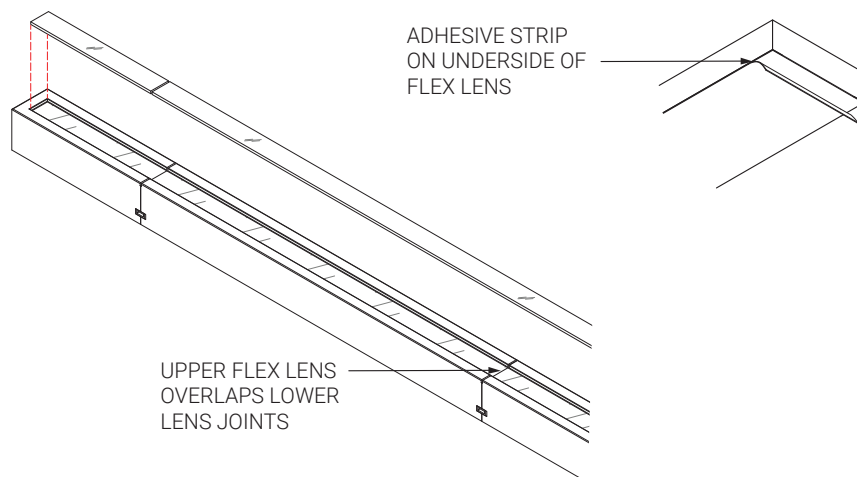
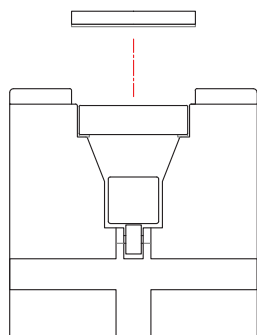
LENSES ON CLAMSHELL POWER ENDCAPS ARE ALREADY PRE-INSTALLED.



NOTE: ENSURE THAT THE FORTACAST FIXTURES AND LENS SHOULDERS ARE **CLEAN AND DRY** BEFORE SETTING INTO PLACE. (WIPE WITH ALCOHOL TO ENSURE ADHESION). CURES PERMANENTLY IN 24 HOURS.

## 8 INSTALL FLEX LENS(ES)

- **FOR EXTERIOR INSTALLS** - UPPER FLEX LENS MUST BE INSTALLED AT A LOCAL MEAN TEMPERATURE. (FOR EXAMPLE: CA, NV, AZ: 70°F OR IL, OH, NY: 50°F) DO NOT INSTALL AT HIGH TEMPERATURES.
- TEST UPPER FLEX LENSES FOR SIZE BEFORE REMOVING THE ADHESIVE BACKING.
- START AT THE POWER INPUT LOCATION USING THE SPECIAL LENS MARKED 'POWER'.
- UPPER LENSES SHOULD ALWAYS COVER THE LOWER LENS & FIXTURE SECTION JOINTS (AT LEAST BY 1").
- AFTER CHECKING THAT ALL LENSES COVER JOINTS, YOU ARE READY TO PEEL OFF BACKING AND INSTALL! ONCE INSTALLED, THE LENSES ARE PERMANENT!
- **MUST DO ONE LENS AT A TIME!** GO SLOW AND BUTT THEM TOGETHER, LEAVING NO GAPS.
- ON THE LAST FLEX LENS, IF IT IS TOO LONG, DO NOT REMOVE THE ADHESIVE BACKING. USE A T-SQUARE OR RULER TO MARK THE CUT (CUT MUST BE STRAIGHT) AND CUT CAREFULLY WITH A SHARP BLADE.



**9 SEAL AND BOND LEVELING GAP**

- LASTLY, SEAL AND BOND THE ¼" GAP BETWEEN EACH FORTACAST WITH **TITEBOND SEALANT** USING THE SEALANT GUN.
- \* SEALANT WILL MATCH FORTACAST TRIM COLOR.
- \*FINALLY, CLEAN ANY EXCESS SEALANT OR DIRT ON THE FORTACAST AND WIPE THE UPPER FLEX LENSES WITH A DAMP TOWEL.

