

# 3-IN-1 DIMMING DRIVERS

## 20W-300W 120-277V AC

Constant Voltage



Efficiency	> 84%
Power Factor	> 0.90
Case TC	90C° Max.
Protection	Input / Output
Storage	-30°C / +90°C
Humidity	95% RH Max.
IP Rating	IP67
Class	Class 2 Power Supply
Dimming	TRIAC/ELV/0-10V
Constant Voltage	24V

### FEATURES

- High performance LED driver
- Universal Input Voltage: 120-277V AC
- Universal dimming with ELV, Triac, 0-10V & 1-10V dimmers 100-1%
- Flicker free dimming
- Aluminum casing for optimal heat dissipation
- Isolated output power per NEC and UL safety requirements
- UL & ETL recognized/ listed, meets UL 8750, 1310 requirements
- Auto-reset; short circuit, overload and thermal protection
- Class 2 power supply
- Efficient, High Power factor > 0.90
- Exceeds California Title 24 Requirements, AAA rating

### POWER SUPPLIES - 24V

Forward Phase, Reverse Phase, & 0-10V Dimming Drivers. Remote enclosures available.

Part #	Ingress	Voltage	Wattage	Dimensions (inches)	Description
045001	IP67	100-305V	20W	7.6 x 1.18 x 0.79	Dimmable LED Driver
045002	IP67	100-305V	40W	5.5 x 1.6 x 1.87	Dimmable LED Driver
045003	IP67	120-277V	60W	6.3 x 2.2 x 1.5	Dimmable LED Driver
045004	IP66	120-277V	75W	6.3 x 2.2 x 1.5	Dimmable LED Driver
045005	IP67	120-277V	96W	7.6 x 2.2 x 1.5	Dimmable LED Driver
045006	IP67	120-277V	200W	10.1 x 3.03 x 1.8	Dimmable LED Driver
045007	IP67	120-277V	300W	11.9 x 3.03 x 1.8	Dimmable LED Driver

### ENCLOSURES

Part #	Ingress	Dimensions (inches)	Description
045008	IP67	9.4 x 2.6 x 1.9	20W Enclosure
045009	IP67	11.02 x 4.1 x 2.2	40W Enclosure
045010	IP67	11.02 x 4.1 x 2.2	60W Enclosure
045011	IP66	11.02 x 4.1 x 2.2	75W Enclosure
045012	IP67	11.02 x 4.1 x 2.2	96W Enclosure
045013	IP67	16.7 x 9.8 x 2.3	200W Enclosure
045014	IP67	16.7 x 9.8 x 2.3	300W Enclosure

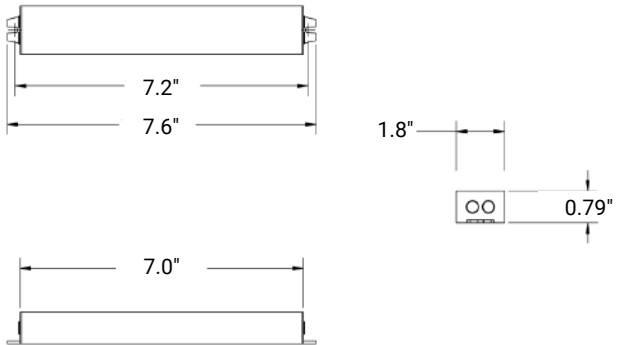


\* Specifications sheets are subject to change without notification.

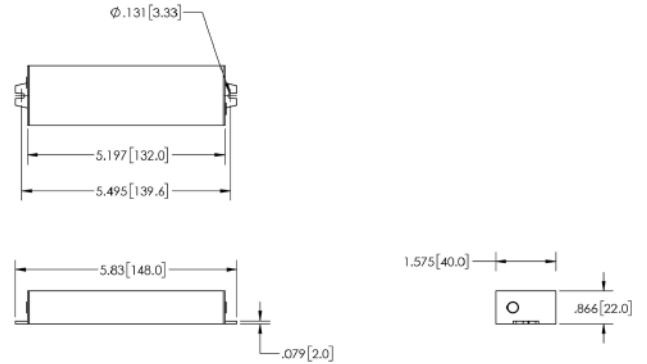
# 3-IN-1 DIMMING DRIVERS

## Driver Dimensions

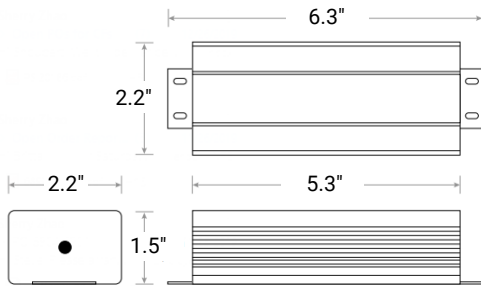
**20W Dimmable Driver** 7.6" (7.0") x 1.2" x 0.79"



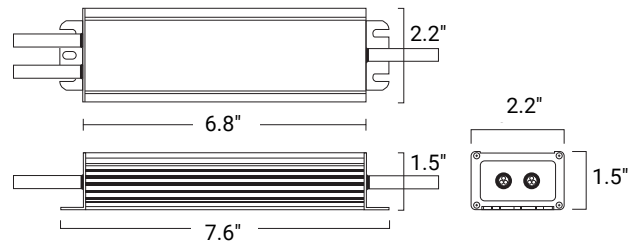
**40W Dimmable Driver** 5.5 (5.2") x 1.6" x 1.87"



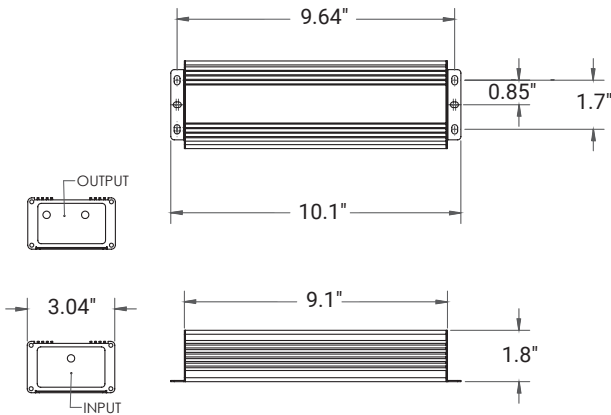
**60W / 75W Dimmable Driver** 6.3" (5.3") x 2.2" x 1.5"



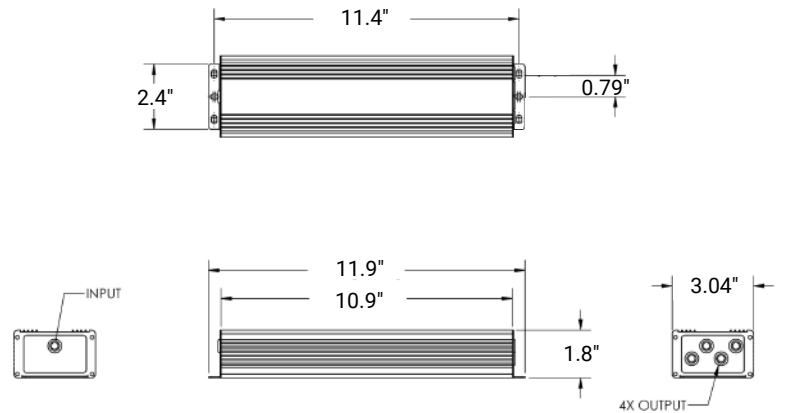
**96W Dimmable Driver** 7.6" (6.8") x 2.24" x 1.5"



**200W Dimmable Driver** 10.1" (9.1") x 3.04" x 1.8"



**300W Dimmable Driver** 11.9" (10.9") x 3.03" x 1.8"

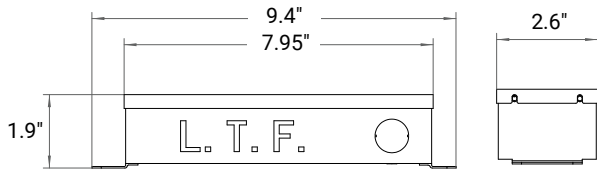


\* Specifications sheets are subject to change without notification.

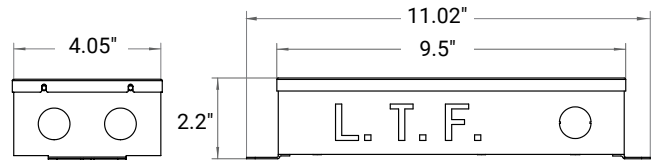
# 3-IN-1 DIMMING DRIVERS

## Enclosure Dimensions

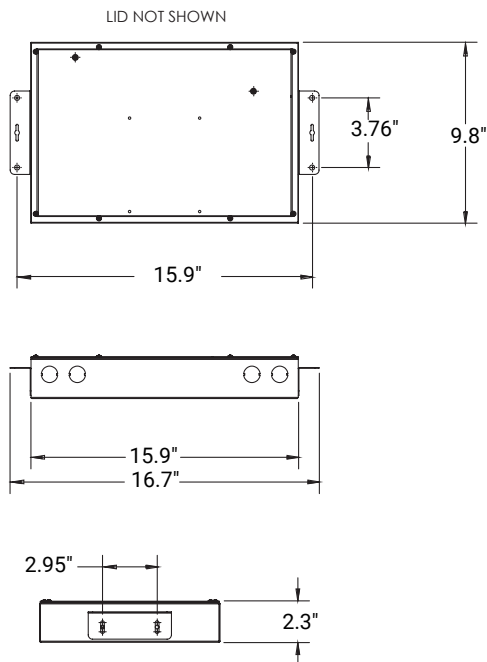
**20W Dimmable Driver** 9.4" x 2.6" x 1.9"



**40W / 60W / 75W / 96W Enclosure** 11.02" (9.5") x 4.1" x 2.2"



**200W / 300W Enclosure** 16.7" (15.9") x 9.8" x 2.3"



\* Specifications sheets are subject to change without notification.