

OrgaLED® Cove Extrusion

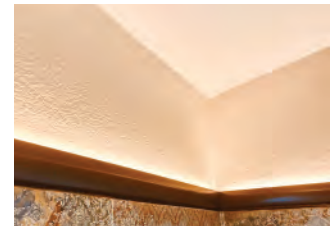


Project

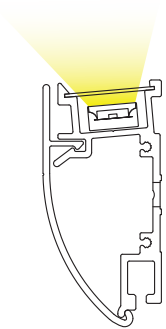
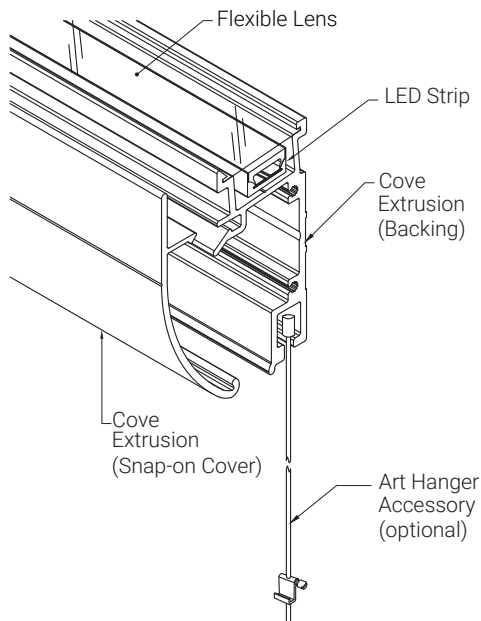
Date

APPLICATIONS

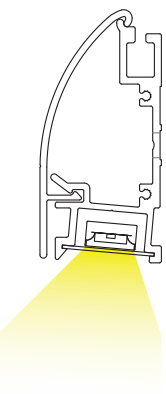
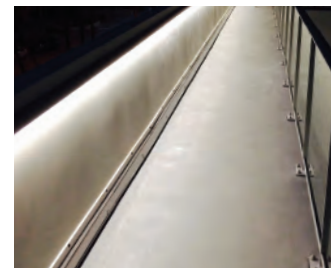
Cove Extrusion - **UpLight**



SYSTEM OVERVIEW



Cove Extrusion - **DownLight**



- Aluminum 6061 Extrusion, Anodized
- Polycarbonate Snap-in Lens
- Snap-on Cover for a Seamless Design
- Optional Art Hanger Accessory
- Available in 8'3" Standard Lengths
- Custom Powder Coat Finish Available

PART NUMBER & SPECIFICATIONS

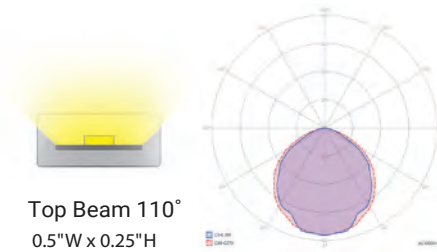
Part #	Description
011580-C	Cove Extrusion Cover
011580-B	Cove Extrusion Backing
011591-C	Snap-in Cove Clear Lens
011580-ECLS	Cove Left End Cap
011580-ECRS	Cove Right End Cap
011580-CB	Cove Art Hanging Accessory

Specifications may be modified or improved without notification.



OrgaLED® Cove Extrusion

LED STRIPS - 24V | CONNECTORS



- High efficacy
- High Density
- 24V DC - Low Voltage, Class 2
Up to 33ft continuous runs
- 2700K, 3000K, 3500K, 4000K, 5000K
- Field Cuttable 1.96in
- 8 LED per cuttable section
- Dimmable
- UV/IR protected PVC encapsulation
- Double PVC housing
- IP40; IP67 Wet Location
- UL Listed / CE /ROHS
- 5 years / 50,000 hrs warranty
- Hollow chamber extrusion protects phosphors

PART NUMBER & SPECIFICATIONS

OrgaLED® Deco Top

Part #	Color	CRI	lm/ft*	W/ft
041101	2700K	>94	41.4	0.3
041102	3000K	>94	42.6	0.3
041103	3500K	>94	42.6	0.3
041104	4000K	>94	45	0.3
041105	5000K	>94	45	0.3

OrgaLED® Power Top

Part #	Color	CRI	lm/ft*	W/ft
041201	2700K	>94	138	1.25
041202	3000K	>94	142	1.25
041203	3500K	>94	142	1.25
041204	4000K	>94	147	1.25
041205	5000K	>94	150	1.25

OrgaLED® High Power Top

Part #	Color	CRI	lm/ft*	W/ft
041301	2700K	>94	234.6	2.16
041302	3000K	>94	241.4	2.16
041303	3500K	>94	241.4	2.16
041304	4000K	>94	254	2.16
041305	5000K	>94	255	2.16

*Data based on PCB without housing



ACCESSORIES

OrgaLED strips offer a range of 'Plug & Play' IP40 and IP67 field installable connectors or factory installed IP67 connections.



Starter Cable 16ft
IP40 / IP67
#041002



L-Connector Starter Cable 16ft
IP40 / IP67
#041003



Jumper Cable 8in
IP40 / IP67
#041004



Top End Cap | IP40
#041001



L-Splice Connector
IP40 / IP67
#041005



IP67 Field Kit
#011511



Specifications may be modified or improved without notification.

OrgaLED® Cove Extrusion

POWER SUPPLIES

Power Supplies - 24V

Part #	Ingress	Voltage	Wattage	LxWxH	Description
011380	IP20	120-277V	25W	9.1"x1.61"x1.17"	ELV 0-10V Driver
011381	IP20	120-277V	40W	9.1"x1.61"x1.17"	ELV 0-10V Driver
011382	IP67	120-277V	60W	9.1"x1.61"x1.17"	ELV 0-10V Driver
011383	IP67	120-277V	75W	9.1"x1.61"x1.17"	ELV 0-10V Driver
011384	IP67	120-277V	100W	9.1"x1.61"x1.17"	ELV 0-10V Driver
011350	NEMA 3R	120-277V	20W	5.6"x2"x2.14"	Magnetic Phase Dimming Driver
011351	NEMA 3R	120V	40W	5.6"x2"x2.14"	Magnetic Phase Dimming Driver
011352	NEMA 3R	120V	50W	6.55"x2.25"x2.55"	Magnetic Phase Dimming Driver
011353	NEMA 3R	120V	60W	6.55"x2.25"x2.55"	Magnetic Phase Dimming Driver
011354	NEMA 3R	120V	96W	6.55"x2.25"x2.55"	Magnetic Phase Dimming Driver
011355	NEMA 3R	120V	100W	9.8"x3"x2.74"	Magnetic Phase Dimming Driver
011356	NEMA 3R	120V	150W	9.8"x3"x2.74"	Magnetic Phase Dimming Driver
011357	NEMA 3R	120V	200W	9.8"x3"x2.74"	Magnetic Phase Dimming Driver
011358	NEMA 3R	120V	300W	10.07"x4.2"x3.5"	Magnetic Phase Dimming Driver
011359	NEMA 3R	277V	60W	6.55"x2.25"x2.55"	Magnetic Phase Dimming Driver
011360	NEMA 3R	277V	150W	9.8"x3"x2.74"	Magnetic Phase Dimming Driver



ELV 0-10V Driver



Magnetic Driver

Specifications may be modified or improved without notification.

