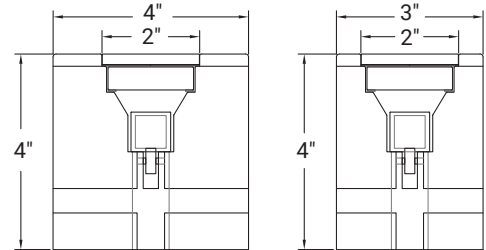


Project

Date

STANDARD SIZES

*Custom Shapes & Sizes Available



CONSTRUCTION

Interlocking reinforced Cast Polymer concrete, with drive-over tempered glass lens system with an impact resistant anti-slip surface layer. Suitable for harsh environments. Salt water and chemical resistant.

MOUNTING

Inground installation in continuous lines, or individual fixtures. Drive-over applications up to 50,000 PSI. Future proof LED arrays of up to 49ft are maintainable and replaceable from one end of the run, without removing lenses.

LED

Aqueon® 24VDC IP68 flexible continuous LED strip with submersible IP68 molded connectors, specially designed for harsh environments.

COLOR TEMPERATURES

24k, 30K, 35K, 40K, 50K, Red, Blue, Green, Amber, RGB, RGBW, Tunable White; DMX programmable streaming digital pixel models.

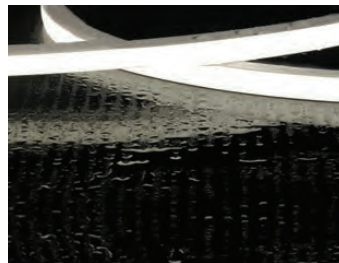
ELECTRICAL

Remote 24V drivers (Dimmable 0-10V). DMX controlled RGB or RGBW. Pixel controlled SPI.

Overcoming the high cost and limitations of drive-over lines of light is now easy with FortaCast™ (patent pending) buriable polymer concrete drive-over lighting. The structural self-supporting fixtures can be installed in roadways, paths or stonework with the ease of installing pavers. Fixtures lock together to form unlimited continuous illuminated diffused straight or curved lines with IP68 submersible sealed LEDs. Encapsulated diffused LEDs are flood and typhoon proof. Walk-over models and drive-over applications supporting 50,000 psi / 100,000 hours lifetime according to color and output required.

AQUEON LED Inside

- UL Listed to 2108-submersible.
- Permanent double molded connections.
- Low Energy - 1.83W/ft | RGBW 2.74W/ft
- Circuit protects each LED individually
- Perfectly diffused illumination
- Continuous runs



Vibration proof, and capable of withstanding the harshest environments. Aqueon® is a new type of flexible light. Superior standards, new materials, new methods, military grade components and advanced circuit design. Aqueon is flexible enough to slide into the FortaCast™ from the beginning of the run where miniature rollers inside the channels guide the lighting strip to the end.

* Specifications sheets are subject to change without notification.



SPECIFYING FORTACAST DRIVE-OVER LIGHTING

Provide fully dimensional plans, DWG files and detailed drawings.

INSTALLATION

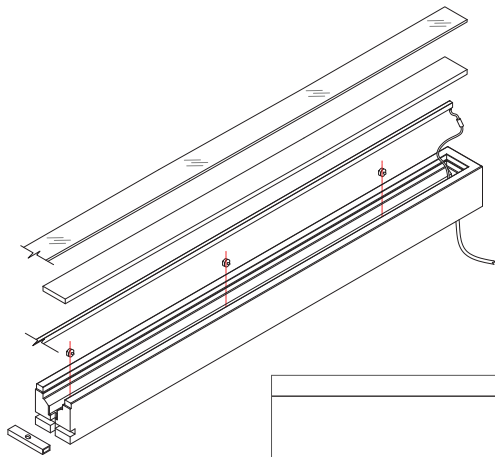
FortaCast™ sections are set in place, connect and lock together. Numbered sections are delivered to site, ready for installation. After the first section is in place, a special sealing compound is brushed to the matching ends and the second and subsequent sections are connected. After all construction and lenses are in place, the Aqueon LED lighting is installed from one end of the run. Miniature rollers guide the LED strip to the end of the run.



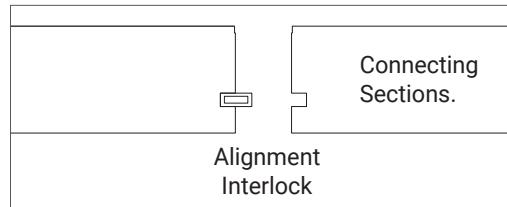
Air and vapor barrier supplied for connected joints.



Adhesion Promoter for Lens



Interlocking sealing sections with inbuilt drainage. Self supporting - no secondary installation required



STANDARD FINISHES



Special concrete stains are available from: <https://classiccoatingsystems.com/>



STEP 1 CHOOSE SERIES / WIDTH / FINISH

SERIES	WIDTH (inches)	LENS	FINISH
FCS STRAIGHT	3x4xL 3"W x 4"H x L	2 2" LENS	WH WHITE
FCC CURVED	4x4xL 4"Wx4"H x L		GR GRAY
FCCR CIRCLE	CU Custom		CU CUSTOM

SERIES — WIDTH — LENS — FINISH

[] — [] — [] — []

Example: FCS-3x4x36-2-WH

HOW TO ORDER

- Step 1** Choose Your Custom Series-Width-Lens-Finish via the Nomenclature **and/or** Standard Sizes (see page 5).
- Step 2** Chose your LED
- Step 3** Chose your Power Supply
- Step 4** Chose your Controller

* Specifications sheets are subject to change without notification.

STEP 2 CHOOSE YOUR LED

Aqueon Diffuse Mono

Part # (x=inches)	Color	Max Length	LEDs/ft	Lm/ft	W/ft
AQ-30K-x	3000K	49.2ft	32	64	1.83
AQ-35K-x	3500K	49.2ft	32	73.2	1.83
AQ-40K-x	4000K	49.2ft	32	73.2	1.83
AQ-57K-x	5700K	49.2ft	32	64	1.83

Aqueon Diffuse RGB & RGBW

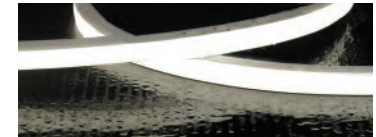
Part # (x=inches)	Color	Max Length	LEDs/ft	Lm/ft	W/ft
AQ-RGB-x	RGB	49.2ft	22	45.7	1.83
AQ-RGBW-27K-x	RGBW-27K	33ft	25	74.7	2.74
AQ-RGBW-30K-x	RGBW-30K	33ft	25	74.7	2.74
AQ-RGBW-40K-x	RGBW-40K	33ft	25	74.7	2.74

Aqueon Diffuse Tubable White

Part # (x=inches)	Color	Max Length	LEDs/ft	Lm/ft	W/ft
AQ-TW-x	2200-5700K	49.2ft	44	55	1.83

Aqueon Diffuse Pixel RGB & RGBW - Color Chasing

Color	Color	Max Length	LEDs/ft	Lm/ft	W/ft
AQP-RGB-x	RGB	49.2ft	25	45.7	2.44
AQP-RGBW-27K-x	RGBW-27K	49.2ft	25	74.7	3.66
AQP-RGBW-30K-x	RGBW-30K	49.2ft	25	74.7	3.66
AQP-RGBW-40K-x	RGBW-40K	49.2ft	25	74.7	3.66



STEP 3 CHOOSE YOUR POWER SUPPLY

Part #	Ingress	Voltage	Wattage	Description
011380	IP20	120-277V	25W	ELV 0-10V Driver
011381	IP20	120-277V	40W	ELV 0-10V Driver
011382	IP67	120-277V	60W	ELV 0-10V Driver
011383	IP67	120-277V	75W	ELV 0-10V Driver
011384	IP67	120-277V	100W	ELV 0-10V Driver
011350	NEMA 3R	120-277V	20W	Magnetic Phase Dimming Driver
011351	NEMA 3R	120V	40W	Magnetic Phase Dimming Driver
011352	NEMA 3R	120V	50W	Magnetic Phase Dimming Driver
011353	NEMA 3R	120V	60W	Magnetic Phase Dimming Driver
011354	NEMA 3R	120V	96W	Magnetic Phase Dimming Driver
011355	NEMA 3R	120V	100W	Magnetic Phase Dimming Driver
011356	NEMA 3R	120V	150W	Magnetic Phase Dimming Driver
011357	NEMA 3R	120V	200W	Magnetic Phase Dimming Driver
011358	NEMA 3R	120V	300W	Magnetic Phase Dimming Driver
011359	NEMA 3R	277V	60W	Magnetic Phase Dimming Driver
011360	NEMA 3R	277V	150W	Magnetic Phase Dimming Driver
011361	NEMA 3R	277V	200W	Magnetic Phase Dimming Driver

ELV 0-10V Driver



Magnetic 0-10V Driver



STEP 4 CHOOSE YOUR CONTROLLER

Part #	Description
050205	DMX512 SPI Converter Decoder - For Pixel
050203	LT-200 SPI Controller - For Pixel
011343	100W Digital Controller
011344	180W Digital Controller
011345	720W Digital Controller
011341	Digital Controller & Power Supply Combination
011420	Nicolaude DE3 DMX 512 Controller
011403	Nicolaude DINA-DR1 DMX 512 Controller

Nicolaude DE3 DMX 512 Controller

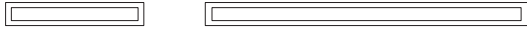


* Specifications sheets are subject to change without notification.

FORTACAST APPLICATIONS

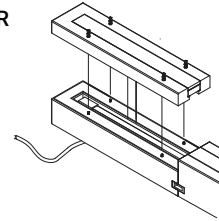
Apply FortaCast sections in limitless design possibilities. Custom lengths and radius available.

STAND ALONES

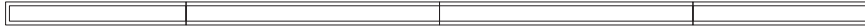


STARTER / ENDER

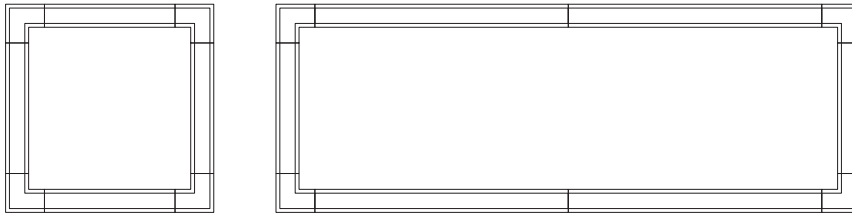
LED STRIP
ACCESS UNIT



LINES - STRAIGHT SECTIONS WITH ENDCAPS



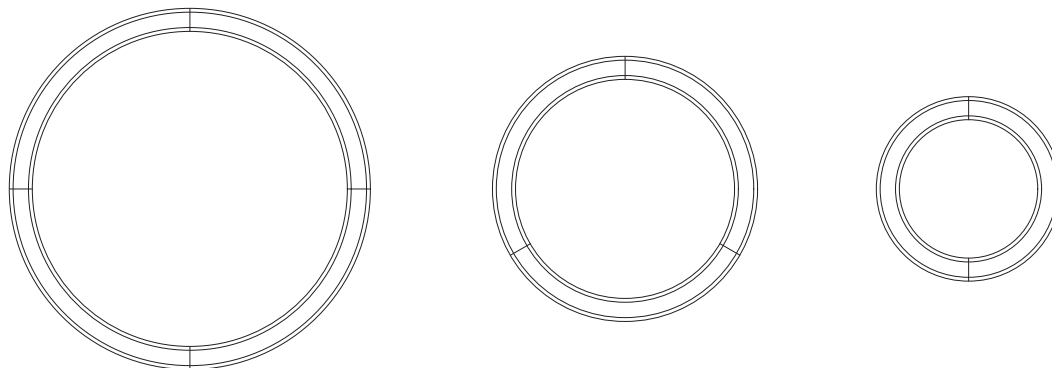
SQUARES AND RECTANGLES - STRAIGHT SECTIONS WITH JUNCTIONS



RIPPLES - CURVED SECTIONS WITH ENDCAPS



CIRCLES - CURVED SECTIONS

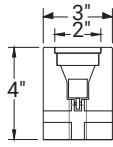


* Specifications sheets are subject to change without notification.

PATENT PENDING

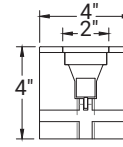
FORTACAST STANDARD SIZES AVAILABLE

3" x 4" (2" Lens)



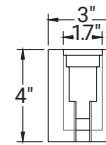
Part #	Description
VP-SS4X3X23.5STEC	23.5"
VP-SS4X3X17ST	17.0"
VP-SS4X3X33ST	33.0"
VP-SS4X3X36.5R284	R285.5" 36.5"
VP-SS4X3X35.5R71	R72.5" 35.5"
VP-SS4X3X-J1	157° 19.28"
VP-SS4X3X-J2	157° 19.28"
VP-SS4X3X-J3	90° 5.05"
VP-SS4X3X-J4	9.45" R72.5"
VP-SS4X3X-J5	9.45" R72.5"

4" x 4" (2" Lens)



Part #	Description
VP-SS4X4X38.375ST	38.375"
VP-SS4X4X38.67ST	38.67"
VP-SS4X4X41.375ST	41.375"
VP-SS4X4X75DPC2	75°
VP-SS4X4X105PC1	105°

3" x 4" (1.7" Lens) - ENCLOSED & END CAP SECTIONS



Part #	Description
VP-SS4X3X18STENC	18"
VP-SS4X3X42STENC	42"
VP-SS4X3X39STEC	39"

STANDARD CIRCLES 2FT / 3FT / 4FT

IN PROGRESS

Part #	Description
VP-SS4X3X31.11R22	Ø47.0" 31.11"
VP-SS4X3X27.28R15.75	Ø34.5" 27.28"
VP-SS4X3X21R10.5	Ø24.0" 21"

* Specifications sheets are subject to change without notification.