

# USER MANUAL

*Deco, Power, High Power & Photon*



## Table of Contents

Warning	2
Product Information	2
Product Dimensions	2
Bending Radius	2
Cutting Instructions	3
Connecting & Waterproofing	4
Connections IP40	5
Solder Connections IP20	6
General	8
Power Supply	9
Cable Selection	10
Product Specifications	12
Photometric Diagram	19
Symbols	20

**PLEASE READ THESE INSTRUCTIONS CAREFULLY BEFORE INSTALLATION & LEAVE A COPY FOR THE END USER/ MAINTANANCE ENGINEER FOR FUTURE REFERENCE.**



## Warning

**This product comes with a 5 year warranty.**

Warranty void if:

1. The installation guide has not been consulted (installation mistake).
2. The installation is not done by a certified installer.
3. Local rules and guidelines are not respected.
4. The invoice cannot be shown and/or has been altered.
5. Damage is caused by negligence, abnormal use or improper handling, use, maintenance and/or cleaning of the product.

This product is intended for professional use only! This product must be installed by a qualified and certified installer according to local rules and guidelines. Organic Lighting Systems, Inc. cannot be held liable for (consequential) damage and/or injuries due to unintended use and/or installation errors.

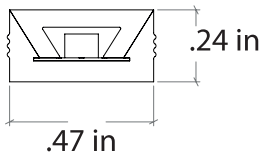
## Product Information

The OrgaLED® LED strip (IP40) is a high quality, flexible LED strip with a unique co-extrusion technology. Designed for an endless range of indoor and outdoor applications.

*\* For use in wet environments, use mirror welded connectors or IP68 waterproof kits.*

## Product Dimensions

OrgaLED strip front view:

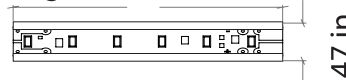


OrgaLED strip top view; cuttable sections:

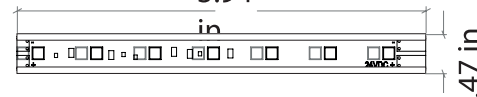
Deco, Power: 7.87 in



High Power: 1.97 in

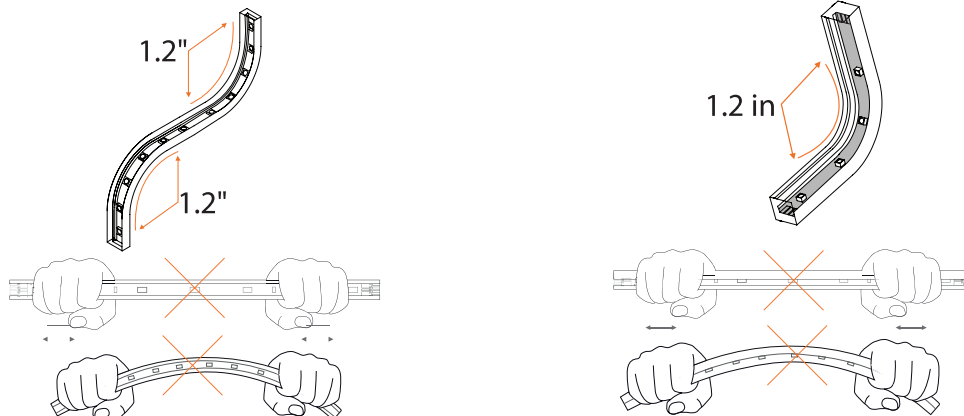


Photon: 3.94 in



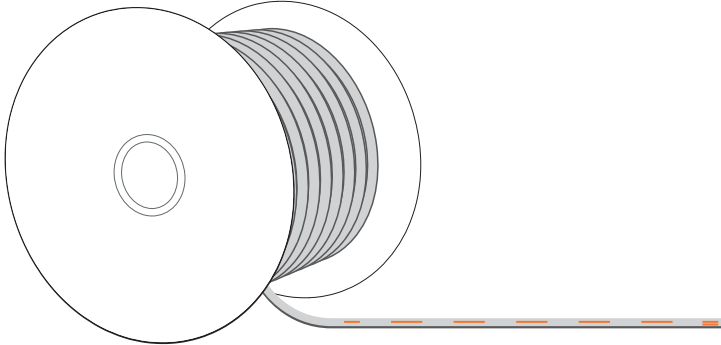
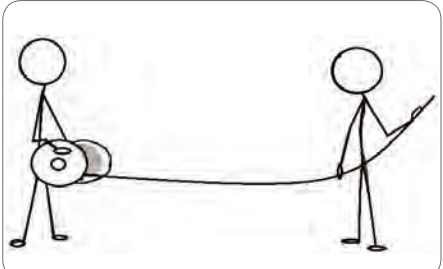
## Bending Radius

Maximum bending radius is 1.2 in. Solely bend up or downward. Do not compress, stretch or bend the LED strip.



# Cutting Instructions

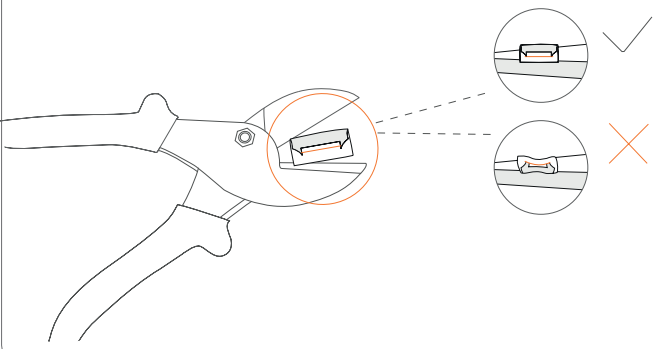
**1**

**⚠️ 10ft lengths require a second person's assistance.**

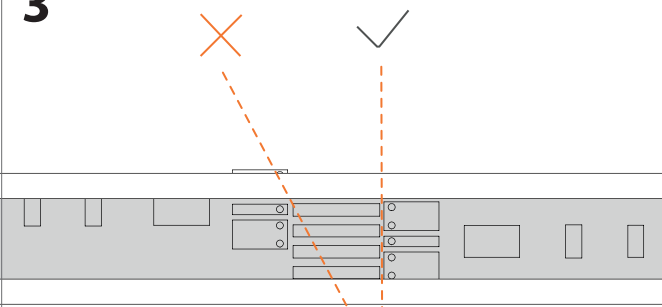
**⚠️** The LED strip has to be unreeled on a horizontal surface at the time of installation. Do not unreele the spool of LED strip before installation. Lengths over 10ft should be installed with the help of a second person to support the strip to ensure that the connector is not stressed.

**2**



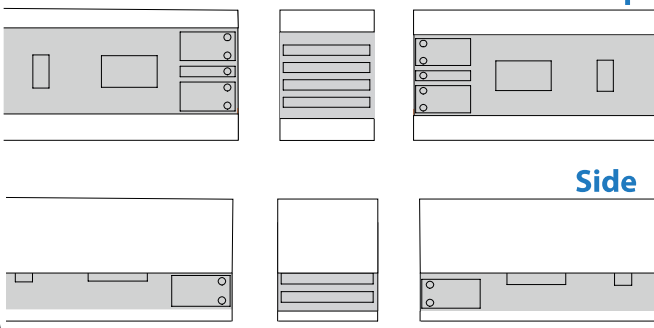
Place the OrgaLED® LED strip on the base of the cutting tool. Not doing so may result in a deformed LED strip.

**3**



**Top view** | Make sure the cut is vertical as illustrated in the image above. Only cut on the dotted lines to prevent damaging the LED strip.

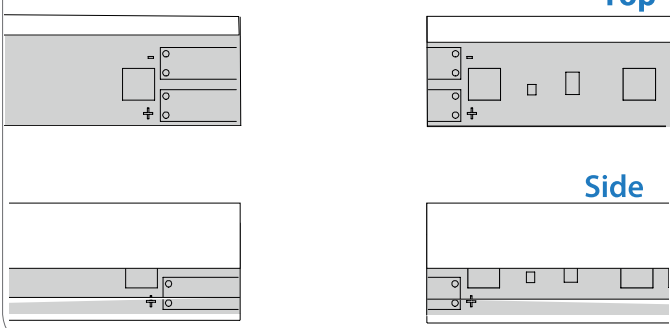
**4a** **OrgaLED Deco , Power**



**Top**

**Side**

**4b** **OrgaLED High Power, Photon**



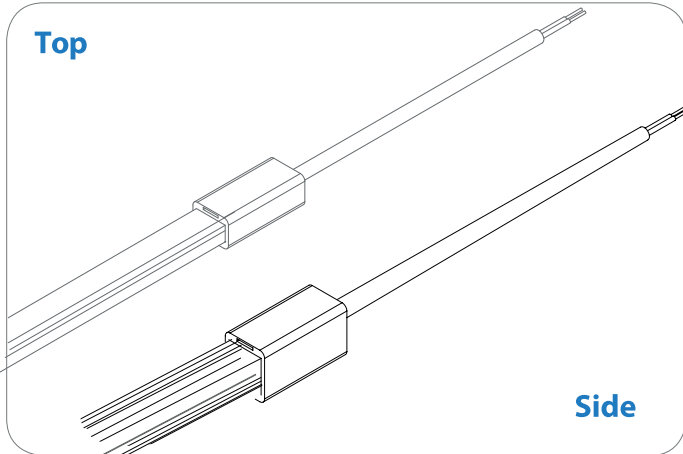
**Top**

**Side**

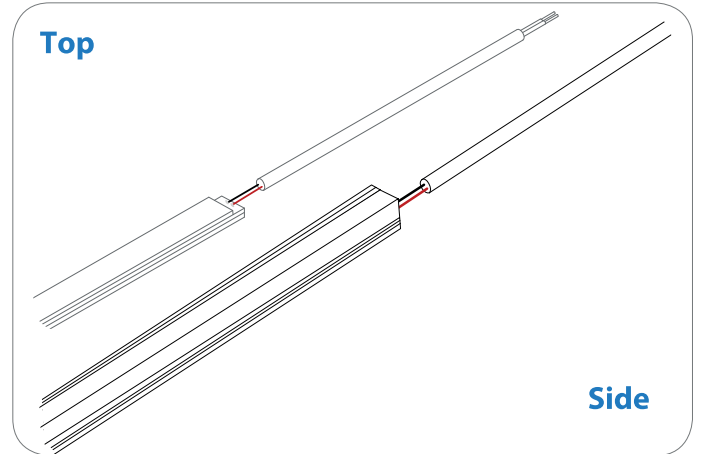
**⚠️** Dispose of the unnecessary material through waste recycling of electrical and electronic equipment.

## Choose your Connector - IP40 , IP67 or IP68

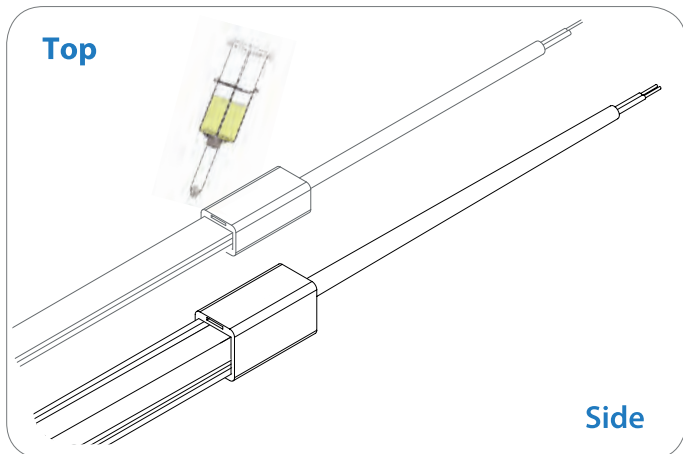
Depending on the area where the OrgaLED® LED strip is installed we offer a range of solutions to cope with external factors. The product portfolio includes a range of IP40, IP67 and IP68 connectors. Below the different connectors are displayed for use in various environments.



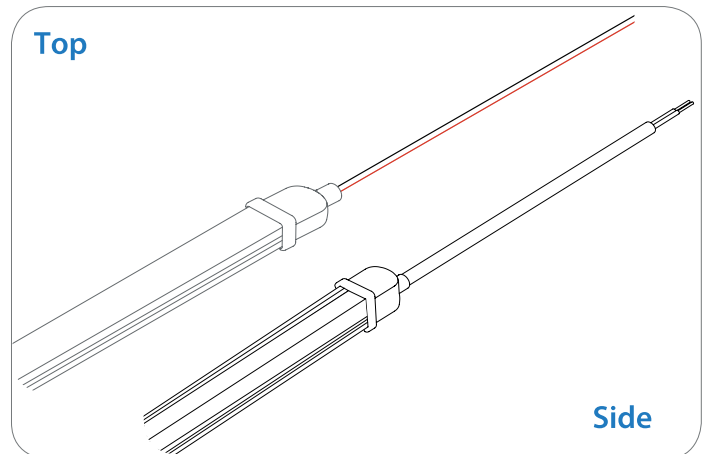
Indoor environment | [\(IP40\)](#)  
**OrgaLED® Top Connector Set, 16'L**  
 Product code: 011201  
**OrgaLED® Side Connector Set, 16'L**  
 Product code: 011203



Indoor environment | [\(IP20\)](#)  
**Solder**

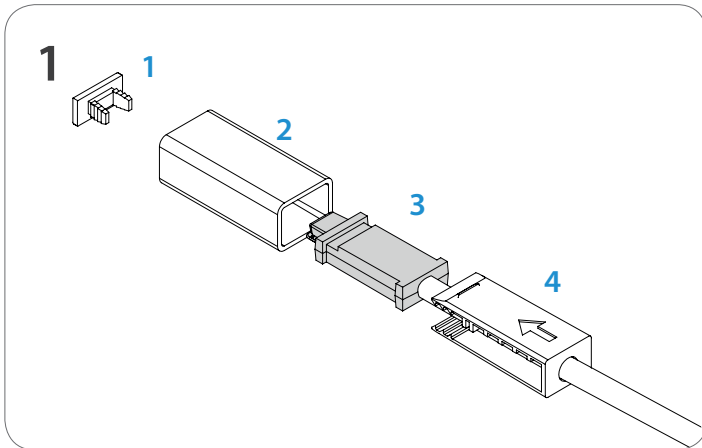


Wet environment | [\(IP67\)](#)  
**Factory Waterproofing**  
 Product code: 011508

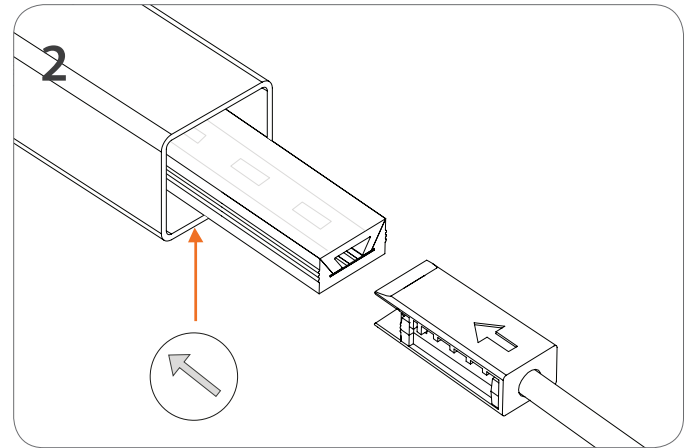


Submersible, chlorine resistant | [\(IP68\)](#)  
**Mirror Top Welded Connector**  
 \*Factory Connected  
 Product code: 011290  
**Mirror Side Welded Connector**  
 \*Factory Connected  
 Product code: 011291

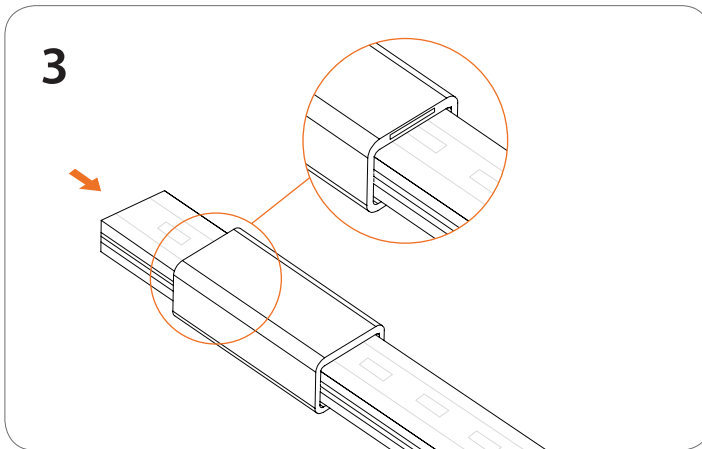
## Connection Assembly (IP40)



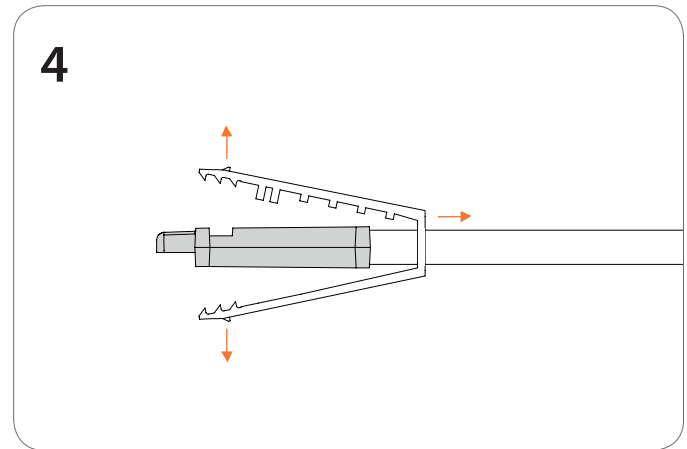
The OrgaLED® IP40 Connector consists of: End cap (1), Shell (2), Connector (3), Clamp (4).



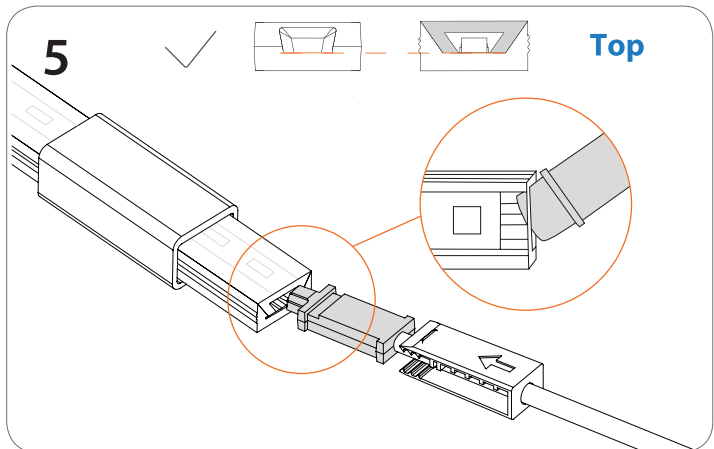
Take into account the direction of the arrow on the bottom of the OrgaLED® LED strip and align it with the arrow on the clamp (4).



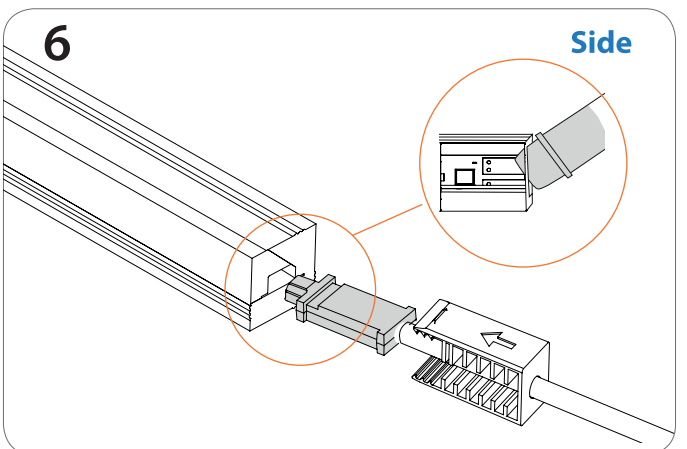
Place the shell (2) over the LED strip. Make sure the side with the small-est opening is put on first.



Side view | Slide the clamp (4) over the cable to reveal the connector (3).

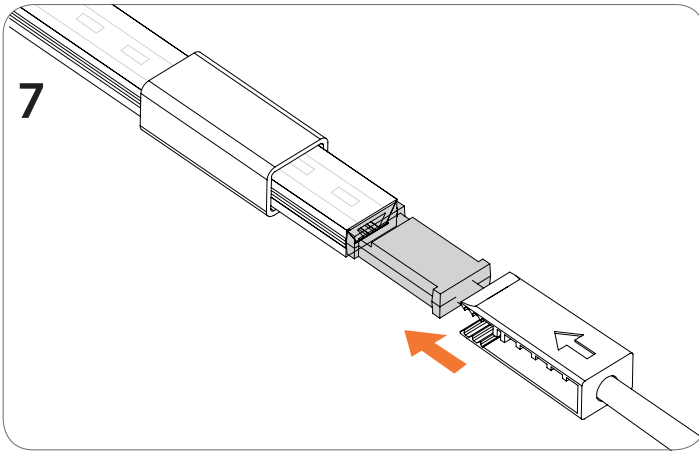


Slide the Top connector (3) sideways into the hollow chamber of the OrgaLED® LED strip. Side view | Do not cut the PCB!

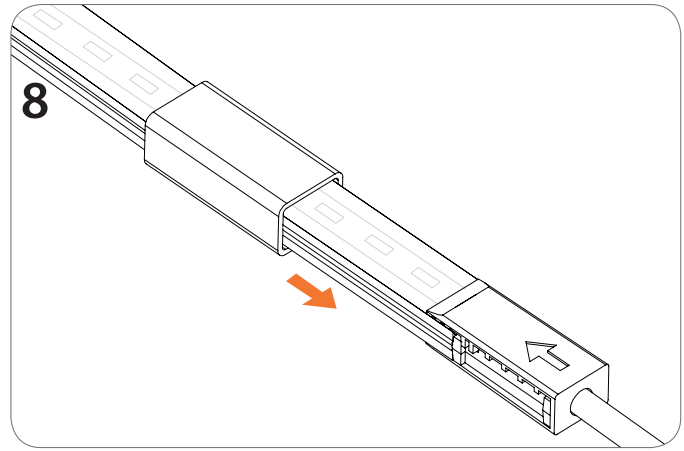


Side view | Make sure the connector and the PCB are perfectly horizontally aligned.

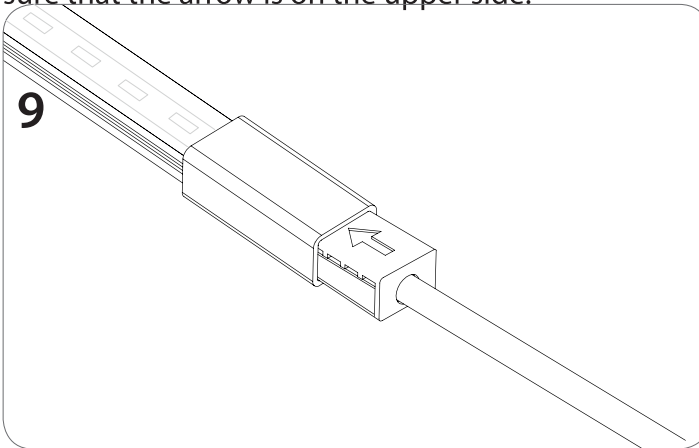
## Connection Assembly (IP40)



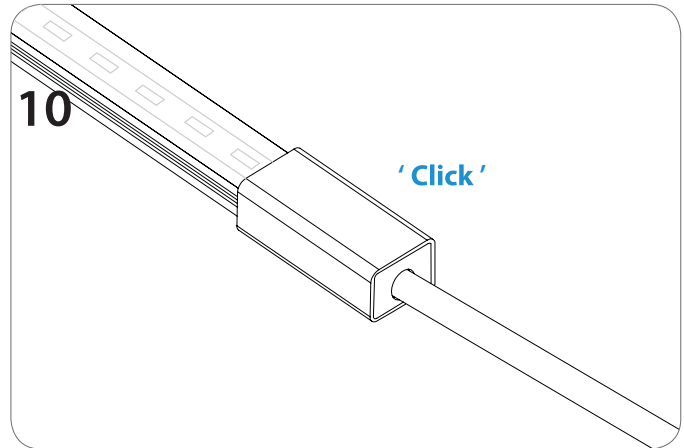
Slide the clamp (4) over the connector (3) and make sure that the arrow is on the upper side.



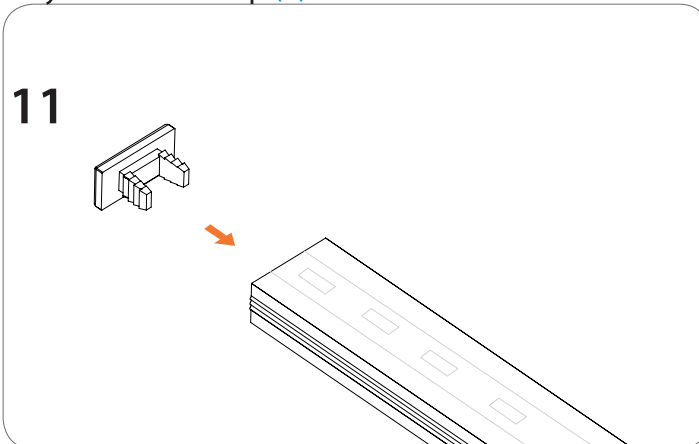
Slide the shell (2) partly over the clamp (4).



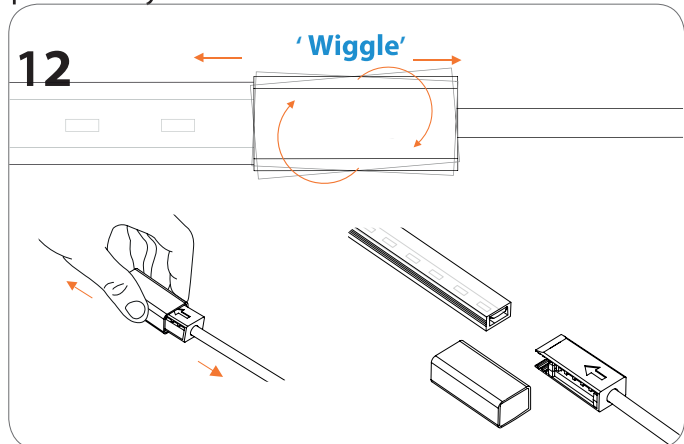
Test the OrgaLED® LED strip before you slide it fully over the clamp (4).



Slide the shell (2) entirely over the clamp (4) and push firmly until it 'clicks'.

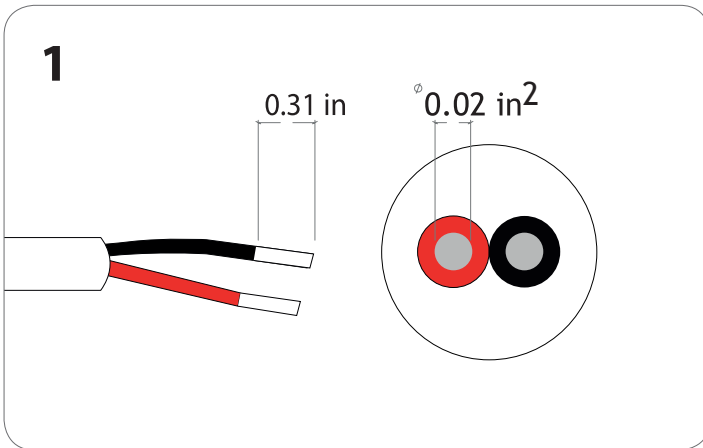


Finish the connection by inserting an end cap (1) in the hollow chamber on the end side of the OrgaLED® LED strip.

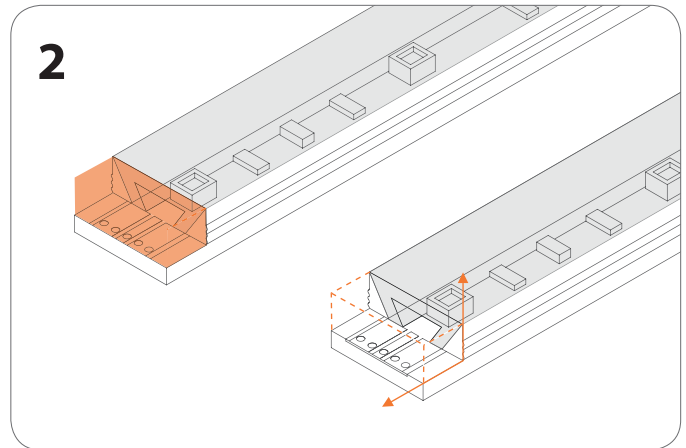


\*\*Uninstalling the connector multiple times may weaken the connection point over time. To remove 'wiggle' the connection from the LED and pull apart in the opposite direction. Do **not** pull on the cord.

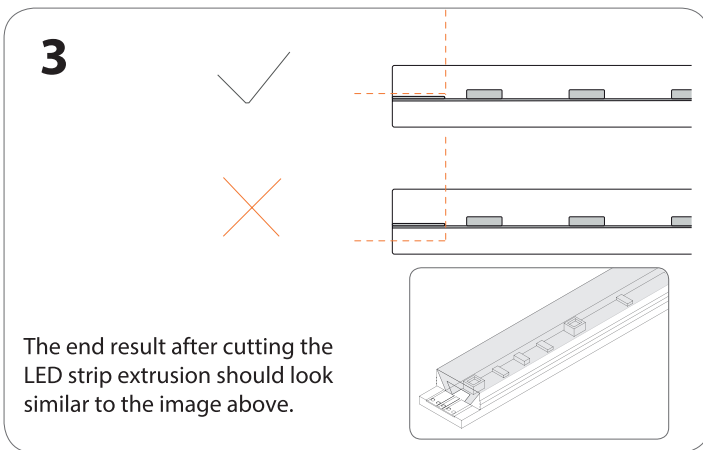
## Solder Connection Assembly (IP20)



Solder the wires to the PCB. We advise to use a cable with an area not higher than 0.02 in.

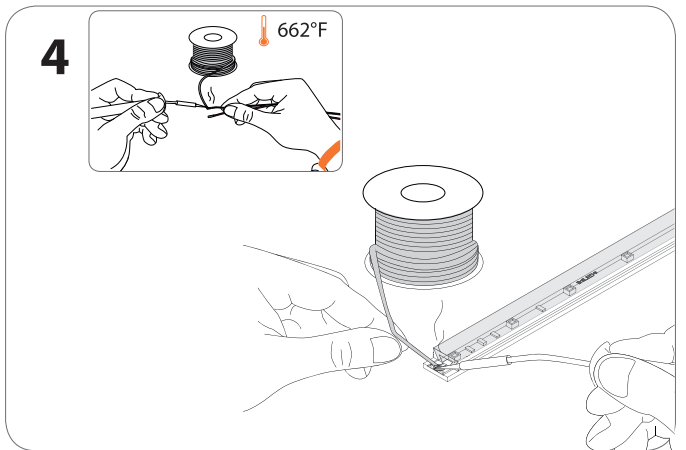


**Top view** | Only cut the LED strip extrusion on the dotted line of the extrusion to prevent damaging the PCB. Carefully cut this part of the extrusion, we recommend folding up to use as a cover once the solder is finished.

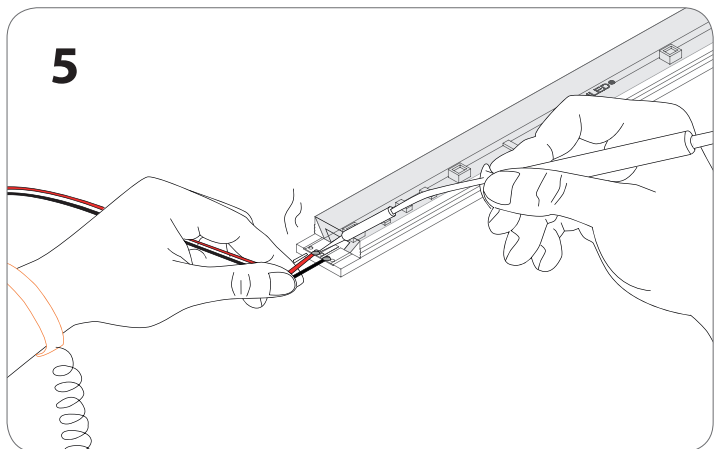


The end result after cutting the LED strip extrusion should look similar to the image above.

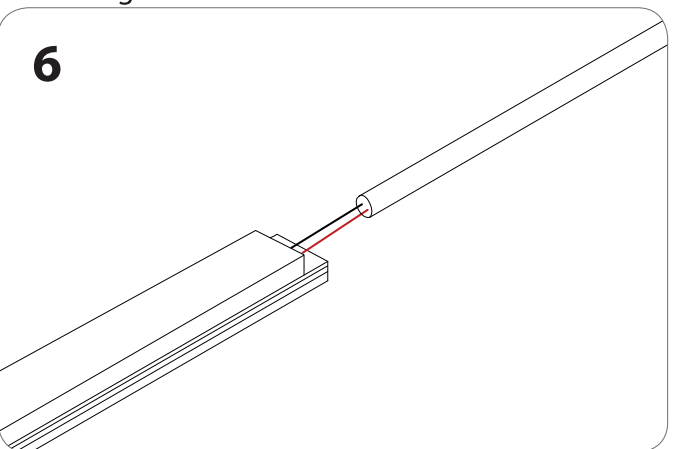
**Side view** | Do not cut the PCB!



Pre-solder the connector pads before soldering the wires.



Solder the wires to the connector pads, making sure the solder does not flow out of the pad areas, which could cause a short.



Connect the OrgaLED® LED strip to the power supply (24 V DC) constant voltage.

## General

**Read the instructions and safety precautions before installation, usage and storage of the products to secure safety of the user and reliability of the product. Hand over the instructions to the end-user and/or those responsible for installation, maintenance and usage.**

- Organic Lighting Systems, Inc. cannot be held responsible for improper handling, product installation, usage or storage.

## Handling

- Handle with care.
- The product may not be modified or converted otherwise than prescribed.
- Products are transported in proper packaging. Products should remain packed until installation.

## Installation

- Attention: The power has to be switched off the main power supply or the connection before installation. Not doing so may damage the product.
- Use a suitable LED power supply/driver: 24 V DC constant voltage. Do not drive the product on other voltages than described in their datasheet/products specifications.
- Installation has to be done by a certified professional with knowledge of electrical circuits or a specialised maintenance person known with valid directives.
- General and local construction, safety- and installation regulations should be respected.
- Use only supplied parts, accessories and required tools as prescribed in the installation manual to guarantee a safe installation and use of the product.
- Products may solely be installed in the areas according to their prescribed IP-rating, IK-rating, temperature range and chemical resistances.
- Do not fasten anything on the product, same applies for hanging.
- Do not install the product in the following cases:
  - Damage is visible on the product or its cables.
  - The inside of the product is moistened or dirty.
  - The product or its cables have been modified. It could lead to an electrical shock or a short circuit may occur.
- Children may not play unsupervised with electrical products as they cannot judge the dangers in dealing with electrical circuits correctly.

## Operation and Use

**Solely use the product when its working correctly. If not, switch the power off immediately and advise an electrical specialist in the following case.**

- Damage is visible on the product.
- The product does not function.
- Smoke or steam rises from the product.
- Crackling sounds are noticeable.
- The product is overheating.
- Repairs on the installation may only be performed by qualified electricians. Product repairs may solely be done by Organic Lighting Systems, Inc.

## Cleaning and Maintenance

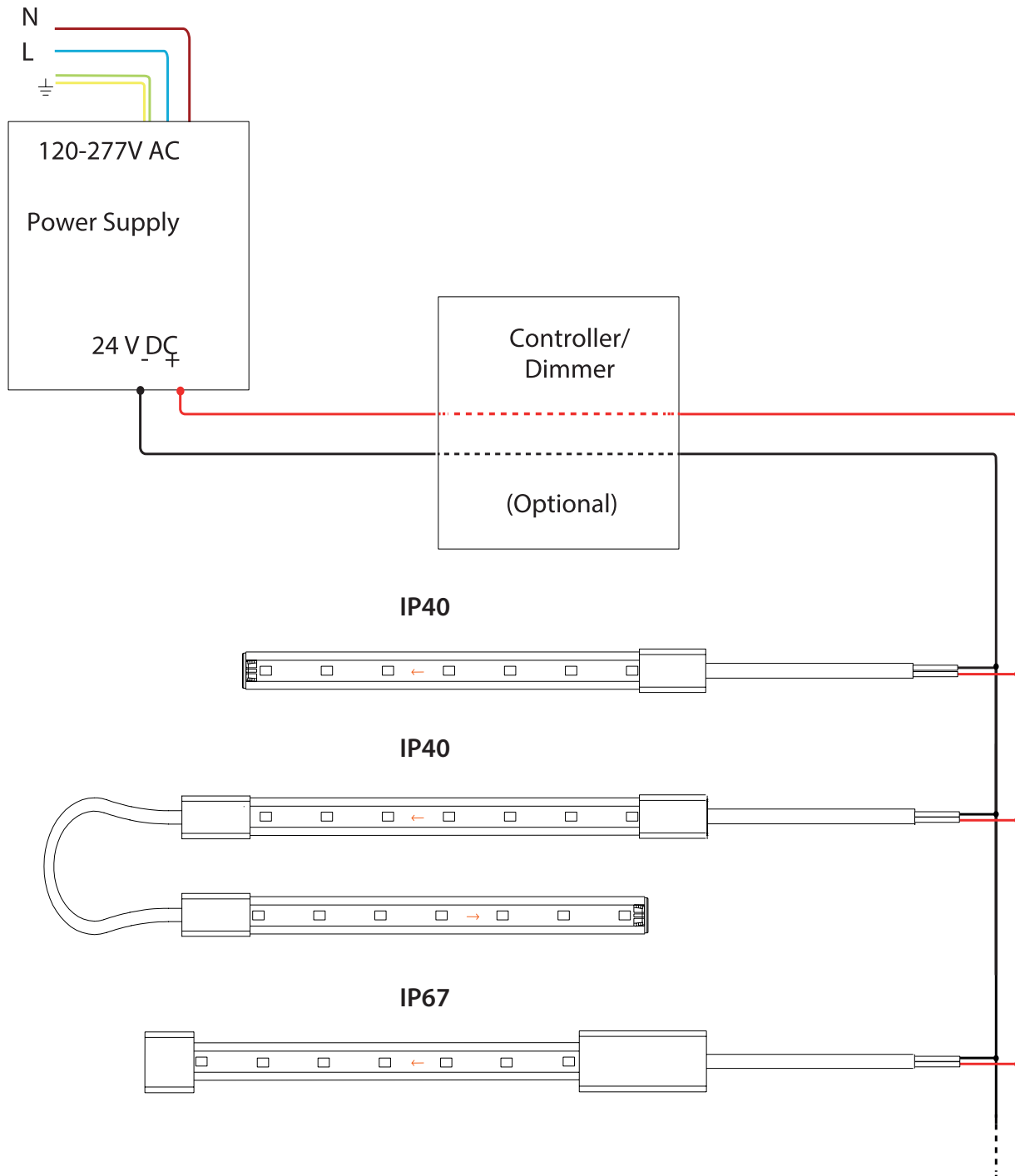
- Attention: Disconnect the power before maintenance and cleaning.
- Dust and dirt accumulated over time should be removed from the light-emitting surface to assure optimal functioning of the product.
- Paints, solvents and corrosive cleaning chemicals may not contact and thus affect the product.

## Environment and Waste

- Exterior decorative lighting should only be used after sunset.
- This product may not be treated as household waste. Dispose of the material through the waste recycling of electrical and electronic equipment.



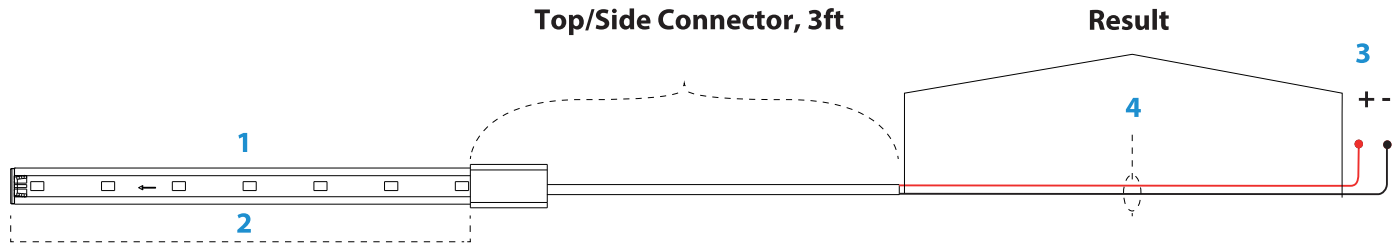
# Power Supply



## Cable Selection

The following chart gives the maximum 24V supply cable run lengths based on 22AWG, 20AWG, 18AWG, 16AWG and 14AWG wire gauge to avoid voltage drop to the strips, with a 3ft OrgaLED connector cable length.

A wiring plan with branches from a single power supply connection cannot exceed the maximum connector strip length shown on the charts and if complex will require special electrical calculations to ensure adequate power to maintain full LED output.



**Result** = Maximum cable length based on the cable thickness and power supply voltage.

### 1. Color Temperature

### DECO 2400-6500K

2. LED Strip Length	3'		16'		33'		66'	
3. Voltage	24V DC	25V DC	24V DC	25V DC	24V DC	25VDC	24V DC	25V DC
4. Cable Size								
22 AWG	304'	587'	57'	114'	27'	55'	11'	25'
20 AWG	457'	883'	86'	172'	40'	82'	17'	38'
18 AWG	608'	1174'	114'	228'	53'	110'	22'	51'
16 AWG	914'	1767'	173'	343'	80'	165'	33'	76'
14 AWG	1521'	2940'	287'	571'	133'	275'	56'	127'

### 1. Color Temperature

### DECO RED & AMBER

2. LED Strip Length	3'		16'		33'		66'	
3. Voltage	24V DC	25V DC	24V DC	25V DC	24V DC	25VDC	24V DC	25V DC
4. Cable Size								
22 AWG	227'	439'	42'	84'	19'	40'	7'	18'
20 AWG	341'	661'	63'	127'	28'	60'	11'	27'
18 AWG	453'	879'	84'	169'	38'	80'	14'	36'
16 AWG	682'	1322'	127'	254'	57'	121'	22'	54'
14 AWG	1135'	2200'	210'	423'	95'	201'	37'	90'

# Cable Selection

## 1. Color Temperature

### DECO BLUE & GREEN

2. LED Strip Length		3'		16'		33'		66'	
3. Voltage		24V DC	25V DC	24V DC	25V DC	24V DC	25VDC	24V DC	25V DC
4. Cable Size	22 AWG	402'	776'	77'	152'	36'	74'	16'	35'
	20 AWG	605'	1168'	116'	228'	55'	111'	24'	52'
	18 AWG	805'	1553'	154'	304'	73'	148'	32'	70'
	16 AWG	1210'	2336'	233'	457'	110'	222'	48'	105'
	14 AWG	2015'	3888'	386'	761'	182'	370'	81'	174'

## 1. Color Temperature

### POWER 2400 - 6500K

2. LED Strip Length		3'		6'		16'		33'	
3. Voltage		24V DC	25V DC	24V DC	25V DC	24V DC	25VDC	24V DC	25V DC
4. Cable Size	22 AWG	221'	429'	109'	213'	41'	82'	18'	39'
	20 AWG	333'	646'	163'	320'	61'	124'	28'	59'
	18 AWG	443'	859'	217'	425'	82'	165'	37'	78'
	16 AWG	667'	1292'	327'	640'	123'	248'	55'	118'
	14 AWG	1110'	2150'	544'	1065'	205'	413'	92'	196'

## 1. Color Temperature

### POWER RED & AMBER

2. LED Strip Length		3'		6'		16'		33'	
3. Voltage		24V DC	25V DC	24V DC	25V DC	24V DC	25VDC	24V DC	25V DC
4. Cable Size	22 AWG	118'	231'	57'	113'	20'	43'	8'	19'
	20 AWG	178'	347'	86'	170'	31'	64'	12'	29'
	18 AWG	236'	462'	114'	227'	40'	86'	16'	38'
	16 AWG	356'	695'	172'	341'	61'	129'	24'	58'
	14 AWG	592'	1156'	285'	567'	101'	214'	40'	96'

## 1. Color Temperature

### POWER BLUE & GREEN

2. LED Strip Length		3'		6'		16'		33'	
3. Voltage		24V DC	25V DC	24V DC	25V DC	24V DC	25VDC	24V DC	25V DC
4. Cable Size	22 AWG	137'	267'	66'	131'	24'	50'	10'	23'
	20 AWG	206'	401'	100'	197'	36'	75'	15'	34'
	18 AWG	274'	534'	133'	262'	48'	100'	20'	46'
	16 AWG	412'	803'	199'	395'	72'	150'	30'	69'
	14 AWG	686'	1336'	332'	657'	119'	250'	50'	114'



## Cable Selection

### 1. Color Temperature

### HIGH POWER 2400 - 6500K

2. LED Strip Length		3'		6'		16'		33'	
3. Voltage		24V DC	25V DC	24V DC	25V DC	24V DC	25VDC	24V DC	25V DC
4. Cable Size	<b>22 AWG</b>	110'	215'	53'	105'	18'	39'	7'	18'
	<b>20 AWG</b>	165'	324'	79'	158'	28'	59'	11'	27'
	<b>18 AWG</b>	220'	430'	106'	211'	37'	79'	14'	35'
	<b>16 AWG</b>	331'	647'	159'	317'	56'	119'	22'	53'
	<b>14 AWG</b>	551'	1077'	265'	528'	93'	198'	36'	89'

### 1. Color Temperature

### PHOTON 2400-6500K

2. LED Strip Length		3'		6'		16'		29'	
3. Voltage		24V DC	25V DC	24V DC	25V DC	24V DC	25VDC	24V DC	25V DC
4. Cable Size	<b>22 AWG</b>	121'	236'	58'	116'	21'	44'	10'	22'
	<b>20 AWG</b>	182'	356'	88'	175'	31'	66'	14'	34'
	<b>18 AWG</b>	242'	473'	117'	232'	42'	88'	19'	45'
	<b>16 AWG</b>	365'	712'	176'	350'	63'	132'	29'	68'
	<b>14 AWG</b>	607'	1185'	293'	582'	104'	220'	49'	113'

## Product Specifications - Deco White

User Manual | OrgaLED® Deco, Power, High Power, Photon

<b>Deco White Top</b>	<b>2400K</b>	<b>2700K</b>	<b>3000K</b>	<b>4000K</b>	<b>6500K</b>
Product code	011856	011859	011601	011608	011607
Luminous flux	27 lm/ft	32 lm/ft	31 lm/ft	34 lm/ft	34 lm/ft
Luminous efficiency	105 lm/W	120 lm/W	115 lm/W	128 lm/W	60 lm/W
Beam angle	110°				
Dimensions	0.47 x 0.24 in				

### Deco White Side

Product code	011875	011878	011766	011740	011765
Luminous flux	24 lm/ft	25 lm/ft	24 lm/ft	28 lm/ft	28 lm/ft
Luminous efficiency	74 lm/W	76 lm/W	74 lm/W	84 lm/W	42 lm/W
Beam angle	55°				
Dimensions	0.47 x 0.47 in				
Power (24 V DC)	0.33 W/ft	0.33 W/ft	0.33 W/ft	0.33 W/ft	0.67 W/ft
Power (25 V DC)	0.33 W/ft	0.33 W/ft	0.33 W/ft	0.33 W/ft	0.7 W/ft
CRI	> 80	> 80	> 80	> 80	> 80
Spool length	Max. 164 ft				
Section length	7.9 in				
LED	Duris™ E 5				
Number of LEDs	7 per section / 10.6 per ft				
Max. connection length	65.6 ft				
Operation voltage	24 V DC				
Max. operation voltage	25 V DC				
Dimmable	PWM dimming, 0-10V dimming				
Binning	± 50K				
Weight	0.8 oz/ft				
Expected lifetime	B50/L70 > 50,000 hours @ 104 °F				
Degree of protection (IP)	IP40 (IP68 with mirror welded connector)				
Storage temperature	-4 °F - 131 °F				
Operation temperature	-22 °F - 131 °F				
Minimal bending radius	1.2 in				
Max. connection length between -4 °F and -22 °F is 46 ft					

## Product Specifications - Deco Color

User Manual | OrgaLED® Deco, Power, High Power, Photon

<b>Deco Color Top</b>	<b>Red</b>	<b>Green</b>	<b>Blue</b>	<b>Amber</b>
Product code	011604	011605	011606	011603
Luminous flux	15 lm/ft	37 lm/ft	8 lm/ft	11 lm/ft
Luminous efficiency	11 lm/W	49 lm/W	15 lm/W	9 lm/W
Beam angle	110°			
Dimensions	0.47 x 0.24 in			

<b>Deco Color Side</b>				
Product code	011762	011763	011764	011761
Luminous flux	11.59 lm/ft	28.35 lm/ft	3.96 lm/ft	9.14 lm/ft
Luminous efficiency	8.9 lm/W	35.4 lm/W	7.92 lm/W	7 lm/W
Beam angle	55°			
Dimensions	0.47 x 0.24 in			

Power (24 V DC)	1.3 W/ft	0.7 W/ft	0.5 W/ft	1.3 W/ft
Power (25 V DC)	1.4 W/ft	0.8 W/ft	0.5 W/ft	1.4 W/ft
CRI	> 80	> 80	> 80	> 80
Wave length	617 nm	469 nm	525 nm	587 nm
Spool length	Max. 164 ft			
Section length	7.9 in			
LED	Top LED® long life			
Number of LEDs	7 per section / 10.6 per ft			
Max. connection length	65.6 ft			
Operation voltage	24 V DC			
Max. operation voltage	25 V DC			
Dimmable	PWM dimming, 0-10V dimming			
Binning	± 50K			
Weight	0.8 oz/ft			
Expected lifetime	B50/L70 > 50,000 hours @ 104 °F			
Degree of protection (IP)	IP40 (IP68 with mirror welded connector)			
Storage temperature	-4 °F - 131 °F			
Operation temperature	-22 °F - 131 °F1			
Minimal bending radius	1.2 in			
Max. connection length between -4 °F and -22 °F	is 46 ft			

## Product Specifications - Power White

User Manual | OrgaLED® Deco, Power, High Power, Photon

Power White Top	2400K	2700K	3000K	4000K	6500K
Product code	011857	011598	011600	011599	011609
Luminous flux	116 lm/ft	126 lm/ft	116 lm/ft	125 lm/ft	129 lm/ft
Luminous efficiency	85 lm/W	126 lm/W	116 lm/W	125 lm/W	104 lm/W
Beam angle	110°				
Dimensions	0.47 x 0.24 in				

### Power White Side

Product code	011876	011739	011741	011743	011742
Luminous flux	96 lm/ft	97 lm/ft	88 lm/ft	98 lm/ft	90 lm/ft
Luminous efficiency	70 lm/W	70 lm/W	67 lm/W	79 lm/W	73 lm/W
Beam angle	110°				
Dimensions	0.47 x 0.24 in				

Power (24 V DC)	1.3 W/ft	1.4 W/ft	1.3 W/ft	1.2 W/ft	1.2 W/ft
Power (25 V DC)	1.4 W/ft	1.4 W/ft	1.3 W/ft	1.3 W/ft	1.3 W/ft
CRI	>80	>80	>80	>80	>80
Spool Length	Max. 164 ft				
Section length	7.87 in				
LED	Durist™ E 5				
Number of LEDs	7 per section / 10.6 per ft				
Max. connection length	32.8 ft				
Operation voltage	24 V DC				
Max. operation voltage	25 V DC				
Dimmable	PWM dimming, 0-10V dimming				
Binning	± 50K				
Weight	0.8 oz/ft				
Expected lifetime	B50/L70 > 50,000 hours @ 104 °F				
Degree of protection (IP)	IP40 (IP68 with mirror welded connector)				
Storage temperature	-4 °F - 131 °F				
Operation temperature	-22 °F - 131 °F				
Minimal bending radius	1.2 in				
Max. connection length between -4 °F and -22 °F is 23 ft					

## Product Specifications - Power Color

Power Color Top	Red	Green	Blue	Amber
Product code	011860	011862	011861	011863
Luminous flux	31 lm/ft	46 lm/ft	20 lm/ft	28 lm/ft
Luminous efficiency	12 lm/W	31 lm/W	9 lm/W	11 lm/W
Beam angle	110°			
Dimensions	0.47 x 0.24 in			

### Power Color Side

Product code	011870	011872	011871	011873
Luminous flux	32 lm/ft	41.2 lm/ft	12.5 lm/ft	23.5 lm/ft
Luminous efficiency	5.1 lm/W	18.79 lm/W	2.73 lm/W	3.56 lm/W
Beam angle	110°			
Dimensions	0.47 x 0.24 in			

Power (24 V DC)	2.5 W/ft	1.5 W/ft	2.2 W/ft	2.5 W/ft
Power (25 V DC)	2.6 W/ft	1.5 W/ft	2.2 W/ft	2.6 W/ft
CRI	> 80	> 80	> 80	> 80
Wave length	467 nm	625 nm	525 nm	587 nm
Spool length	Max. 32.8ft			
Section length	3.93 in			
LED	Top LED® long life			
Number of LEDs	5 per section / 15.2 per ft			
Max. connection length	32.8 ft			
Operation voltage	24 V DC			
Max. operation voltage	25 V DC			
Dimmable	PWM dimming, 0-10V dimming			
Binning	± 50K			
Weight	0.8 oz/ft			
Expected lifetime	B50/L70 > 50,000 hours @ 104 °F			
Degree of protection (IP)	IP40 (IP68 with mirror welded connector)			
Storage temperature	-4 °F - 131 °F			
Operation temperature	-22 °F - 131 °F			
Minimal bending radius	1.2 in			
Max. connection length between -4 °F and -22 °F is 23 ft				



## Product Specifications - High Power

<b>High Power Top</b>	<b>2400K</b>	<b>2700K</b>	<b>3000K</b>	<b>4000K</b>	<b>6500K</b>
Product code	011858	011731	011732	011733	011734
Luminous flux	190 lm/ft	214 lm/ft	188 lm/ft	216 lm/ft	211 lm/ft
Luminous efficiency	70 lm/W	79 lm/W	74 lm/W	83 lm/W	81 lm/W
Beam angle	110°				
Dimensions	0.47 x 0.24 in (W x L)				

### High Power Side

Product code	011877	011735	011736	011737	011738
Luminous flux	152 lm/ft	166 lm/ft	154 lm/ft	170 lm/ft	170 lm/ft
Luminous efficiency	56 lm/W	61 lm/W	61 lm/W	65 lm/W	65 lm/W
Beam angle	55°				
Dimensions	0.47" x 0.47"				

Power (24 V DC)	2.7 W/ft	2.7 W/ft	2.5 W/ft	2.6 W/ft	2.6 W/ft
Power (25 V DC)	2.8 W/ft	2.8 W/ft	2.6 W/ft	2.7 W/ft	2.7 W/ft
CRI	> 80	> 80	> 80	> 80	> 80
Spool length	Max. 164 ft				
Section length	2 in				
LED	Duris™ E 5				
Number of LEDs	6 per inch / 36.5 per ft				
Max. connection length	32.8 ft				
Operation voltage	24 V DC				
Max. operation voltage	25 V DC				
Dimmable	PWM dimming, 0-10V dimming				
Binning	± 50K				
Weight	0.8 oz/ft				
Expected lifetime	B50/L70 > 50,000 hours @ 104 °F				
Degree of protection (IP)	IP40 (IP68 with mirror welded connector)				
Storage temperature	-4 °F - 131 °F				
Operation temperature	-22 °F - 131 °F1				
Minimal bending radius	1.2 in				
Max. connection length between -4 °F and -22 °F	is 23 ft				

## Product Specifications - Photon

Photon Top	2000K	2400K	2700K	3000K	4000K	6500K
Product code	011980	011981	011982	011983	011984	011985
Luminous flux	247 lm/ft	292 lm/ft	303 lm/ft	311 lm/ft	307 lm/ft	305 lm/ft
Luminous efficiency	77 lm/W	90 lm/W	112 lm/W	115 lm/W	124 lm/W	124 lm/W
Beam angle	110°					
Dimensions	0.47 x 0.24 in					

### Photon Side

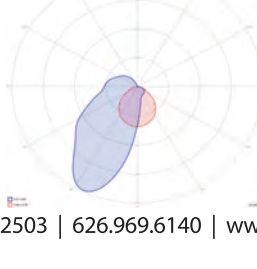
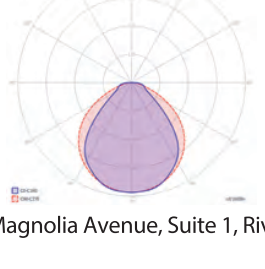
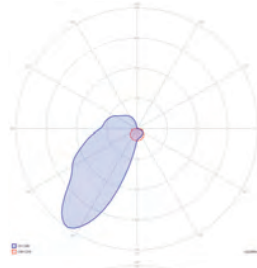
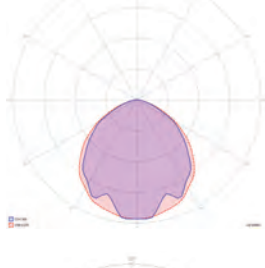
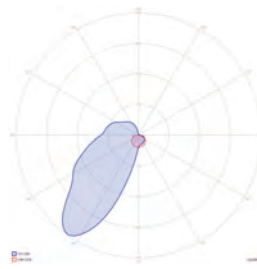
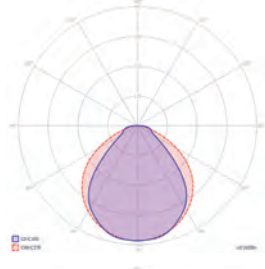
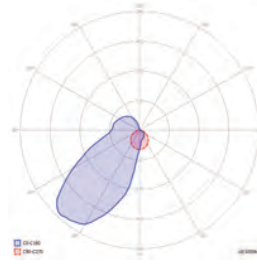
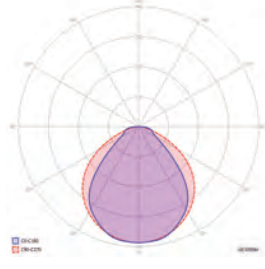
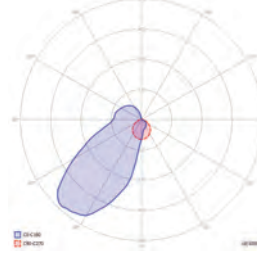
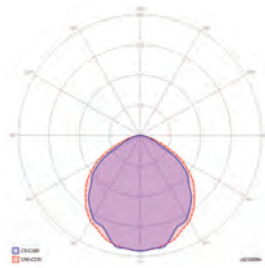
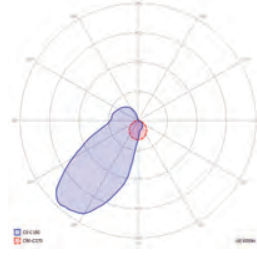
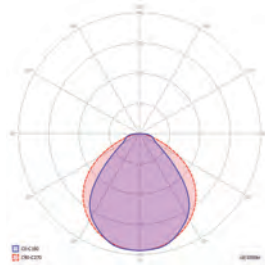
Product code	011986	011987	011988	011989	011990	011991
Luminous flux	212 lm/ft	243 lm/ft	252 lm/ft	254 lm/ft	253 lm/ft	253 lm/ft
Luminous efficiency	66 lm/W	75 lm/W	93 lm/W	94 lm/W	103 lm/W	102 lm/W
Beam angle	110°					
Dimensions	0.47 x 0.47 in					

Power (24 V DC)	3.2 W/ft	3.2 W/ft	2.7 W/ft	2.7 W/ft	2.4 W/ft	2.4 W/ft
Power (25 V DC)	3.3 W/ft	3.3 W/ft	2.8 W/ft	2.8 W/ft	2.5 W/ft	2.5 W/ft
CRI	> 80 ( >90 available in 27, 30 and 40K)					
Spool length	Max. 29.5 ft					
Section length	3.93 in					
LED	Nichia					
Number of LEDs	7 per section / 21.3 per ft					
Max. connection length	29.5 ft					
Operation voltage	24 V DC					
Max. operation voltage	25 V DC					
Dimmable	PWM dimming, 0-10V dimming					
Binning	± 50K					
Weight	0.8 oz/ft					
Expected lifetime	B50/L70 > 60,000 hours @ 104 °F					
Degree of protection	IP40 (IP68 with mirror welded connector)					
Storage temperature	-40 °F - 131°F					
Operation temperature	-22 °F - 131 °F2					
Minimal bending radius	1.2 in					
Max. connection length between -4 °F and -22 °F is 23 ft						


# Photometric Diagrams


## Symmetric (Top)


## Asymmetric (Side)




## Symbols


- 


UL is a world leader in product safety testing and certification. UL sets standards and tests products to make sure they meet standards.
- 

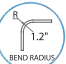
The ETL Listed mark indicates that your product has been tested by Intertek and found in compliance with accepted UL standards.
- 

Electro Static Discharge (ESD) sensitive device, apply standard ESD precautions when handling the product.
- 


Manufacturer's declaration that the product meets the applicable EC directives.
- 


Suitable for mounting on all surfaces and suitable to cover with insulating material.
- 


Restriction of Hazardous Substances (RoHS): product complies with the RoHS directive and each homogeneous material does not exceed the limits for the materials mentioned under the RoHS directive (Pb, Hg, Cd, Cr6+, PBB and PBDE).
- 


This product can be both IP40 and IP68 depending on the configuration and application. See the documentation for the exact IP rating.
- 


Bending of the LED strip is possible with a radius of  $\geq 1.2$  inches in the specified direction.
- 


Electrical appliance class III: this product is designed to be supplied from an extra-low voltage ( $\leq 60.0$  V DC or  $\leq 42.4$  V AC).
- 


System guarantee of 5 years when the complete system consist of OrgaLED® products with the 5 year system warranty logo.
- 


Product is resistant against ultraviolet (UV) light or sunlight. Non-UV resistant products can degrade or discolor fast when exposed to UV.
- 


Product can be cleaned with normal cleaning agents as specified in the datasheet under 'chemical compliances.'
- 

This product can be stored and used below 32 degrees Fahrenheit. Verify the minimum storage and operation temperature in the datasheet for the lowest temperature allowed.
- 

This product can be applied in seawater and its environment. Elements in seawater will have no harmful effect on the product. For chemical specifications see datasheet. Verify the IP rating for proper use.
- 

This product can be applied inside swimming pool environments. Elements in the air will have no harmful effect on the product. For chemical specifications of these elements see datasheet. Verify the IP rating for proper use.
- 

This product is available on request and can be submerged n swimming pools and their environments. Disinfectants will have no harmful effect on product. For chemical specifications of these elements see datasheet. Verify the IP rating for proper use.
- 

The CRI value of this product is 80 or higher.
- 

The binning tolerance of this product is 2 MacAdam.

## Disclaimer

The published information is checked to be as accurate as possible, however Organic Lighting, or any reseller of OrgaLED® cannot be held liable for any damages resulting from errors or outdated information. Organic Lighting reserves the right to modify the information without informing the costumers. When this document is printed or downloaded, please check for the latest version on the internet, the most up to date information will be published on [www.organiclighting.com](http://www.organiclighting.com). This product should not be used in applications, devices or systems where incorrect operation of the product may result in personal injury (includes emergency lighting) without written permission from the board of Organic Lighting. If nevertheless used in such applications, devices or systems Organic Lighting cannot be held liable for any resulting injury.