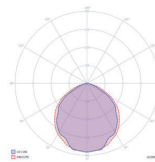
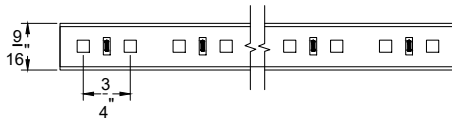
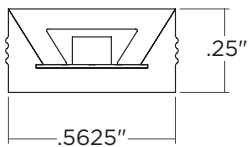


# AC LED Strip



- Driver-less AC LED up to 300ft without an additional power source to conceal.
- 2700K, 3000K, 3500K, 4000K, 5000K
- IP40; IP67 Wet location (specify connectors)
- 120V AC
- Factory cuttable every 12"
- Up to 300' for ACL-150 and 150' for ACL-400
- Bend radius 1.2"
- Made in EU/USA
- ETL / CE
- 5 year limited warranty; 50,000hrs white,
- Reverse Phase dimming
- UV/IR protected PVC encapsulation

Beam 120°



## PART NUMBER & SPECIFICATIONS

AC LED 150						
Part #	Color	Current (A)	CRI	lm/ft	W/ft	Bin
036000	2700K	350mA	> 90	215	1.5	±50
036002	3000K	350mA	> 90	215	1.5	±50
036004	3500K	350mA	> 90	215	1.5	±50
036006	4000K	350mA	> 90	215	1.5	±50
036008	5000K	350mA	> 90	215	1.5	±50
AC LED 400						
036020	2700K	350mA	> 90	525	4	±50
036022	3000K	350mA	> 90	525	4	±50
036024	3500K	350mA	> 90	525	4	±50
036026	4000K	350mA	> 90	525	4	±50
036028	5000K	350mA	> 90	525	4	±50

## ORGANIC LIGHTING®

Project

Type

Date

## ACCESSORIES



- 3' Power Cord w/ Plug #036050
- 6' Power Cord w/ Plug #036052
- 6' Power Cord Hardwire #036056



- 3' Jumper Cable #036060
- 6' Jumper Cable #036062
- 12" Jumper Cable #036064
- 24" Jumper Cable #036066



- Inline Connector #036075
- Elbow Connector #036076
- T-Connector #036077



- Power Pin #036115



- End Cap #036070

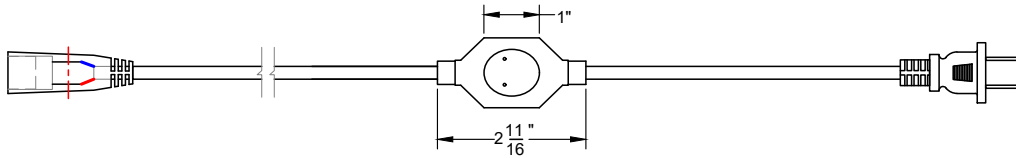


Specifications are correct at the time of publishing, but may be modified or improved in accordance with current electrical, safety or manufacturing methods without notification.

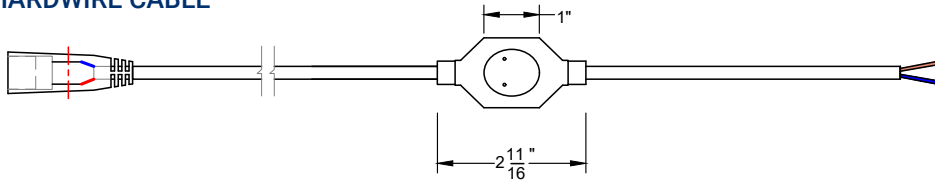
# AC LED Strip



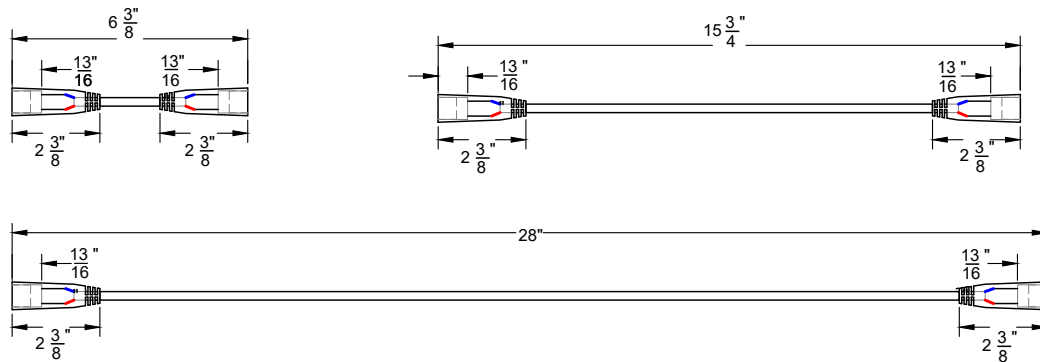
## PLUG AND PLAY CABLE



## HARDWIRE CABLE



## JUMPER CABLES



ORGANIC LIGHTING®

Project

Type

Date

## MOUNTING AND EXTRUSIONS.



AC LED Plastic Clip  
#036110

Aluminum Spring Clip  
#036112



39.4" Plastic Mounting Channel  
#036100



1" Line Extrusion  
#010982  
1" Line Frosted Lens  
#010959



2" Line Extrusion  
#010985  
2" Line Frosted Lens  
#010961



Specifications are correct at the time of publishing, but may be modified or improved in accordance with current electrical, safety or manufacturing methods without notification.