

LiniLED® Power Supplies Magnetic - 24V DC

Nema 3R Dimming LED Drivers



- Class 2 DC output
- 20W / 40W / 50W / 60W / 96W / 100W / 150W / 200W - 120V
- 60W / 150W / 200W - 277V
- Two auto-reset breakers in the input and output
- MLV TRIAC dimmer compatible
- Encased in a coated metal box that includes 2 knock-outs
- Nema 3R Enclosure - Outdoor use



Project
Type
Date

Specifications

Input Voltage

- 120V AC and 277V AC options

Coil Former

- Double Section Bobbin

Leads Primary

- PVC 600V #20

Leads Secondary

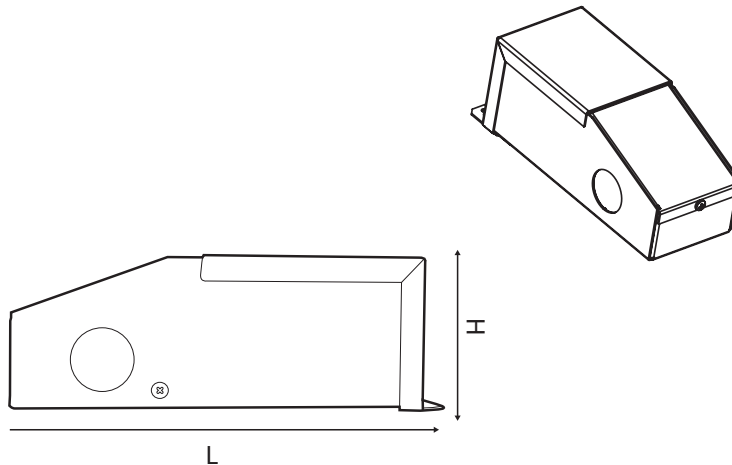
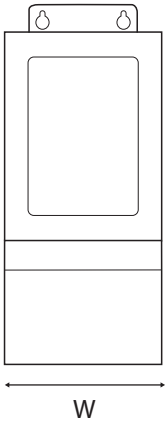
- PVC 300V #16

Thermal Class

- B130°C

Circuit Breaker

- primary and secondary auto reset



PART NUMBER & SPECIFICATIONS

120V Power Supplies		Input Current	Output	Average	Dimension	Weight
Part #	Watts	Load	Voltage Load	Efficiency	(LxWxH)	
011350	20W	270mA	21.89V DC	76%	5.6 x 2 x 2.14"	35oz
011351	40W	410mA	22.3V DC	82%	5.6 x 2 x 2.14"	35oz
011352	50W	0.79A	22.2V DC	85%	6.55 x 2.25 x 2.55"	50oz
011353	60W	0.95A	22.2V DC	85%	6.55 x 2.25 x 2.55"	50oz
011354	96W	0.96A	22.2V DC	85%	6.55 x 2.25 x 2.55"	50oz
011355	100W	0.96A	22.2V DC	85%	6.55 x 2.25 x 2.55"	50oz
011356	150W	1.95A	22V DC	85%	9.8 x 3 x 3"	87oz
011357	200W	2.51A	22.8V DC	87%	9.8 x 3 x 3"	87oz

277V Power Supplies		Input Current	Output	Average	Dimension	Weight
Part #	Watts	Load	Voltage Load	Efficiency	(LxWxH)	
011359	60W	2.51A	22.1V DC	81.9%	6.55 x 2.55 x 2.25"	50oz
011360	150W	0.95A	21.8V DC	84%	9.8 x 3 x 3"	87oz
011361	200W	1.95A	22.1V DC	80%	9.8 x 4.2 x 3.5"	87oz



Specifications are correct at the time of publishing, but may be modified or improved in accordance with current electrical, safety or manufacturing methods without notification.