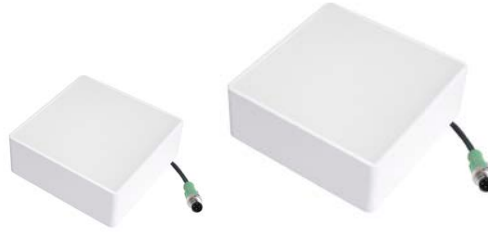


LiniLED® Marker Lights - 24V DC

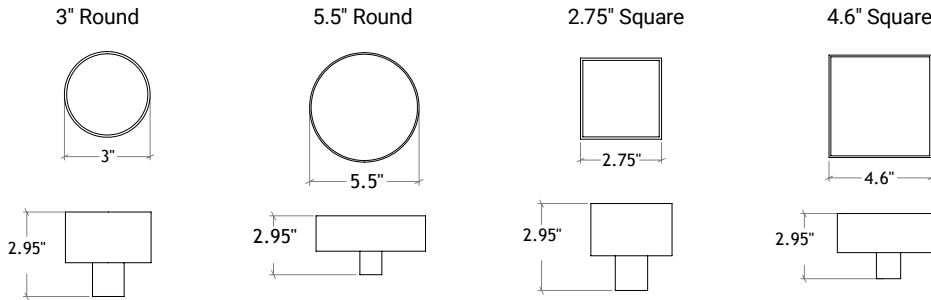
Marker Light Round

Marker Light Square



- Drive over applications 10,000lbs SPI
- IP68 rated
- Available in four dimensions (Round 3" and 5.5"; Square 2.75" and 4.6")
- Three lumen intensities (Deco 0.3W, Power 1.3W, High Power 2.89W)
- 2400K, 2700K, 3000K, 4000K, 6500K
- Red, Green, Blue, Amber

- 316 stainless steel with white powder coat
- Recessed mounting
- Weight: 1-2.5lbs
- Made in EU/USA
- ETL / CE
- 5 year limited warranty; 50,000hrs white, 100,000hrs color
- Dimmable 0-10V or Pulse Width Modulation



PART NUMBER & SPECIFICATIONS

Round Small 3"w x 3"h				Square Small 2.75"w x 3"h			
	Deco	Power	High Power		Deco	Power	High Power
2400K	013198	013216	013217	2400K	013238	013256	013257
2700K	013199	013208	013212	2700K	013248	013248	013252
3000K	013200	013209	013213	3000K	013240	013249	013253
4000K	013206	013210	013214	4000K	013246	013250	013254
6500K	013205	013211	013215	6500K	013245	013251	013255
RGB	013201			RGB	013247		
Amber	013201			Amber	013241		
Red	013202			Red	013242		
Green	013203			Green	013243		
Blue	013204			Blue	013244		

Round Large 5.5"w x 3"h				Square Large 4.6"w x 3"h			
	Deco	Power	High Power		Deco	Power	High Power
2400K	013218	013236	013237	2400K	013258	013276	013277
2700K	013219	013228	013232	2700K	013259	013268	013272
3000K	013220	013229	013233	3000K	013260	013269	013273
4000K	013226	013230	013234	4000K	013266	013270	013274
6500K	013225	013231	013235	6500K	013265	013271	013275
RGB	013227			RGB	013267		
Amber	013221			Amber	013261		
Red	013222			Red	013262		
Green	013223			Green	013263		
Blue	013224			Blue	013264		

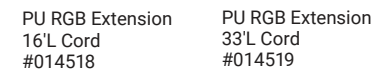
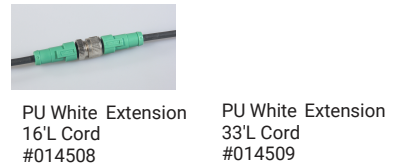
Project

Type

Date

ACCESSORIES

Marker Light housing are 316 stainless steel. Connections are IP68 rated.

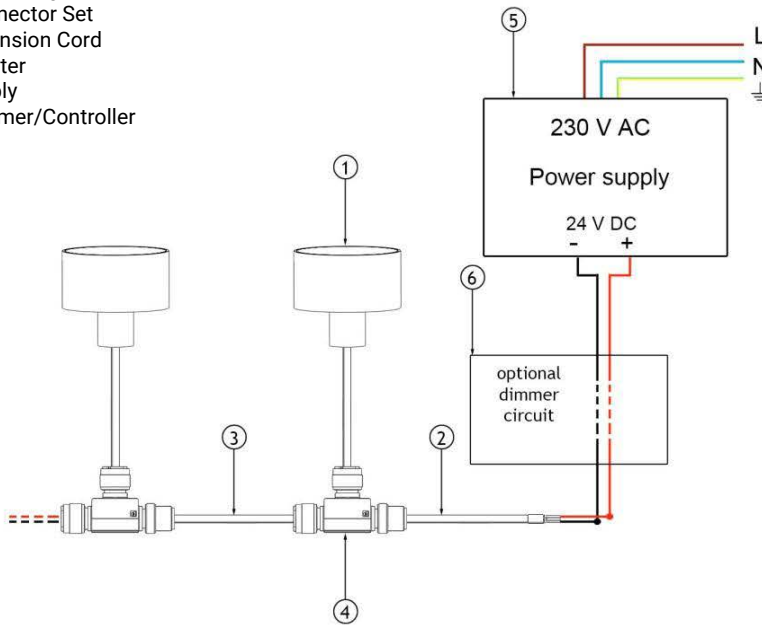


Specifications are correct at the time of publishing, but may be modified or improved in accordance with current electrical, safety or manufacturing methods without notification.

liniLED® Marker Lights - 24V DC

To calculate the total power consumption, the consumption of the individual marker lights can be summed up and multiplied with 110%.

- 1 liniLED Marker Light
- 2 liniLED Connector Set
- 3 liniLED Extension Cord
- 4 liniLED Splitter
- 5 Power Supply
- 6 liniLED Dimmer/Controller



Project

Type

Date

POWER SUPPLIES

24V DC; 0-10V and Magnetic Power Supplies options ranging from 25W-300W available.



- 0-10V; 120-277V
 25W, IP20 #011380
 40W, IP20 #011381
 60W, IP67 #011382
 75W, IP67 #011383
 100W, IP67 #011384

- Magnetic; IP67
 20W, 120V #011350
 40W, 120V #011351
 50W, 120V #011352
 60W, 120V #011353
 96W, 120V #011354
 100W, 120V #011355
 150W, 120V #011356
 200W, 120V #011357
 300W, 120V #011358
 60W, 277V #011359
 150W, 277V #011360

RGB DMX Controllers

DMX /DALI/0-10V Color Control, 4 control channels.



- Digital Controller
 100W #011343
 180W #011344
 720W #011345



- Digital Controller & Power Supply
 Combination
 100W #011341



- Dimwheel Controller
 #011342



Specifications are correct at the time of publishing, but may be modified or improved in accordance with current electrical, safety or manufacturing methods without notification.