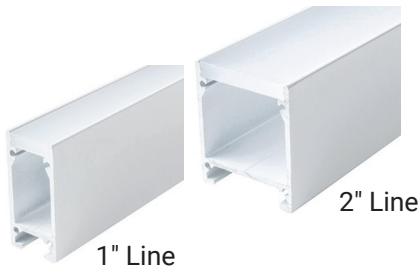
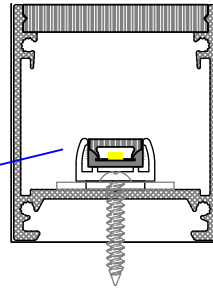


LiniLED® Line Extrusions



Project
Type
Date

- Surface, wall, floor, recess, inverted or suspended mounting
- Aluminum Extrusion, anodized
- Frosted or clear 3/16" thick heavy duty lenses with machined grooves allowing a secure flush finish
- Fix short sections of cuttable self adhesive PET channel (011369) with its 3M adhesive or a screw
- Push in pins and connection brackets on the back enable alignment of connected lengths for a seamless look
- Miter sections for 90° bends available
- Sold per foot, 6'6" standard lengths

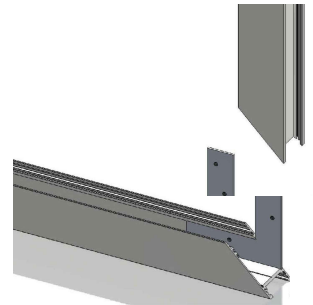


COMPATIBILITY

The 1" and 2" Line Extrusion are compatible with both the Top and Side emitting liniLED strips, AC LED and Aqueon Flat.

CUSTOM MITER CORNERS

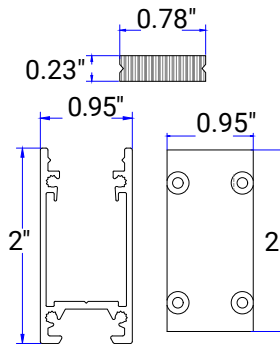
Custom corners are available for both the 1" and 2" Line Extrusion.



PART NUMBER & SPECIFICATIONS

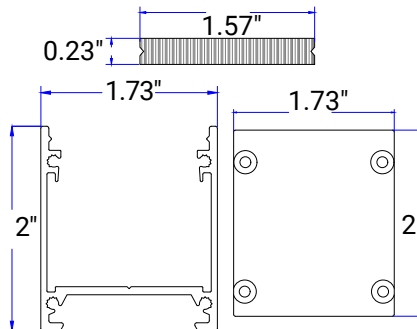
1" Line Extrusion

Part #	Description
010982	1" Line Extrusion, White
010969	1" End Cap, White Blank
010969H	1" End Cap, White with Power Hole
010969S	1" End Cap, white with liniLED ExitHlot
010977	1" Mounting Clip
010959	1" Frosted Lens
010966	1" Clear Lens



2" Line Extrusion

Part #	Description
010985	2" Line Extrusion, White
010971	2" End Cap, White Blank
010971H	2" End Cap, White with Power Hole
010971S	2" End Cap, White with liniLED Exit Slot
010979	2" Mounting Clip
010961	2" Frosted Lens
010967	2" Clear Lens



Specifications are correct at the time of publishing, but may be modified or improved in accordance with current electrical, safety or manufacturing methods without notification.