

LiniLED® Array Plus

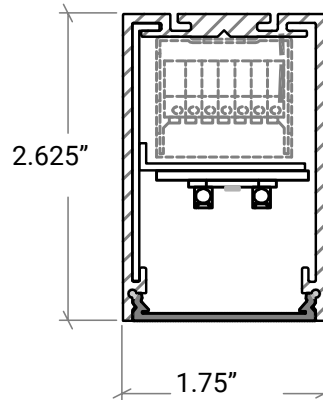


Project

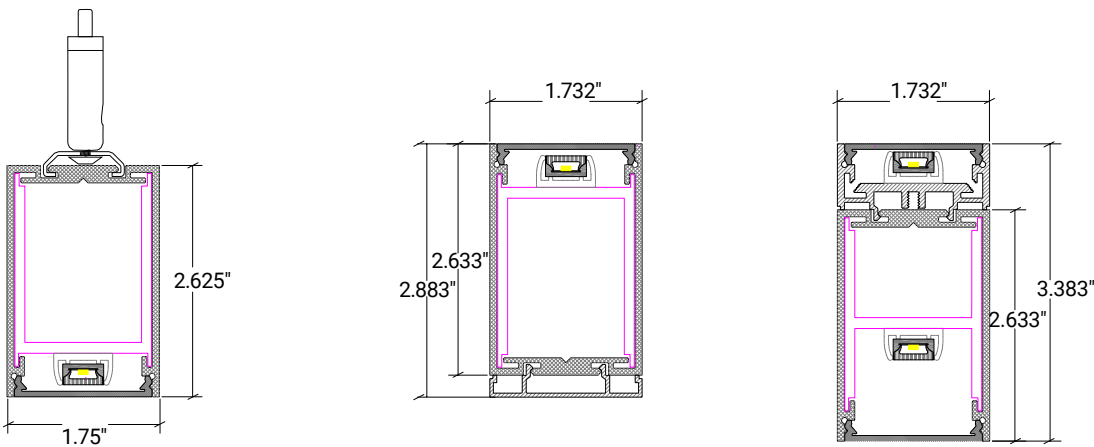
Type

Date

- Can be used with liniLED® PCB or Top LED strips, AC LED or Aqueon.
- Color temperatures: 2400K, 2700K, 3000K, 4000K, 6500K, Red, Green, Blue Amber and RGB.
- Life >50,000 hours (LM79)
- Choice of integral Universal Voltage (120-277V), electric driver or integral 347V electronic drivers – in either Non-Dim or 0-10v / 10% Dimming.
- Optional Emergency Battery Pack available.
- Anodized aluminum or polyester powdercoat in black or white. Custom colors at added cost.



Connecting
Interlocking angle and straight connections available.



PART NUMBER & SPECIFICATIONS

Array Plus

Part #	Description
010990	Array Plus Extrusion
010992	Array Plus Small Extrusion Indirect/Direct
010994	Array Plus Extrusion Cover
010995	Array Plus Direct Pendant Clip
010996	Array Plus End Cap
010997	Array Plus Indirect Pendant Clip
KLVC242	Low Voltage Suspension Cable



Specifications are correct at the time of publishing, but may be modified or improved in accordance with current electrical, safety or manufacturing methods without notification.