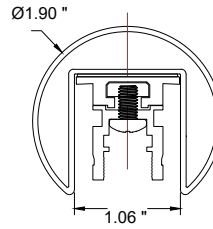


liniLED® LED Illuminated Handrail

ROUND Ø 1.90"



Project
Type
Date

FEATURES

- Heavy duty stainless steel handrail: AISI 316
- Dimensions: 1.90" OD
- Curved handrail (10 ft. radius or greater) is available upon request CHANNEL for continuous liniLED® Top LED strip
- Energy efficient and dimmable
- The liniLED® strip press fits securely into the channel
- Wall and post brackets are designed for quick and easy installation
- Available in various colors and luminous intensities
- Manufactured in the US/EU
- ADA compliant

OPTICS

- liniLED® LED strips available in three white luminous intensities:
- Low output (Deco 33-39 lm/ft)
 - Medium output (Power 113-122 lm/ft)
 - High output (High Power 227-257 lm/ft)
 - Warm White 2700K and 3000K, and Natural White 4000K

LENS



MOUNTING

Wall or post mounted, glass infill option or glass wall/panel mounting.
* Glass by others.

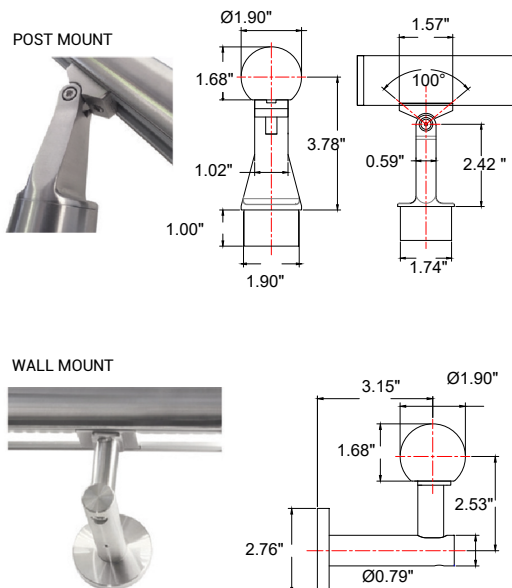
CONNECTING

The maximum unit length of the handrail is 16.4ft and can easily be connected mechanically or by welding. All handrails can be applied indoor and outdoor.

STANDARD AND CUSTOMIZED ANGLES

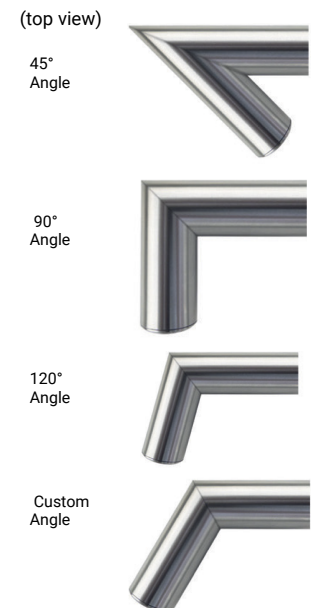
There are three standard angles for the liniLED® Handrails: 45°, 90° and 120°. Other angles can be customized upon request.

MOUNTING DIMENSIONS



CURVES & SPIRAL CURVES

2D curved rails create horizontal curved rails.
3D curved rails for spiral stairways require horizontal and vertical bending with special alignment techniques with welded and polished sections according to the spiraling details.



Specifications are correct at the time of publishing, but may be modified or improved in accordance with current electrical, safety or manufacturing methods without notification.

liniLED® LED Illuminated Handrail

ROUND Ø 1.90"

HOW TO SPECIFY YOUR ENERGY EFFICIENT HANDRAIL

As each lighting project is unique, all the components of the liniLED® LED Illuminated Handrail are professionally customized. Therefore, it is of great importance to provide fully dimensioned plans, DWG files and detailed drawings, in addition to the useful menu below.



Project

Type

Date

ILLUMINATED HANDRAIL TECHNICAL INFORMATION

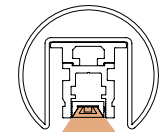
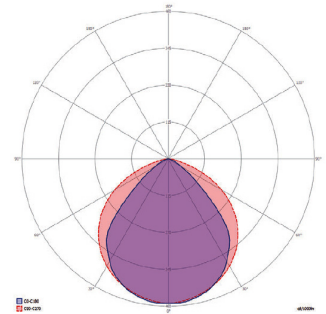
Profile	Length	LED	CCT	Beam	Mount	Lens	Connector	Options
HR2	_____	_____	_____	_____	_____	_____	_____	_____
HR2 1.9"	X length in feet	D Deco 0.3W/ft P Power 1.28W/ft HP High Power 2.89W/ft	27 2700K 30 3000K 40 4000K RG RGB R Red G Green B Blue A Wildlife Amber	A Asym. S Sym.	P Post W Wall	LC Clear LF Frosted	I Interior (IP40) E Exterior (IP67)	PR Post Return WR Wall Return IN Interlinking EC End Cap CV2D Curved 2D CV3D Curved 3D (spiral) N None

ADDER ACCESSORIES

Profile	Elbows/Accessories
HR2	_____
HR2 1.9"	45V 45° Vertical 90V 90° Vertical 120V 120° Vertical 45H 45° Horizontal 90H 90° Horizontal 120H 120° Horizontal FL Flange Kit CU Custom

Profile	Infills
HR2	_____
HR2 1.9"	GB Glass Brackets RL Railing CL Cables

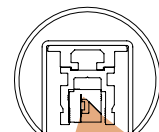
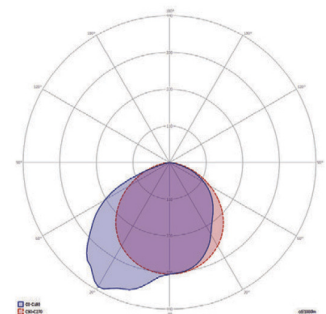
SYMMETRIC DIAGRAM



Full cut-off

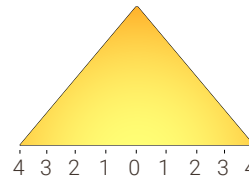
ASYMMETRIC DIAGRAM

NOTE: Can only be used on the 1.9" diameter handrail



Full cut-off

liniLED® ILLUMINATED HANDRAIL TYPICAL FC. LEVELS



Handrail Model	Handrail Height	0	1'	2'	3'	4'
Symmetric FC Levels						
Deco 3000K	34.5" H	4.3	3.5	1.9	0.69	0.24
Power 3000K	34.5" H	16	16	7	2.5	0.72
High Power 3000K	34.5" H	27	27	12	5.7	1.4
Asymmetric FC Levels						
Deco 3000K	34.5" H	1.4	1.4	0.98	0.49	0.25
Power 3000K	34.5" H	5.4	5.5	3.8	2	0.98
High Power 3000K	34.5" H	?	?	?	?	?



Specifications are correct at the time of publishing, but may be modified or improved in accordance with current electrical, safety or manufacturing methods without notification.