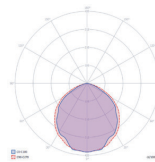
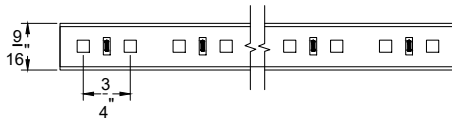
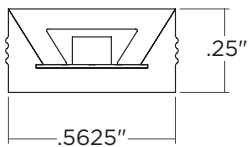


AC LED Strip



- Driver-less AC LED up to 300ft without an additional power source to conceal.
- 2700K, 3000K, 3500K, 4000K, 5000K
- IP40; IP67 Wet location (specify connectors)
- 120V AC
- Factory cuttable every 12"
- Up to 300' for ACL-150 and 150' for ACL-400
- Bend radius 1.2"
- Made in EU/USA
- ETL / CE
- 5 year limited warranty; 50,000hrs white,
- Reverse Phase dimming
- UV/IR protected PVC encapsulation

Beam 120°



PART NUMBER & SPECIFICATIONS

AC LED 150						
Part #	Color	Current (A)	CRI	lm/ft	W/ft	Bin
036000	2700K	350mA	> 90	215	1.5	±50
036002	3000K	350mA	> 90	215	1.5	±50
036004	3500K	350mA	> 90	215	1.5	±50
036006	4000K	350mA	> 90	215	1.5	±50
036008	5000K	350mA	> 90	215	1.5	±50
AC LED 400						
036020	2700K	350mA	> 90	525	4	±50
036022	3000K	350mA	> 90	525	4	±50
036024	3500K	350mA	> 90	525	4	±50
036026	4000K	350mA	> 90	525	4	±50
036028	5000K	350mA	> 90	525	4	±50

ORGANIC LIGHTING®

Project

Type

Date

ACCESSORIES



3' Power Cord w/ Plug
#036050

6' Power Cord w/ Plug
#036052

6' Power Cord Hardwire
#036056



3' Jumper Cable #036060

6' Jumper Cable #036062

12" Jumper Cable #036064

24" Jumper Cable #036066



Inline Connector
#036075

Elbow Connector
#036076

T-Connector
#036077



Power Pin
#036115



End Cap
#036070

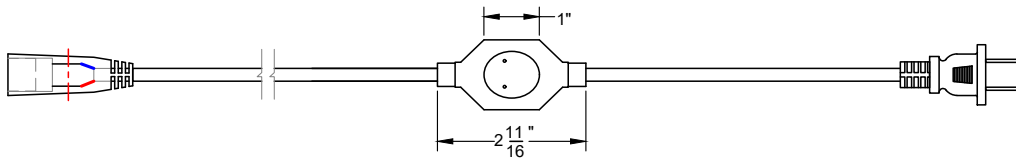


Specifications are correct at the time of publishing, but may be modified or improved in accordance with current electrical, safety or manufacturing methods without notification.

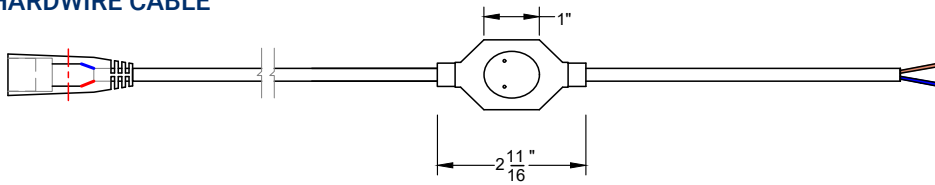
AC LED Strip



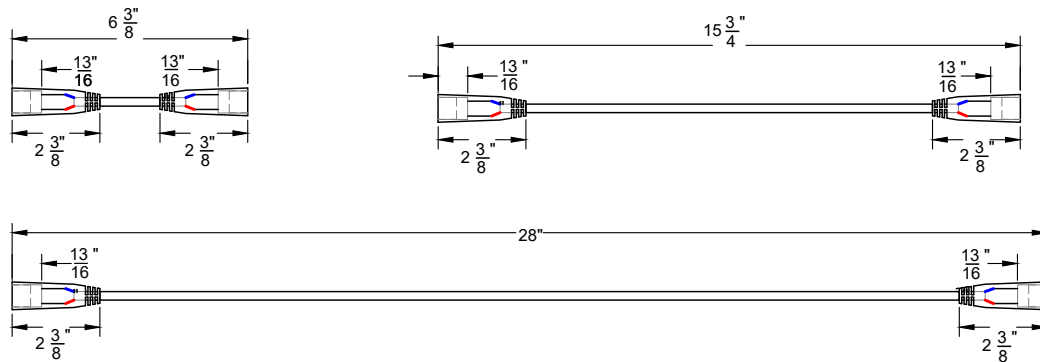
PLUG AND PLAY CABLE



HARDWIRE CABLE



JUMPER CABLES



ORGANIC LIGHTING®

Project

Type

Date

MOUNTING AND EXTRUSIONS.



39.4" Plastic Mounting Channel #036100



1" Line Extrusion #010982
1" Line Frosted Lens #010959



2" Line Extrusion #010985
2" Line Frosted Lens #010961



Specifications are correct at the time of publishing, but may be modified or improved in accordance with current electrical, safety or manufacturing methods without notification.