

# LiniLED® Wall/Floor Extrusion



Project

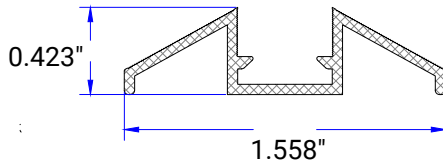
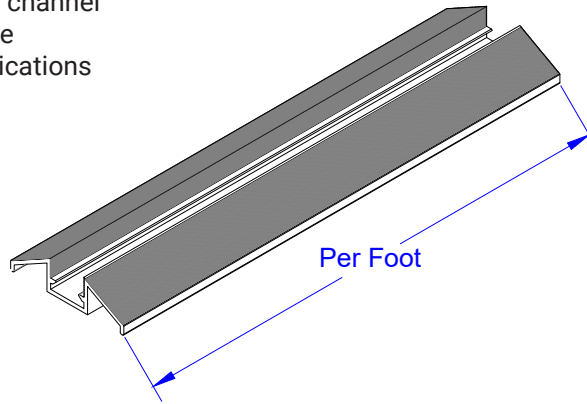
Type

Date

- Mounts with screws to any surface
- Decorative or walk-over channel which liniLED push-fits into
- Screw heads recess in to the lower channel allowing liniLED to fit flat and secure
- Angled sides enable walk-over applications

## COMPATIBILITY

The Wall/Floor Extrusion is compatible with liniLED Top emitting.



## PART NUMBER & SPECIFICATIONS

### Wall/Floor Extrusion

Part #	Description
011593	Wall/Floor Extrusion, Silver
011595	Wall/Floor Extrusion, Black



Specifications are correct at the time of publishing, but may be modified or improved in accordance with current electrical, safety or manufacturing methods without notification.