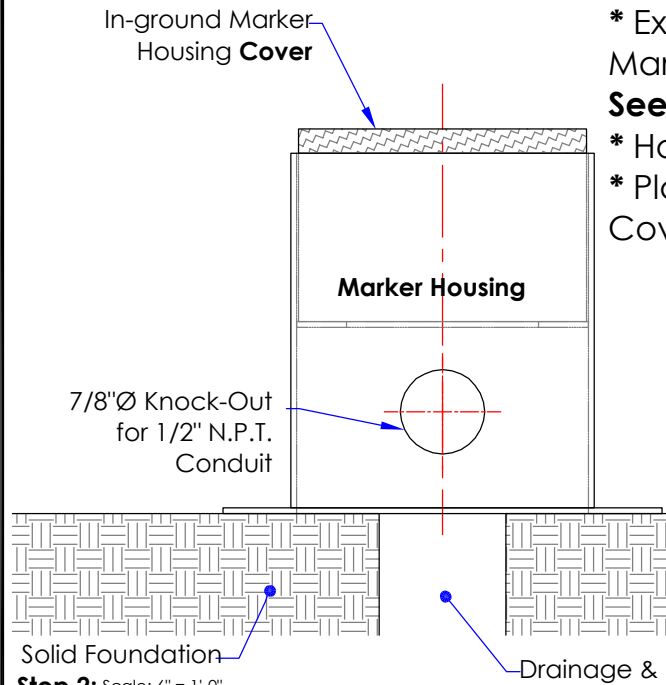
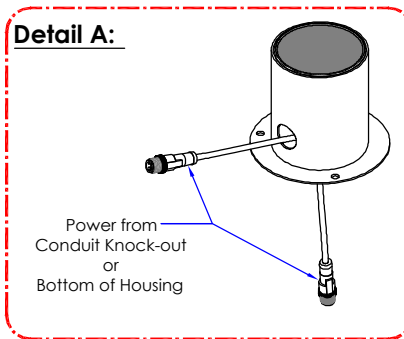


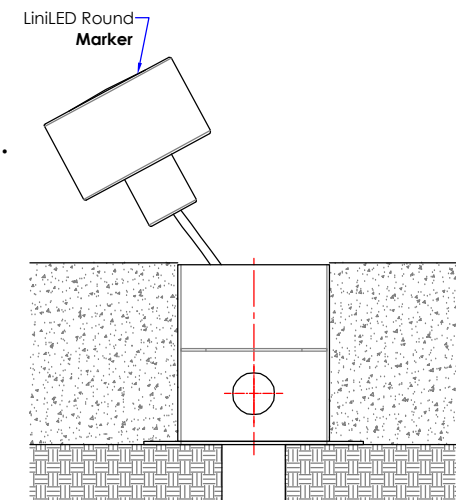
**Step 1:** Scale: 6" = 1'-0"



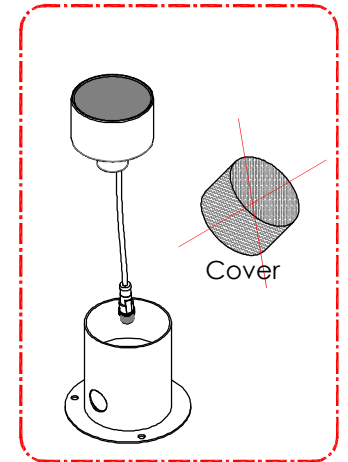
- \* Excavate soil for "In-ground Marker Housing" and conduit Run. **See Detail A.**
- \* Housing to sit on Solid Foundation.
- \* Place protective Marker Housing Cover" on housing.



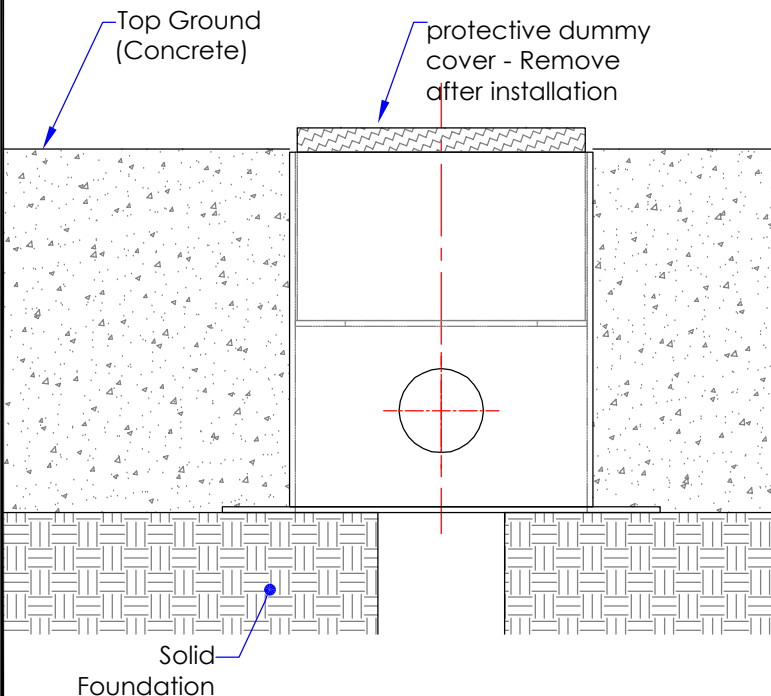
**Step 3:** Scale: N.T.S.



- \*Remove cover.
- \*to install Marker light

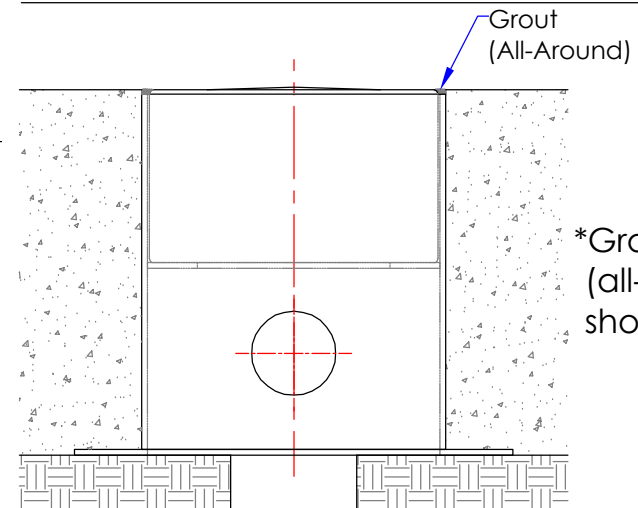


**Step 2:** Scale: 6" = 1'-0"



\*Level the surface to the housing height.

**Step 4:** Scale: 6" = 1'-0"



	NAME	DATE
DRAWN BY:	EO	03/04/15
CHECKED		
ENG REVISION:	LS	7/28/20
MATERIAL:		
FINISH:		
UNLESS OTHERWISE SPECIFIED: DIMENSIONS ARE IN INCHES TOLERANCES: FRACTIONAL ± 1/16 ANGULAR: MACH ±0.5 BEND ± 0.03 TWO PLACE DECIMAL ±.030 THREE PLACE DECIMAL ±.015		
ORDER #	-	

**ORGANIC LIGHTING SYSTEMS**

511 N. Virginia Ave.  
Azusa, Ca. 91702. USA  
Ph: 626.969.6820 Fax: 626.696.6830 Web: organiclighting.com

TITLE:  
**Round Marker & Housing Installation**

SIZE	DWG. NO.	REV
<b>A</b>	-	