

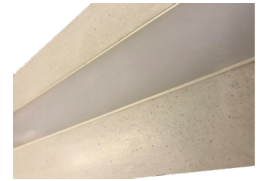
Project

Type

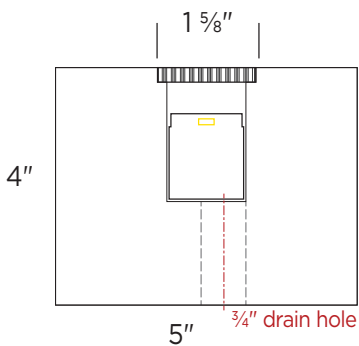
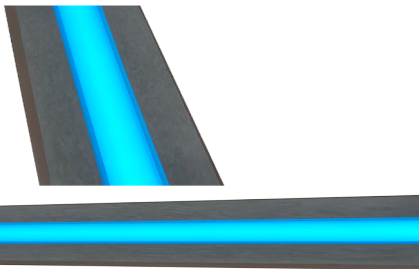
Date

InGround Pre-cast LED Lines and Shapes

120V and 24V buriable drive-over fixtures; RGB Monocolors



InGround Pre-cast LED Lines and Shapes



1 5/8" diffuser (5" x 4" Body)

Accessories



Jumper Cable

InGround Pre-cast LED Lines and Shapes

Overcoming the high cost and limitations of only straight lines of light has been made easy with Organic Lighting's revolutionary concrete polymer fixture designs. Flawless installation with the drive-over resistance of structural concrete and flawless finishes to match any architectural conditions. IP68 quick-connects. 120/277V or 24VDC Color temperatures: 2400K, 2700K, 3000K, 4000K, and 6500K. Also available in RGB, Red, Green, Blue, and Amber. May be integrated into floor and paving; perfectly suited for public applications.

Walkover models and drive-over applications up to 15,000 lbs. 5 year warranty (50,000 hours).

IGPC Features:

- Quick installation - Interlocking cast polymer concrete fixtures in 36" long sections.
- Custom shapes can be specified - circles, curves, etc.
- Special surface finishes available.
- 120/277V with DMX - programmable 12" sections.
- 24VDC models.

InGround Pre-cast LED Lines and Shapes Specifications

Material	Cast polymer concrete, reinforced steel, aluminum, polycarbonate housing, with impact resistant diffusing lenses. Suitable for harsh environments. Salt water and chemical resistant. RoHS; Recyclable.
Weight	Drive-over applications 5,000 lbs and up to 15,000 lbs.
Warranty	50,000 hours; 5 year limited warranty.
Electrical	Choice of magnetic driver, Universal Voltage (120-277V), electronic driver or 347V electronic drivers - in either Non-Dim or 0-10v / 10% Dimming.
Surface Finish	Natural white or Custom.
Mounting	In-ground installation.
Connector Sets	Connections are rated IP68.
Accessories	Starter and jumper cables.
Options	Standard design or Custom design.

ACCESSORIES

Part No.	Description
Starter Cable - Connect to Power	
12SC5P	12" Starter Cable 120/277V DMX
24SC5P	24" Starter Cable 120/277V DMX
48SC5P	48" Starter Cable 120/277V DMX
Jumper Cable - Connect 2 fixtures	
12J5P	12" Jumper Cable 120/277V DMX
48J5P	24" Jumper Cable 120/277V DMX
48J5P	48" Jumper Cable 120/277V DMX
Endcap - Fit to the wirelead at the end of a run	
EC5P	EndCap (120V or 24V) HIGH LTW end cap

Specifications are correct at the time of publishing, but may be modified or improved in accordance with current electrical, safety or manufacturing methods without notification.

