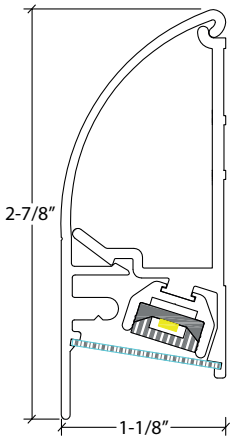
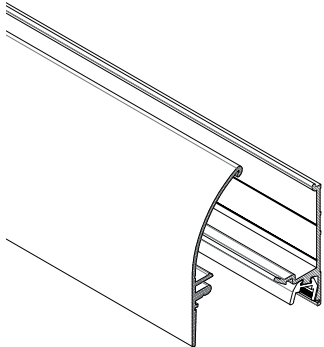


Project	Type	Date
---------	------	------

Cove Extrusion

Three Profiles: Standard, Asymmetric, Narrow

Aluminum extruded cove
 Dimensions for all profiles: 1-1/8" w x 2-7/8" h
 Two piece extrusion with a channel for liniLED[®] Top LED strip
 The back extrusion separates for mounting on the wall or surface with screws
 The front decorative extrusion press-clicks into place to conceal the screws
 The liniLED[®] strip press fits securely into the upper channel
 Polycarbonate lens is available



Construction

Extruded aluminum housing. Max length is 16'.
 Precision machined steel endcaps.
 Wire through connections.

Lens options

Snap-in polycarbonate lens, in your choice of clear or diffused.
 Max length is 48".

Optics

Choice of standard, asymmetric or narrow beam.

End caps

Precision machined steel end caps.

Mounting

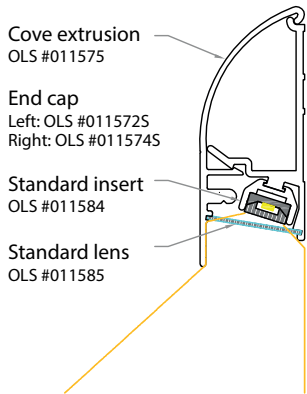
Surface or wall mounted with screws.

Finish

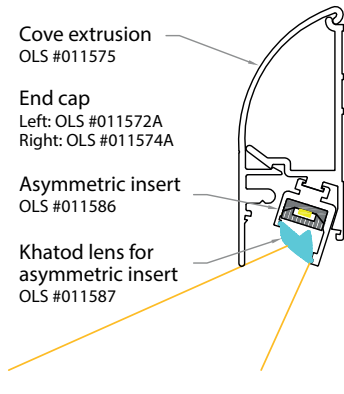
Anodized aluminum, White or Black polyester powder coat applied over a 5 stage pretreatment.
 Custom colors at added cost.

Connectors

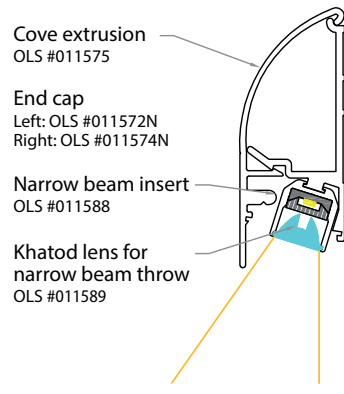
Mitered corners available, consult factory.



Standard Lens



Asymmetric Lens



Narrow Beam

Specifications are correct at the time of publishing, but may be modified or improved in accordance with current electrical, safety or manufacturing methods without notification.

