

Power Supplies: NEMA 4 Box + Subpanel Wet enclosure

NEMA 4 JIC Lift-Off Cover Wall-Mount Box

Designed for use as instrument housings, electrical control enclosures, terminal wiring boxes or electrical junction boxes.

Provides protection where equipment is hosed down, very wet, or in outdoor applications.

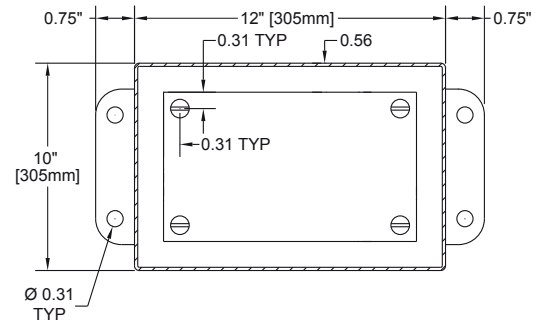
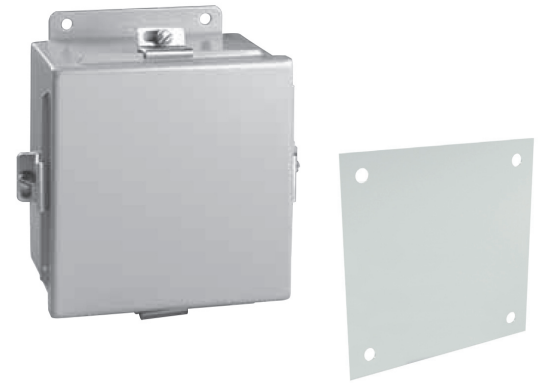
NEMA 4 Subpanel (order separately)

14 gauge steel

Painted steel is white polyester powder over phosphatized surfaces

Panels listed fit the following enclosures:

NEMA 4 (N) and 4X (SSN) single door wall mount



OLS Part #	Model	Dimensions	Construction	Finish
011300	NEMA 4 Box	12"H x 10"W x 5"D 305 x 254 x 127	Body: 14 gauge Doors: 16 gauge	ANSI-61 gray polyester powder
011301	NEMA 4 Subpanel	See below	14 gauge	white polyester powder

NEMA 4 Box

Construction

Body 14 gauge steel

Doors 16 gauge steel

Continuously welded seams ground smooth, less knockouts or holes

Closed cell oil resistant neoprene gasket

External mounting plate, top and bottom of enclosure

Weldnuts are provided to secure optional panel

Stainless steel screws and clamps on four sides of cover to assure water tight seal

Grounding provisions provided

Optional back panels and terminal kits must be ordered separately

Finish

ANSI-61 gray polyester powder inside and out

Optional back panels are white polyester powder

Optional "G" panels have a conductive finish

Safety Certifications

UL 50, CSA certified, NEMA/EEMAC, JIC EL-1-71

NEMA 4 Subpanel

Construction

Panel 14 gauge steel

Dimensions

inches [mm]

