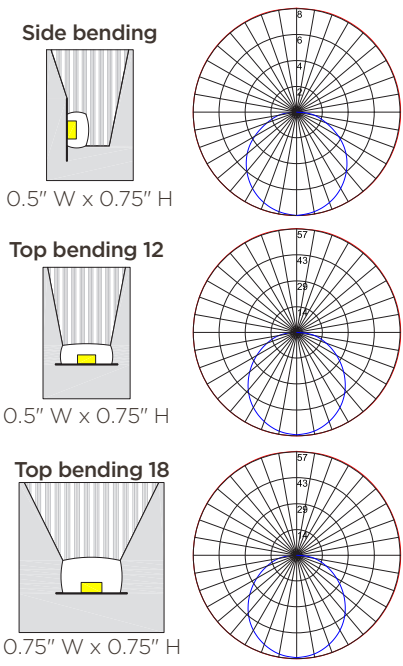


Project	Type	Date
---------	------	------

liniLED® Diffused - 24V DC

2400K, 2700K, 3000K, 4000K, 6500K

- Only 2.8 W/ft.
- Top and Side (asymmetric)
- Hollow chamber extrusion protects phosphors
- Very flexible (bend radius >1.2")
- Dimmable
- Osram LEDs
- Live >50,000 hours (LM79)
- Professional quality manufacture
- Made in EU/USA



Accessories and Extrusions



Specifications are correct at the time of publishing, but may be modified or improved in accordance with current electrical, safety or manufacturing methods without notification.
6/2018



liniLED® Diffused

Suitable for exterior or interior, liniLED® Diffused uses 2.8W per ft. Mount directly with brackets, self-adhesive transparent channels, or aluminum extrusions. liniLED® Top enables vertical bends and liniLED® Side enables horizontal curves for circular coves or columns. Dimmable with 0-10v; wireless Bluetooth; or select direct 120V dimmable drivers. Choose Top bending or Side bending with the built-in reflector to meet the unique requirements of your installation.

Manufactured completely in the US/EU as a single piece very flexible PVC co-extrusion with built-in reflectors to protect the Osram LEDs and electronic circuits, guarantees the quality and phosphor color stability. The unique hollow chamber ensures that there is no pressure on the LEDs, ensuring phosphor color stability and LED lifetime. Field cuttable every 2" for installation in continuous runs up to 33ft. Push fit connectors enable easy on-site connection or order as preassembled cut and connected lengths.

liniLED® Diffused Specifications

LED	Osram Duris® E3
Number of LEDs	6 per section / 36 per ft
LED White	2400K / 2700K / 3000K / 4000K / 6500K
Beam / Flux	34 lm/ft to 60 lm/ft
Dimensions	Top 12: H 0.75" x W 0.50"; Top 18: H 0.75" x W 0.75" Side: H 0.75" x W 0.5"
Length	Change to Up to 33; cut every 2"
Bend Radius	6"
Indoor or Outdoor	IP68 with Mirror welded connectors
Watts and Voltage	24VDC; 2.8 W/ft; ETL / CE
Material	UV/IR protected PVC encapsulation
Dimmable	Pulse Width Modulation, or 0-10V; or 120V Electronic with special power supply
Life	50,000 hours white; Up to 60,000 hours for colors (mfc. data at 104°F) LM-79, 5 year limited warranty
24VDC	Select appropriate wattage power supplies, according to run length and number of runs
Accessories	Mount directly with brackets, self-adhesive transparent channels, or in our aluminum extrusions and select Power supplies from our extensive range. Organic Lighting provides a full range of accessories for mounting, powering, and controlling.

OLS Part #	OLS Part #	OLS Part #	Max	Current	lm/ft	lm/ft	lm/ft	W/ft	Bin			
Top 12	Top 18	Side	length	V/DC	Top 12	Top 18	Side					
011829	011799	011819	2400K	33 ft.	36	24	350mA > 80	50.91	60.98	31.10	2.8	±50
011830	011800	011820	2700K	33 ft.	36	24	350mA > 80	56.40	67.07	34.45	2.8	±50
011831	011801	011821	3000K	33 ft.	36	24	350mA > 80	51.52	59.76	30.79	2.8	±50
011832	011802	011822	4000K	33 ft.	36	24	350mA > 80	55.18	64.94	35.37	2.8	±50
011833	011803	011823	6500K	33 ft.	36	24	350mA > 80	56.10	68.90	33.84	2.8	±50

