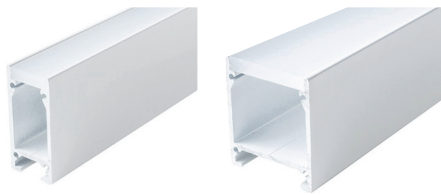


Project

Type

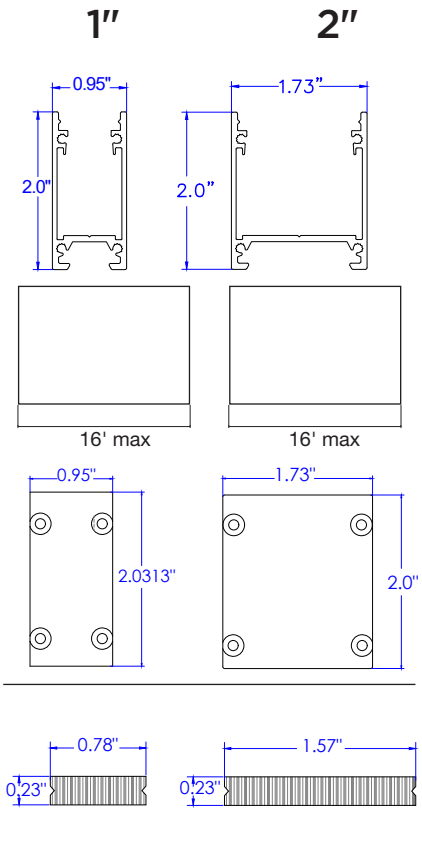
Date

# 1" & 2" Line Extrusion



liniLED® 1" Line Extrusion

liniLED® 2" Line Extrusion



\*Hardware not included



PET Channel  
(Needed when using liniLED® Top)

## Mounting Channels

OLS Part #	Description
011368	P.E.T. White Mounting Channel - self adhesive/screwable, Cuttable L39", 0.5"
011369	P.E.T. Clear Mounting Channel - self adhesive/screwable, cuttable L39", 0.5"
011370	P.E.T. Clear Mounting Channel - self adhesive/screwable, Cuttable L39", 0.75"
011372	P.E.T. White Mounting Channel - self adhesive/screwable, Cuttable L39", .75"

## liniLED® 1" & 2" Line Extrusion

Decorative paint finished Line extrusions can be mounted on surfaces, in walls, floors, in shallow recesses, or invert and suspend from adjustable aircraft cable as a minimalist light diffusing housing for liniLED strip. Simply drill and screw the profile directly to a structure. Frosted or Clear 3/16" thick heavy duty lenses with machined grooves push securely in place for a flush finish.

Fix short sections of the cuttable self adhesive liniLED PC Mounting channel into the profile and you have a perfect line of continuous light for up to 66 ft with liniLED Deco, 33 ft with liniLED Power, or 33 ft with liniLED High Power, without shadows or breaks.

Push in pins and connection brackets on the back enable alignment of connected lengths for a seamless look.

Miter sections for 90° bends and connect liniLED with miniature 90° "L" power connectors, which fit flush inside the extrusion.

### liniLED® 1" Line Extrusion

1" Extrusion		Acrylic Lens
Dimensions	W0.95"xH2"	W0.5"xH0.198"
Material	Aluminum	Clear or Frosted Acrylic
Trim	White Polyester	
Length	16' max	6'6"
Weight	9oz per ft	2oz per ft
Used with	liniLED® 1" Acrylic Lens, 1" End Cap	

OLS Part #	Description
010982	1" Line Profile, White, per foot
010969	1" End Cap, White Blank
010969H	1" End Cap, White with Power Hole
010969S	1" End Cap, White with liniLED Exit Slot
010977	1" Mounting Clip
010959	1" Frosted Lens
010966	1" Clear Lens

### liniLED® 2" Line Extrusion

2" Extrusion		Acrylic Lens
Dimensions	W1.73"xH2"	W1.58"xH0.198"
Material	Aluminum	Clear or Frosted Acrylic
Trim	White Polyester	
Length	16' max	6'6"
Weight	9oz per ft	2oz per ft
Used with	liniLED® 2" Acrylic Lens, 2" End Cap	

OLS Part #	Description
010985	2" Line Profile, White, per foot
010971	2" End Cap, White Blank
010971H	2" End Cap, White with Power Hole
010971S	2" End Cap, White with liniLED Exit Slot
010979	2" Mounting Clip
010961	2" Frosted Lens
010967	2" Clear Lens

Specifications are correct at the time of publishing, but may be modified or improved in accordance with current electrical, safety or manufacturing methods without notification.