

Project

Type

Date

Cove Indirect

Three Profiles: Standard, Asymmetric, Narrow

Aluminum extruded cove

Dimensions for all profiles: 1-1/8" w x 2-7/8" h

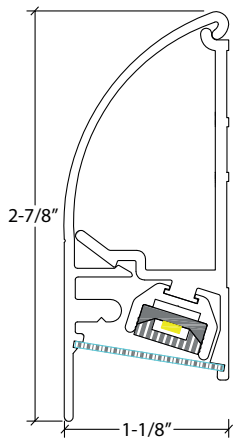
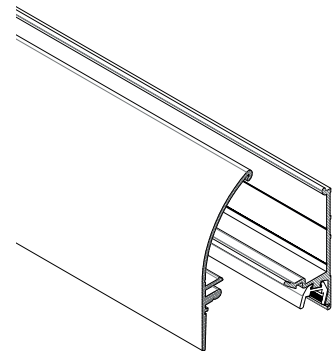
Two piece extrusion with a channel for liniLED[®] Top LED strip

The back extrusion separates for mounting on the wall or surface with screws

The front decorative extrusion press-clicks into place to conceal the screws

The liniLED[®] strip press fits securely into the upper channel

Polycarbonate lens is available



Construction

Extruded aluminum housing. Max length is 16'.
Precision machined steel endcaps.
Wire through connections.

Lens options

Snap-in polycarbonate lens, in your choice of clear or diffused.
Max length is 48".

Optics

Choice of standard, asymmetric or narrow beam.

End caps

Precision machined steel end caps.

Mounting

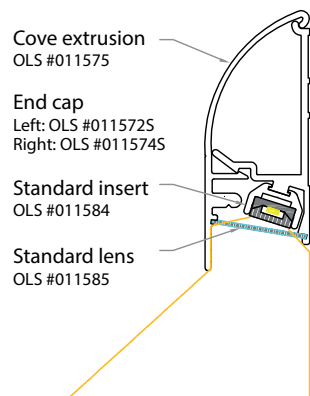
Surface or wall mounted with screws.

Finish

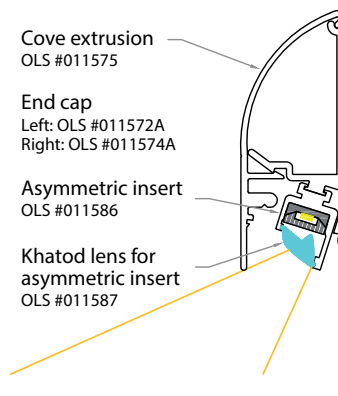
Anodized aluminum, White or Black polyester powder coat applied over a 5 stage pretreatment.
Custom colors at added cost.

Connectors

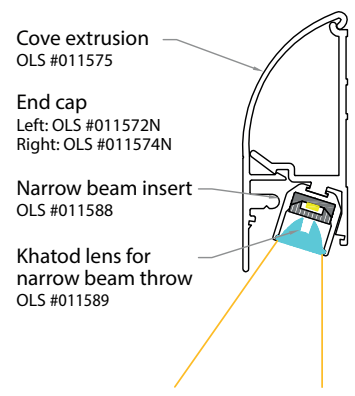
Mitered corners available, consult factory.



Standard Lens



Asymmetric Lens



Narrow Beam