



liniLED®
LED Illuminated Handrail
indoor / outdoor



liniLED® LED Illuminated Handrail

indoor / outdoor



The liniLED® Illuminated Handrail is a revolutionary LED-based handrail system, which simplifies installation through sophisticated design and the integration of continuous liniLED® Top, flexible 24V LED strip into the handrail. The liniLED® Illuminated Handrail meets the highest architectural standards for indoor and outdoor projects without compromise, for any application. liniLED® LEDs are highly energy efficient and ultra cool running, with an expected lifetime of more than 50,000 hours. Ideal for long lasting indoor and outdoor handrail solutions.

- AISI 316 Stainless Steel (also available in AISI 304 Stainless Steel)
- Energy efficient and dimmable
- Expected lifetime > 50-60,000 hours
- Indoor and outdoor
- Designed for quick and easy installation
- Uninterrupted lighting effect
- High-quality, flexible liniLED® Top LEDs
- Available in various colors and luminous intensities
- Two sizes; 1.66" (42.4 mm) or 1.90" (48.3 mm) diameter
- Manufactured in the US/EU
- ADA compliant
- 5-year limited warranty



high quality / energy efficient / innovative design

luminous intensities, light output & power

The liniLED® Illuminated Handrail (IP65) is a revolutionary illuminated handrail system, which integrates the energy efficient, cool running liniLED® LEDs in long continuous, seamless runs, with a lifetime of more than 50,000 hours. The LED strips are available in three white luminous intensities: low output (Deco 33-39 lm/ft); medium output (Power 113-122 lm/ft); high output (PSP 227-257 lm/ft): Warm White 2700K and 3000K, and Natural White 4000K. The Deco and Power versions are also available in the colors: red, green, blue and amber. Deco is available in RGB. Ensures color stability, color matching and exceptional efficacy, while our Plug and Play system design with approved components simplifies installation and specification.



Deco



Power

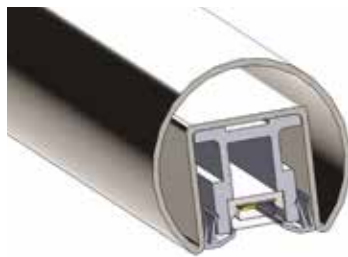


PSP

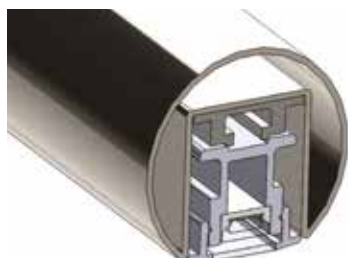
***NOTE** Please consult a professional electrician and handrail installer when installing the liniLED® Handrail on location.

indoor / outdoor

The liniLED® Illuminated Handrail is available as 1.1/4" pipe (1.66" / 42.4 mm diameter) and 1.1/2" pipe (1.90" / 48.3 mm diameter). Both may be applied indoor and outdoor.



round Ø 1.66" (42.4 mm)



round Ø 1.90" (48.3 mm)



cross section of the round handrail with LED strip

wall or post mounting and infill options

The liniLED® Illuminated Handrail can be wall mounted or post mounted*. All components are designed for quick installation and maintenance. Post mounted are available with several infill options, i.e., glass, cables, railings, etc.



wall mounting



post mounting



railing infill

quick & easy installation

The wall or post brackets are designed for quick and easy installation. As shown on the image below, the position of the bracket can be moved freely in the profile by sliding it to any position while retaining continuous illumination.

The wall brackets and baluster adapters are designed to move freely within the profile. When assembling the handrail, the position of the brackets and adapters can easily be modified. As shown on the image below, the power cables are fully integrated in the brackets and adapters.

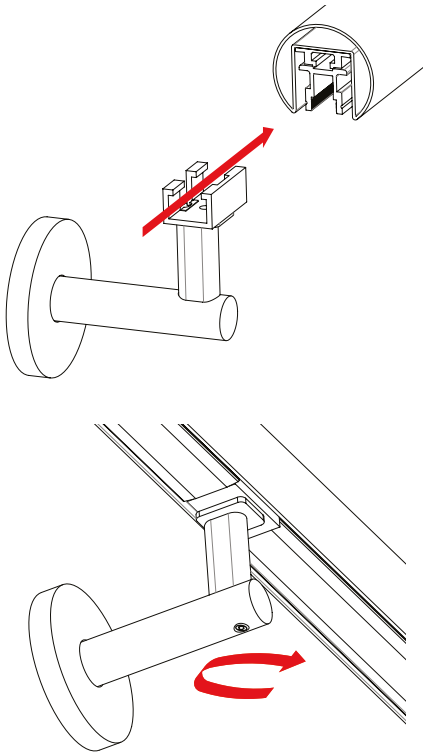


cross section
without power cables

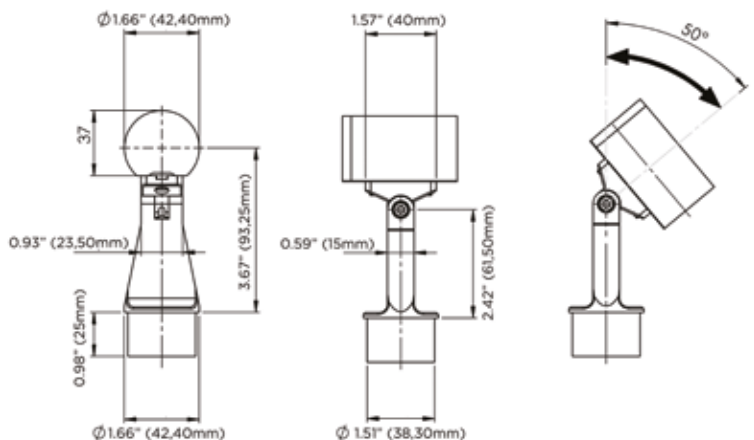
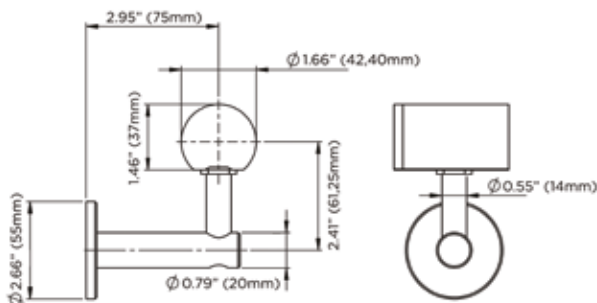
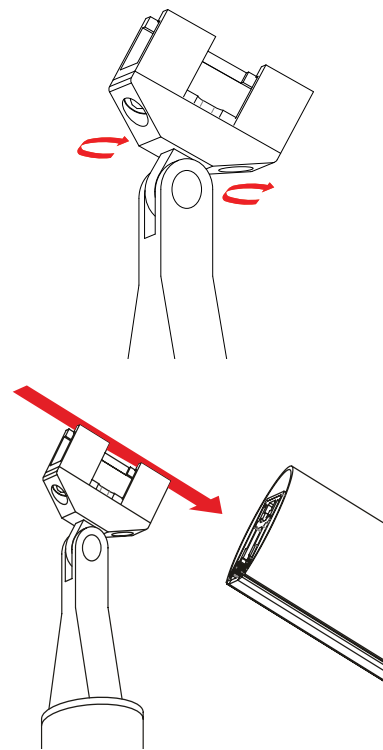


cross section
with power cables

wall installation



post installation



***NOTE** Post and wall bracket spacing/ height must be determined by a licensed architect or structural engineer as this will vary depending on local rules and guidelines.

liniLED® Illuminated Handrail

durable / luxurious / innovative design



infill options for post mounted

Post mounted are available with several infill options, including glass, cables, railings, etc.



glass infill



cable infill



glass illumination

standard & customized angles

There are three standard angles for the liniLED® Handrails: 45°, 90° and 120°. Other angles can be customized upon request.



45° angle



90° angle



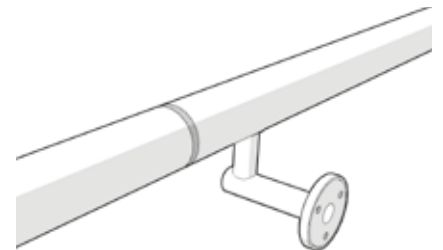
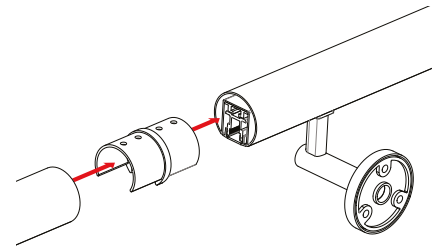
120° angle



customized
bending

connecting

The liniLED® Handrails can easily be connected with several connectors. One of our specialties is to translate ideas and requirements into customized solutions and to deliver the liniLED® Handrail pre-assembled*.



example of a
handrail connector

***NOTE** Please consult a professional electrician and handrail installer when installing the liniLED® Handrail on location.

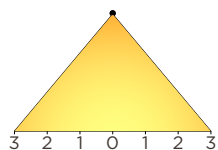
How to specify your energy efficient liniLED® LED Illuminated Handrail



As each lighting project is unique, all the components of the liniLED® LED Illuminated Handrail are professionally customized. Therefore, it is of great importance to provide fully dimensioned plans, DWG files and detailed drawings, in addition to the useful menu below.

liniLED® Illuminated Handrail Technical Information

Models	DECO low output		POWER medium output		PSP high output	
LEDs / ft	11		11		37	
Lumen Output / ft	33-39 lumen/ft (112 lm/m)		113-122 lumen/ft (368 lm/m)		227-257 lumen/ft (741 lm/m)	
Watts / ft	1 W/ft (3.3 W/m)		1.28 W/ft (4.6 W/m)		2.89 W/ft (9.7 W/m)	
CRI	85-90		85-90		85-90	
Max. single run	66 ft (20 m)		33 ft (10 m)		33 ft (10 m)	
Environment	<input type="radio"/> Indoor	<input type="radio"/> Outdoor	<input type="radio"/> Indoor	<input type="radio"/> Outdoor	<input type="radio"/> Indoor	<input type="radio"/> Outdoor
Mounting	<input type="radio"/> Wall	<input type="radio"/> Post	<input type="radio"/> Wall	<input type="radio"/> Post	<input type="radio"/> Wall	<input type="radio"/> Post
Infill (Post mounting)	<input type="radio"/> Glass	<input type="radio"/> Railing	<input type="radio"/> Glass	<input type="radio"/> Railing	<input type="radio"/> Glass	<input type="radio"/> Railing
	<input type="radio"/> Cables	<input type="radio"/> Custom	<input type="radio"/> Cables	<input type="radio"/> Custom	<input type="radio"/> Cables	<input type="radio"/> Custom
Size/Diameter	<input type="radio"/> 1.66" (42.4 mm)		<input type="radio"/> 1.66" (42.4 mm)		<input type="radio"/> 1.66" (42.4 mm)	
	<input type="radio"/> 1.90" (48.3 mm)		<input type="radio"/> 1.90" (48.3 mm)		<input type="radio"/> 1.90" (48.3 mm)	
Material	<input type="radio"/> AISI 316 Stainless Steel		<input type="radio"/> AISI 316 Stainless Steel		<input type="radio"/> AISI 316 Stainless Steel	
	<input type="radio"/> AISI 304 Stainless Steel		<input type="radio"/> AISI 304 Stainless Steel		<input type="radio"/> AISI 304 Stainless Steel	
Colors	<input type="radio"/> Warm White 3000K		<input type="radio"/> Warm White 2700K		<input type="radio"/> Warm White 2700K	
	<input type="radio"/> Warm White 4000K		<input type="radio"/> Warm White 3000K		<input type="radio"/> Warm White 3000K	
	<input type="radio"/> RGB		<input type="radio"/> Natural White 4000K		<input type="radio"/> Natural White 4000K	
	<input type="radio"/> Custom colors available		<input type="radio"/> Custom colors available		<input type="radio"/> Custom colors available	
Bends	<input type="radio"/> 45° x _____ (qty)		<input type="radio"/> 45° x _____ (qty)		<input type="radio"/> 45° x _____ (qty)	
	<input type="radio"/> 90° x _____ (qty)		<input type="radio"/> 90° x _____ (qty)		<input type="radio"/> 90° x _____ (qty)	
	<input type="radio"/> 120° x _____ (qty)		<input type="radio"/> 120° x _____ (qty)		<input type="radio"/> 120° x _____ (qty)	
	<input type="radio"/> Custom		<input type="radio"/> Custom		<input type="radio"/> Custom	
Total length	<input type="radio"/> _____ ft.		<input type="radio"/> _____ ft.		<input type="radio"/> _____ ft.	

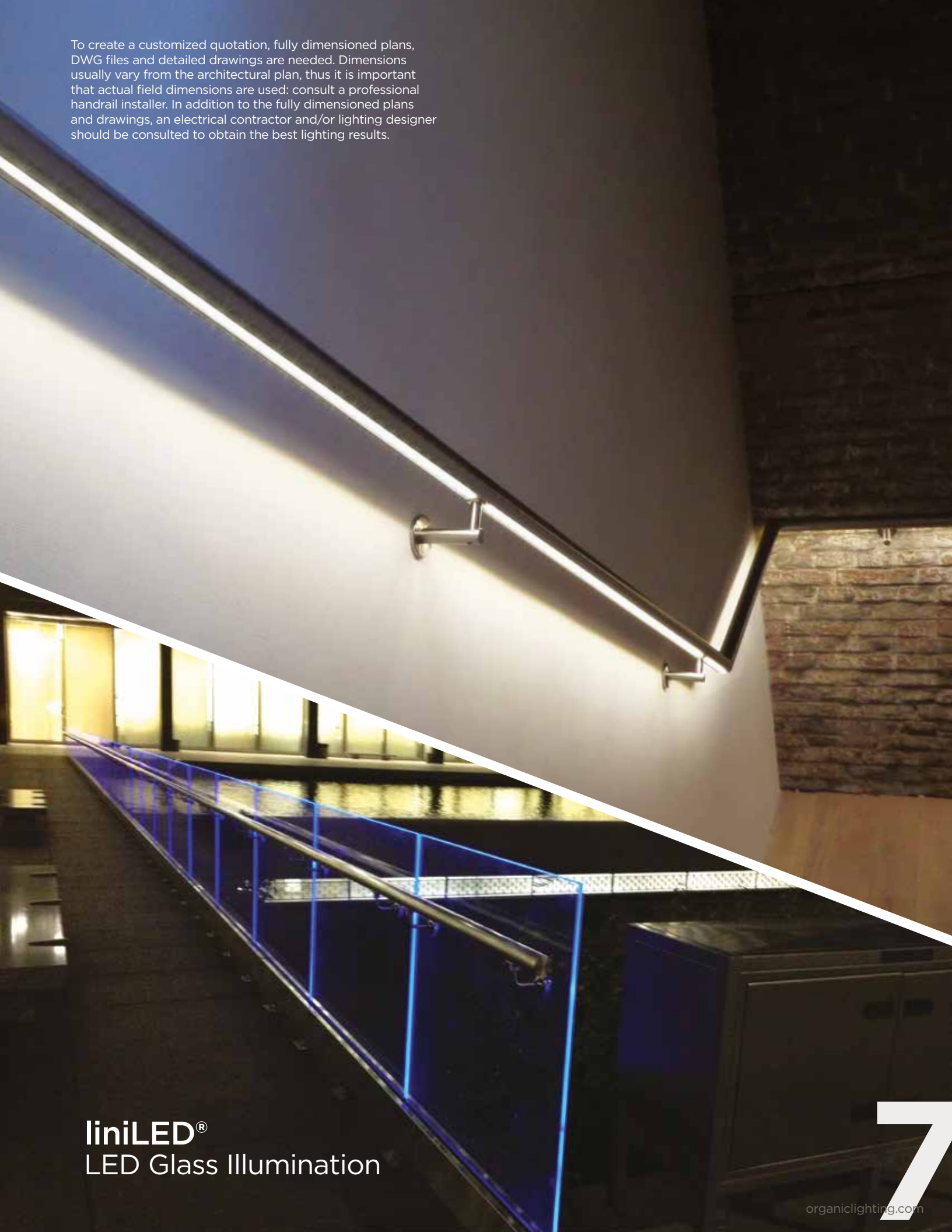


liniLED® Illuminated Handrail Typical Fc. levels

	Height	0	1'	2'	3'	4'
Deco 3000K	34.5"	4.67	3.42	1.75	0.913	0.363
	40.5"	3.5	2.76	1.64	0.919	0.494
Deco 4000K	34.5"	5.44	3.97	2.17	1.07	0.488
	40.5"	4.26	3.32	2.02	1.12	0.589
Deco RGB	34.5"	5.53	3.94	2.08	1.03	0.5
	40.5"	4.35	3.38	2.01	1.13	0.575
Power 2700K	34.5"	16.7	12.5	6.08	2.77	1.01
	40.5"	12.5	10.1	5.74	3.06	1.39
Power 3000K	34.5"	17.1	12.3	7.09	2.12	0.629
	40.5"	13.1	10.3	6.4	3.45	0.934
Power 4000K	34.5"	18.1	13.6	7.19	3.39	1.14
	40.5"	13.9	11.2	6.82	3.87	1.6

	Height	0	1'	2'	3'	4'
PSP 2700K	34.5"	30	21	11.2	5.67	1.86
	40.5"	21.8	16.6	10	5.88	2.74
PSP 3000K	34.5"	26.6	20	10.4	5.23	1.53
	40.5"	21.1	17	9.8	5.88	2.62
PSP 4000K	34.5"	30.9	22.5	13.2	5.29	1.12
	40.5"	22.6	17.8	11.2	6.6	1.95

To create a customized quotation, fully dimensioned plans, DWG files and detailed drawings are needed. Dimensions usually vary from the architectural plan, thus it is important that actual field dimensions are used: consult a professional handrail installer. In addition to the fully dimensioned plans and drawings, an electrical contractor and/or lighting designer should be consulted to obtain the best lighting results.



liniLED®
LED Glass Illumination



ORGANIC LIGHTING®
SYSTEMS

626.969.6140 f 626.609.4288
sales@organiclighting.com

www.organiclighting.com

/ Airports / Train & Metro Stations / Shopping Centers / Theaters & Cinemas / Docks & Parks / Hotels / Pedestrian areas / Hospitals & Health industry / Offices / Sport Stadiums / Private Residences / Universities & High Schools