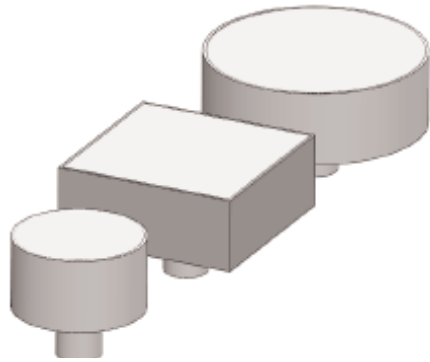
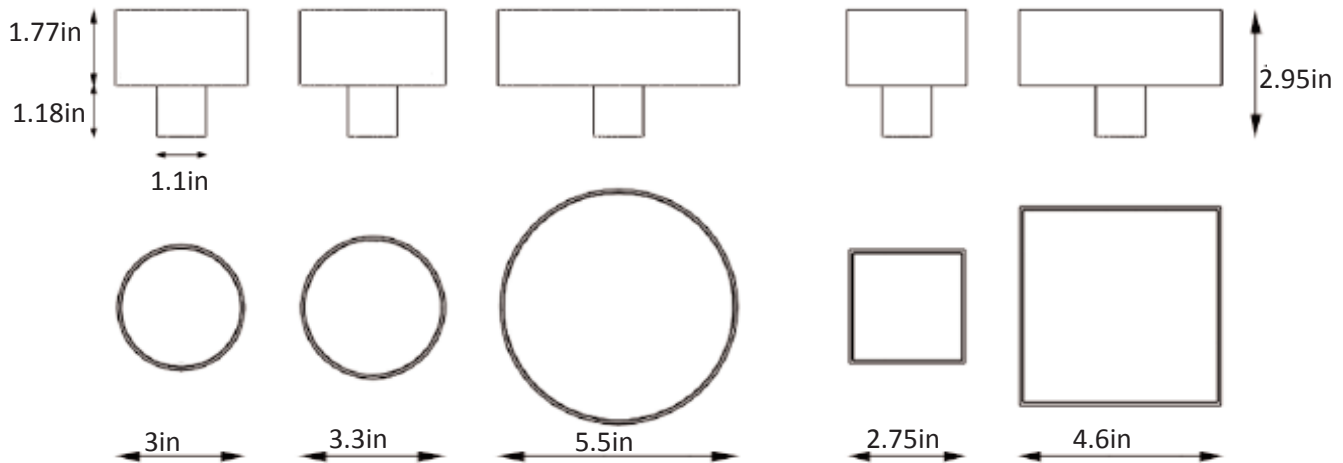


DATASHEET



Marker Lights are designed to create spots of accent lighting. A low energy liniLED strip is encapsulated in a cast polyurethane resin within epoxy coated 316 stainless steel with IP67 connectors, creating diffused spots of light suitable for streetscapes or drive over applications ~ 3,000lbs. The non-slip surface adds to their multiple purpose capability. Marker Lights come in a wide range of colors and are available in different sizes, including square and round shapes.

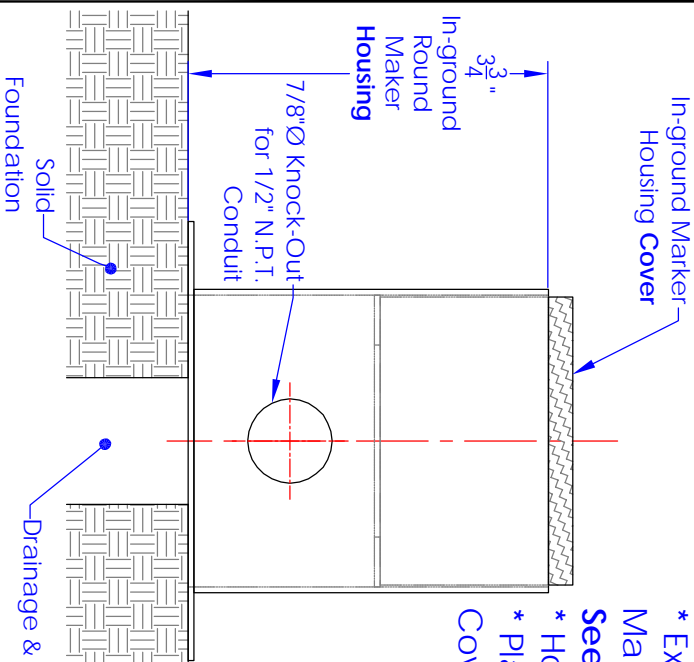


Marker Lights

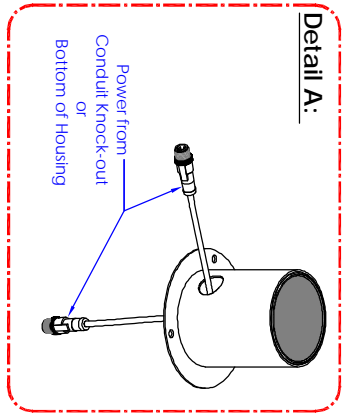
PU Power Connector

Dimensions	See diagram above	Cord Length	16'6", 32'6"
Power	1W - 3W each	Weight	6oz.
Degree of protection (IP)	Wet Connector IP67, IP68	Product Code	Description
Material	Stainless Steel 316, PU inground, liniLED	014530	PU Power Connector Mono 16'6"
Trim	White	014507	PU Power Connector Mono 32'6"
Weight	1 - 2.5lbs	014531	PU Power Connector RGB 16'6"
Deco < 1W/fixture:	3000K, 4000K, 6500, RGB, Red, Green, Blue, Amber	014517	PU Power Connector RGB 32'6"
Power < 1.3W/fixture:	2700K, 3000K, 4000K, 6500K	014508	PU Extension Cord Mono 16'6"
PSP < 3W/fixture:	2700K, 3000K, 4000K, 6500K	014509	PU Extension Cord Mono 32'6"
		014518	PU Extension Cord RGB 16'6"
		014519	PU Extension Cord RGB 32'6"
		014510	PU Splitter

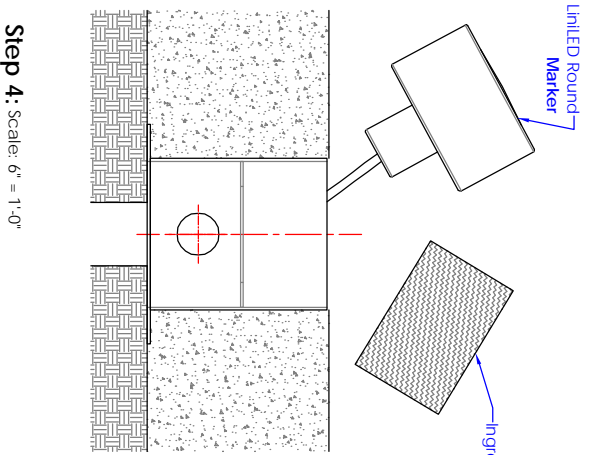
Step 1: Scale: 6" = 1'-0"



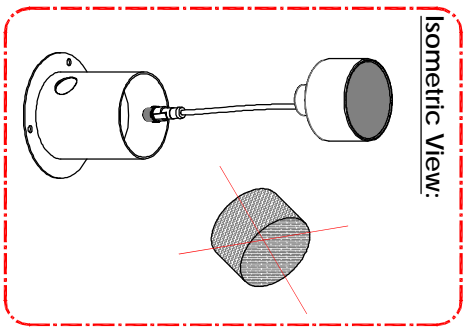
- * Excavate soil for "In-ground Marker Housing" and conduit Run. See **Detail A.**
- * Housing to sit on Solid Foundation.
- * Place "In-ground Maker Housing Cover" on housing.



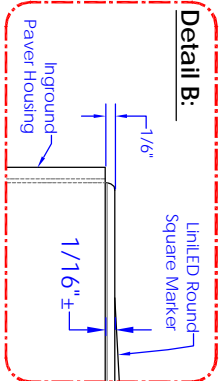
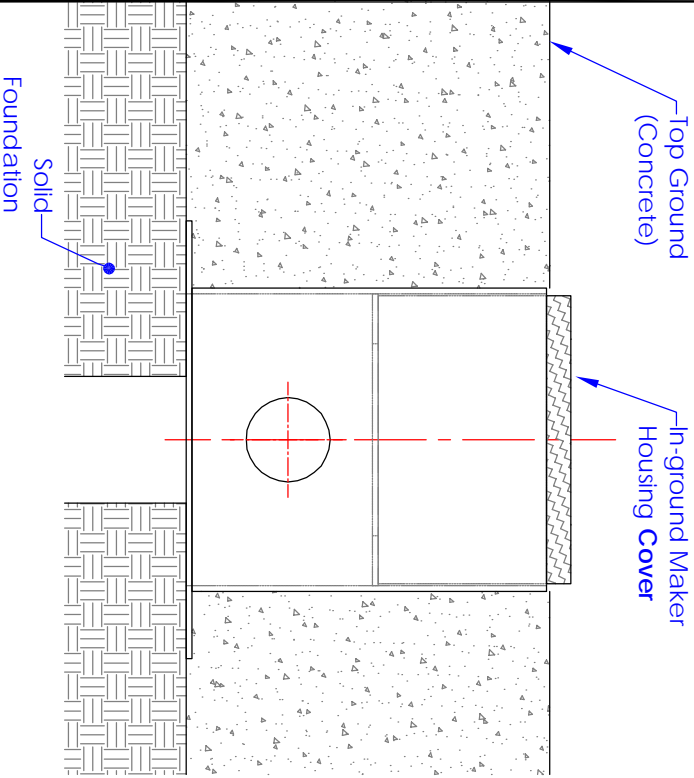
Step 3: Scale: N.T.S.



- * Remove cover.
- * Install Maker

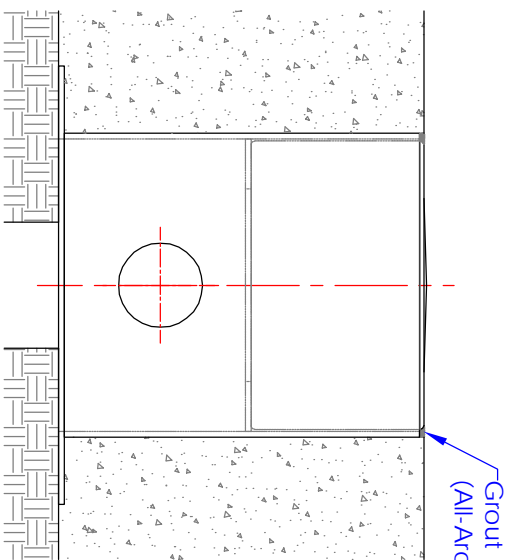


Step 2: Scale: 6" = 1'-0"



- * Surround "Housing" by Top Ground.
- * Level Top Ground appropriately.
- Note: Marker to project from Housing approximately $\frac{1}{16}$ ".
- See **Detail B.**
- * Cover to prevent any debris from entering housing.

Step 4: Scale: 6" = 1'-0"



- * Grout (all-around) as shown.

PROPRIETARY & CONFIDENTIAL

SPECIFICATIONS are subject to change in accordance with improvements & technical innovation. THE INFORMATION contained in this drawing is the SOLE PROPERTY of ORGANIC LIGHTING SYSTEMS any reproduction in part or as a whole without the written permission of ORGANIC LIGHTING SYSTEMS is PROHIBITED.

PROHIBITED

NAME	DATE
EO	03/04/15
DRAWN BY:	
CHECKED	
ENG REVISION	
MATERIAL:	
FINISH:	
UNLESS OTHERWISE SPECIFIED:	
DIMENSIONS ARE IN INCHES	
TOLERANCES:	
FRAGMENTAL ± 1/16	
ANGULAR MATCH ± 0.5 BEND ± 0.03	
TWO PLACE DECIMAL ± 0.03	
THREE PLACE DECIMAL ± 0.015	
ORDER #	-

5111 N. Virginia Ave.
Azusa, Ca. 91702 USA
Ph. 626.969.6820 Fax 626.696.6830
Web: organiclighting.com

ORGANIC LIGHTING SYSTEMS

TITLE:
Round Marker & Housing Installation

SCALE: Varies
SHEET 1 OF 1