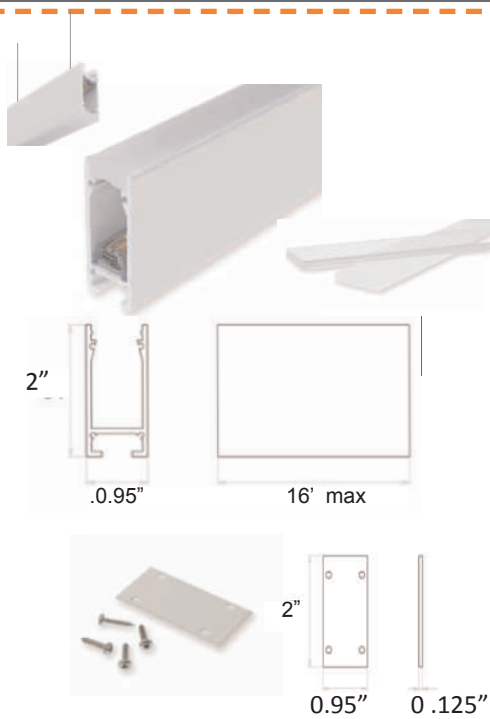


## DATASHEET



Decorative paint finished Line extrusions can be mounted on surfaces, in walls, floors, in shallow recesses, or invert and suspend from adjustable aircraft cable as a minimalist light diffusing housing for liniLED strip.

Simply drill and screw the profile directly to a structure. Frosted or Clear 3/16" thick heavy duty lenses with machined grooves push securely in place for a flush finish.

Fix short sections of the cuttable self adhesive liniLED PC Mounting channel into the profile and you have a perfect line of continuous light for up to 66 ft with liniLED Deco, 33Ft with liniLED Power or 33ft with liniLED PSP, without shadows or breaks.

Push in pins and connection brackets on the back enable alignment of connected lengths for a seamless look.

Miter sections for 90° bends and connect liniLED with miniature 90° "L" power connectors, which fit flush inside the extrusion



### 1" Line Extrusion

### Acrylic Lens

Dimensions	W0.95"xH2"
Material	Aluminum
Trim	White (RAL9010) Polyester
Length	16' max
Weight	9oz per ft
To be used with	liniLED, 1" Acrylic Lens, 1" End Cap 1" Mounting Clips

Dimensions	W0.5"xH0.198"
Material	Clear or Frosted Acrylic
Length	9'9"
Weight	2oz per ft

Product code	Description
010982	1" Line Profile, White
010969	1" End Cap, White Blank
010969H	1" End Cap, White with Power Hole
010969S	1" End Cap, White with liniLED Exit Slot
010977	1" Mounting Clip
010959	1" Frosted Lens
010966	1" Clear Lens